

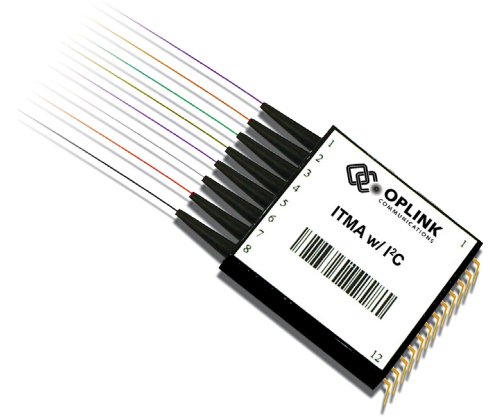
INTEGRATED TAP MONITOR ARRAYS W/ I²C INTERFACE

ITMA Series

Product Description

Oplink's Integrated Tap Monitor Array (ITMA) w/ I²C interface is a compact, multi-channel power-monitoring module. Functions of power reading, alarm and threshold setting are provided at firmware command level thru I²C interface. There is no hardware design, firmware programming or PD calibration work for user anymore, which greatly relieves user from heavy work load of design and manufacturing and provides great cost saving.

Oplink can provide customized designs to meet specialized feature applications. Also, Oplink offers modular assemblies that integrate other components to form a full function module or subsystem.



Performance Specification

Parameters		Specification	Unit	
Operating Wavelength Range		1525 ~ 1610	nm	
Through	Insertion Loss	2%	≤ 0.4	
		5%	≤ 0.6	
		10%	≤ 0.9	
	Polarization Dependent Loss	≤ 0.1	dB	
Return Loss		> 45	dB	
Tapped Monitoring	Power monitoring accuracy (@25°C 1550nm, normal input power)	± 0.5	dB	
Conditions	Input Optical Power	- 30 to +10	dBm	
	Operating Temperature Range (<90%RH, Non-condensing)	-5	+70	°C
	Storage Temperature Range (<90%RH, Non-condensing)	-40	+85	°C
Fiber Type		SMF-28		

Notes:
* Within λ_{Op}, T_{Op}, All SOP, exclude connector

Electrical Pin Out

Pin #	I/O	Name	Description
1	I	VCC	4.75~5.25V, Power(max 0.3A)
2	I	GND	Ground
3	I	A0	Slave I ² C address offset 0 (3.3V LVTTTL)
4	I	A1	Slave I ² C address offset 1 (3.3V LVTTTL)
5	I	A2	Slave I ² C address offset 2 (3.3V LVTTTL)
6	I	A3	Slave I ² C address offset 3 (3.3V LVTTTL)
7	I	A4	Slave I ² C address offset 4 (3.3V LVTTTL)
8	I/O	SCL	I ² C Clock (LVTTTL), with no Pull-up & Pull-down Resistor in module
9	I/O	SDA	I ² C Data (LVTTTL), with no Pull-up & Pull-down Resistor in module
10	I	RESET	HW Reset, Active low(LVTTTL)

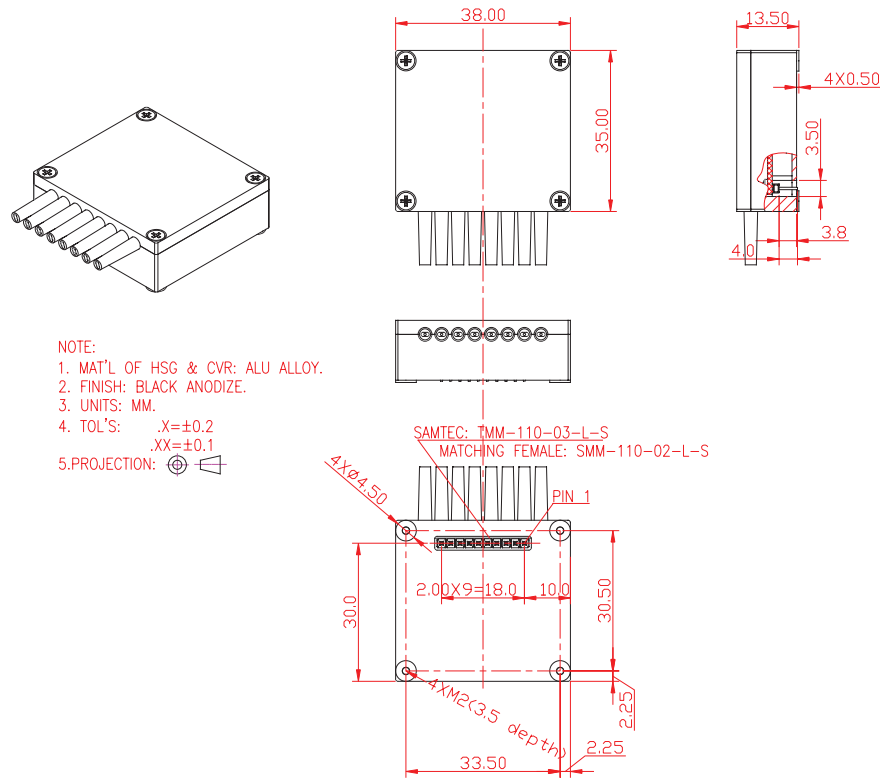
Features

- ◆ I²C interface
- ◆ Wide dynamic range
- ◆ High accuracy
- ◆ Low IL and wide wavelength range

Applications

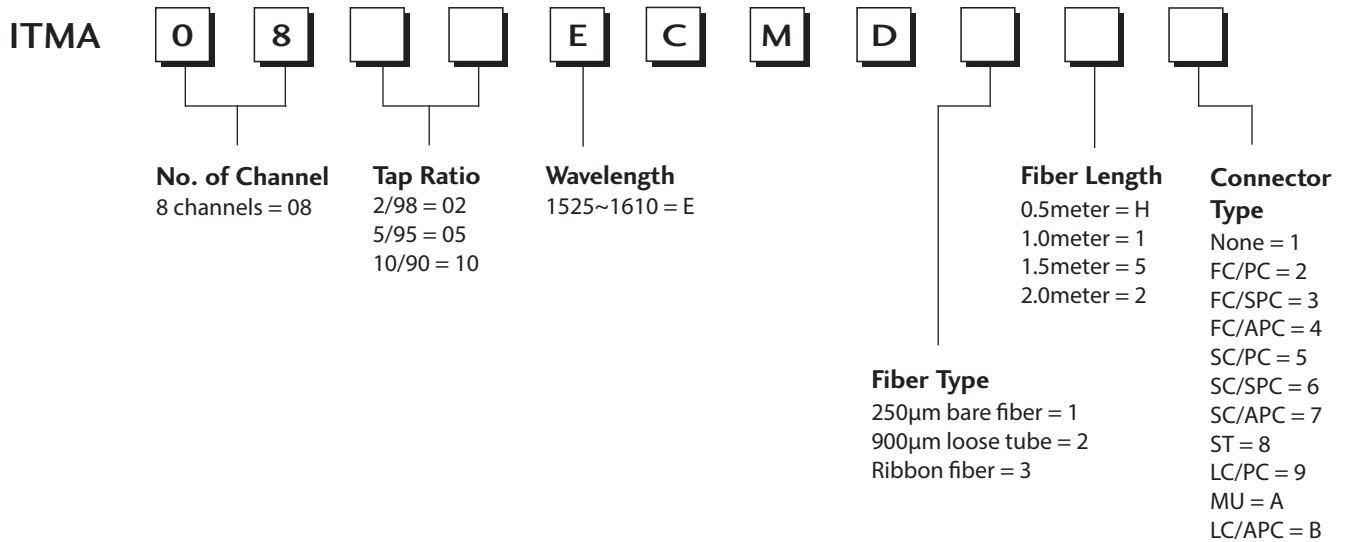
- ◆ EDFA and Raman amplifiers
- ◆ Optical protection
- ◆ ROADM
- ◆ Instrumentation

Mechanical Drawing / Package Dimensions (dimension in mm)



Ordering Information

Oplink can provide a remarkable range of customized optical solutions. For detail, please contact Oplink's OEM design team or account manager for your requirements and ordering information (510) 933-7200.



* The tolerance of fiber length is +/-0.1m.
* 1 meter is standard. The lead time for special fiber length will be longer.