

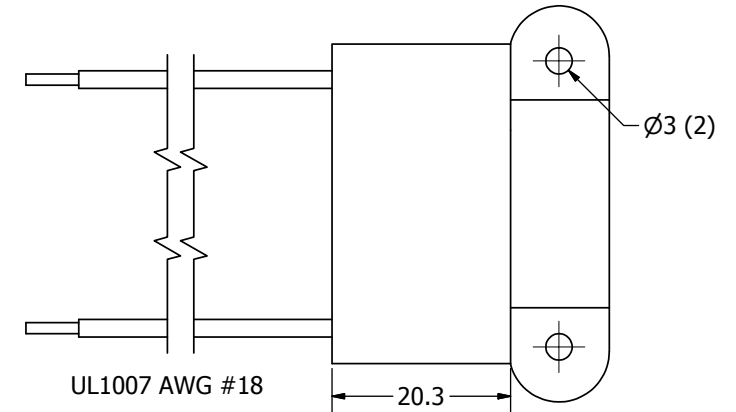
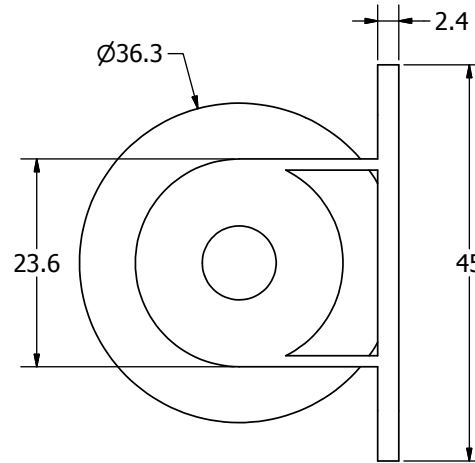
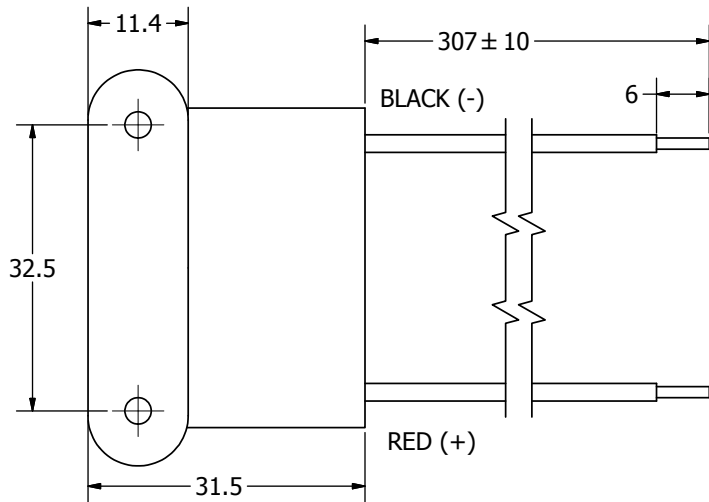
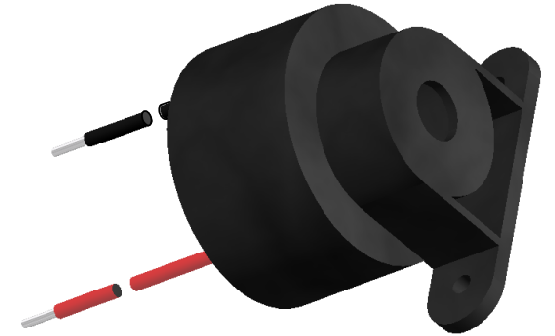
SPECIFICATIONS

PARAMETERS	VALUES	UNITS
RATED VOLTAGE	48	Vdc
OPERATING VOLTAGE RANGE	9 ~ 48	Vdc
RATED CURRENT (MAX)	15	mA
MINIMUM SPL @ 10 CM	88	dBA
RESONANT FREQUENCY	2,900 ± 250	Hz
tone OR PULSE RATE	CONTINUOUS	0 pulse /sec
OPERATING TEMPERATURE	-20 ~ +65	°C
STORAGE TEMPERATURE	-40 ~ +85	°C
HOUSING MATERIAL	PBT	-
TERMINAL MATERIAL	LEAD WIRE	-
WEIGHT	28.2	grams

THIS DOCUMENT CONTAINS DATA PROPRIETARY TO PROJECTS UNLIMITED, INC. ANY USE OR REPRODUCTION, IN ANY FORM, WITHOUT PRIOR WRITTEN PERMISSION OF PROJECTS UNLIMITED, INC. IS PROHIBITED.
©2003, Projects Unlimited Inc.

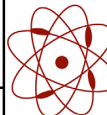
REVISION HISTORY

LTR	DESCRIPTION	DATE	APPROVED
-	RELEASED FROM ENGINEERING	1/17/2007	
A	REVISED SPL	1/17/2008	B.R.
B	REVISED TO INVENTOR 3-D DRAWING TEMPLATE	2/26/2008	B.R.



NOTES:

1. ALL DIMENSIONS ARE IN MILLIMETERS.
2. SPECIFICATIONS SUBJECT TO CHANGE OR WITHDRAWAL WITHOUT NOTICE.
3. THIS PART IS RoHS 2002/95/EC COMPLIANT.

UNLESS OTHERWISE SPECIFIED: DIMENSIONS ARE IN MILLIMETERS, TOLERANCES ARE ±0.5 AND ANGLES ARE ±3°.	SIZE A3	Designed by	Date	Checked by	Date	Approved by	Date	Drawn Date
		J.D.	1/17/2007	D.F.	1/18/2007	R.W.	1/18/2007	2/26/2008
AI-3629-SF-LW307-R.idw		 pui audio a projects unlimited company				AI-3629-SF-LW307-R Indicator		
						Edition	Sheet	
						-	1 / 1	