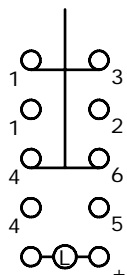
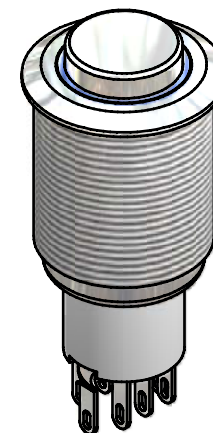
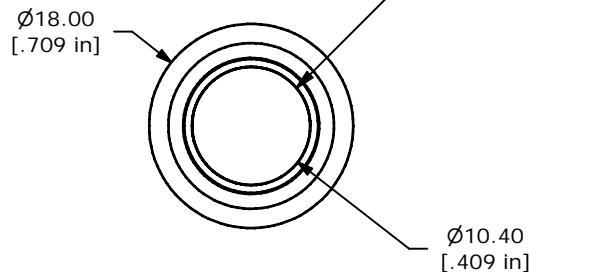


PANEL CUTOUT
MAX. PANEL THICKNESS
14.0mm [.551]

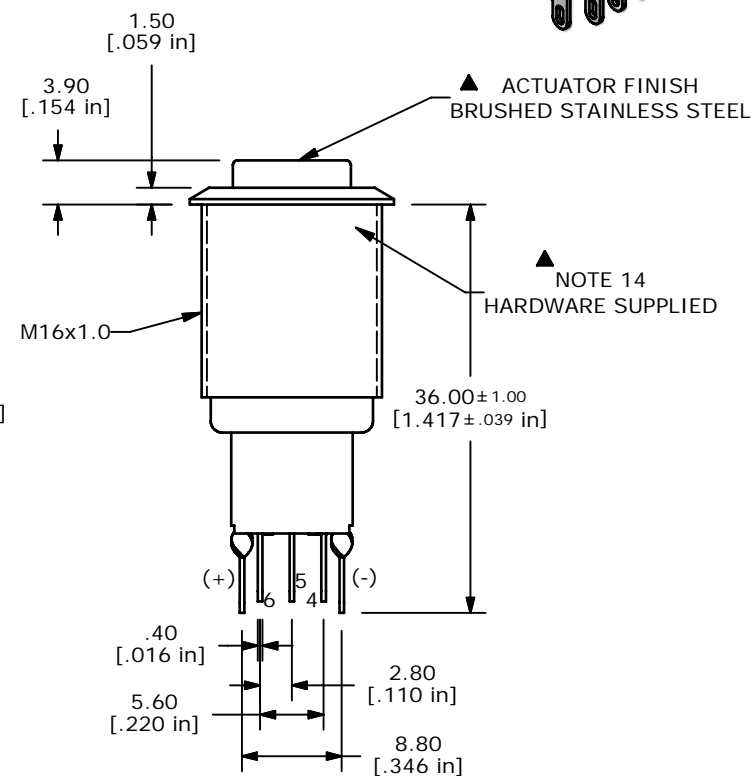
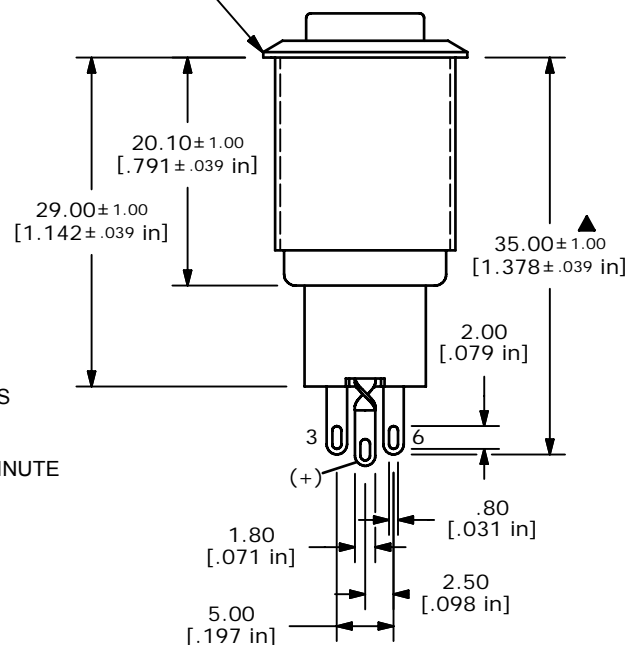
SWITCH FUNCTION	
POS. 1	POS. 2
ON	(ON)
1-3, 4-6	1-2, 4-5

(ON) = MOMENTARY



DPDT
CONTACT CONFIGURATION

▲
BODY FINISH
BRUSHED STAINLESS STEEL



- NOTE:
- ALL DIMENSIONS IN MM [INCH]
 - GENERAL TOLERANCE: X.X=±0.4
X.XX=±0.25
 - TERMINAL NUMBERS FOR REF ONLY
 - CONTACT MATERIAL: SILVER
 - RATING: 2A 48VDC
 - ELECTRIC LIFE: 50,000 MAKE-AND-BREAK CYCLES AT FULL LOAD.
 - INSULATION RESISTANCE: 1,000 MΩ MIN.
 - DIELECTRIC STRENGTH: 2,000 VAC MIN. FOR 1 MINUTE
 - CONTACT RESISTANCE: 50mΩ MAX. @ 1A 12VDC
 - OPERATING TEMP.: -20°C to 55°C
 - ▲ DENOTES CRITICAL PARAMETER.
 - LAMP VOLTAGE: 20mA, 24V
 - ▲13. ILLUMINATION COLOR: BLUE
 - ▲14. HARDWARE SUPPLIED: O-RING AND HEXNUT
 - ▲15. INGRESS RATING: IP67
 - 2002/95/EC (ROHS) COMPLIANT



TITLE PV3WH2H0BB-345

A	20651	New Release	6/19/2012	rc
REV	PCR NO	DESCRIPTION	DATE	BY

THE INFORMATION CONTAINED IN THIS DOCUMENT IS PROPRIETARY TO E-SWITCH AND IS NOT TO BE COPIED OR TRANSFERRED

SCALE	DATE	DR	DWG	REV
1.5:1	6/19/2012	rc	52-PV3WH2H0BB345	A