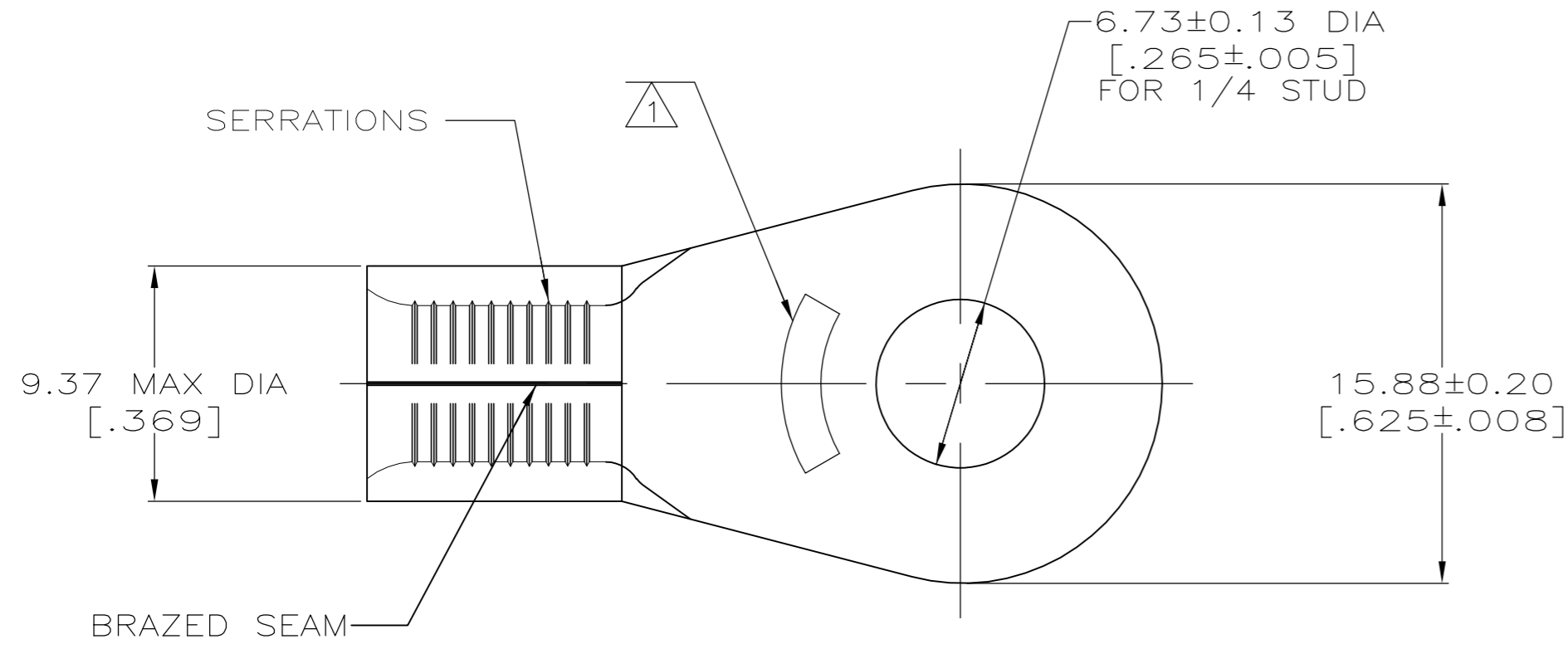


THIS DRAWING IS UNPUBLISHED. RELEASED FOR PUBLICATION
 © COPYRIGHT BY TYCO ELECTRONICS CORPORATION. ALL INTERNATIONAL RIGHTS RESERVED.

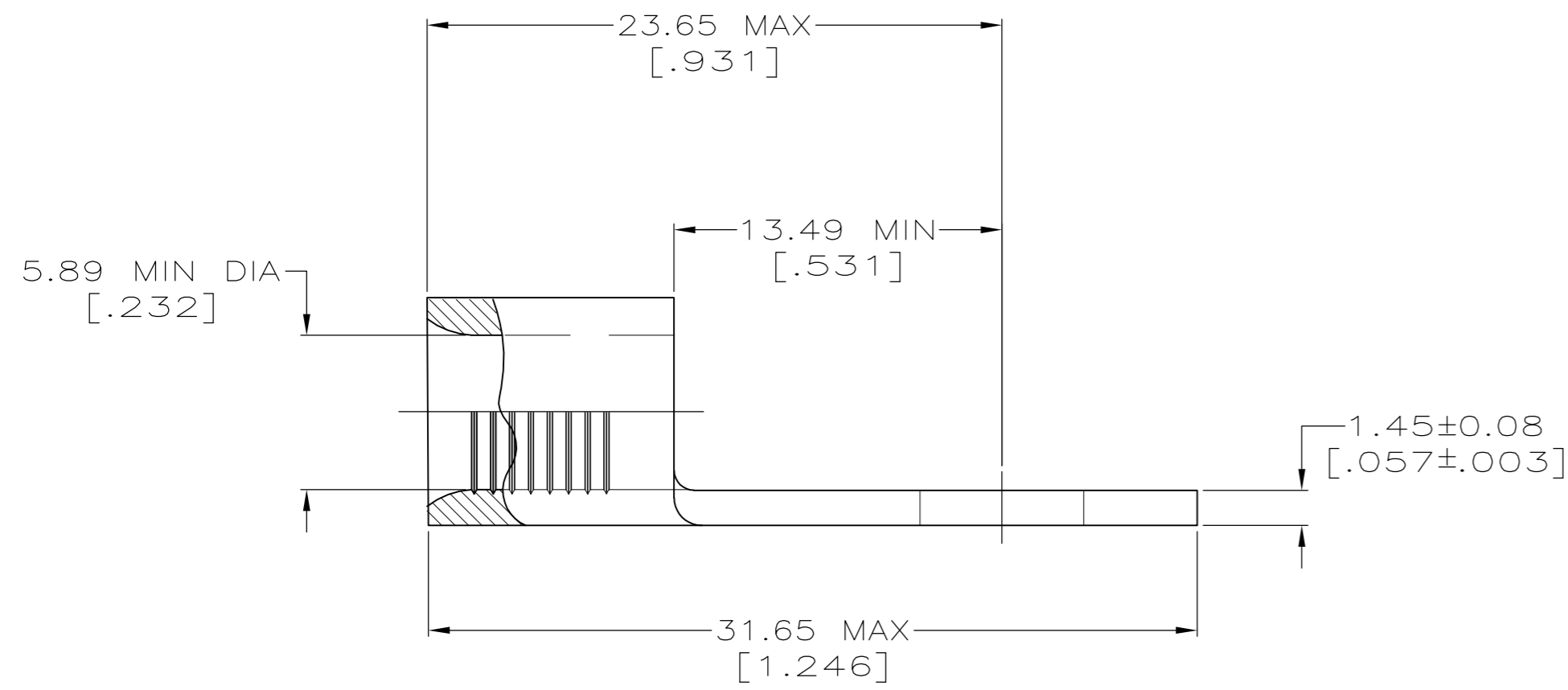
| LOC | DIST | REVISIONS | | | | | |
|-----|------|-----------|-----|-----------------------|---------|-----|------|
| | | P | LTR | DESCRIPTION | DATE | DWN | APVD |
| G | 14 | A | | REL PER ECR 08-029837 | 03DEC08 | JR | TM |



AMP
WIRE RANGE

6 AWG
STRANDED

- ① STAMP AMP 6* APPROX AS SHOWN
- ② MATERIAL: BODY - CU PER ASTM B152, ANNEALED
- ③ FINISH: NICKEL PLATE 0.00762 [.000300] MIN THK PER QQ-N-290.



| | | |
|-----|--------------|-----------|
| 100 | LOOSE PIECE | 1958285-1 |
| QTY | PACKAGE TYPE | PART NO. |

| | | | | | | | | | | | | | | | |
|--|--|---|--|--|--|--|--|---|--|---|--|-------------------------|--|--------------------|--|
| AMP INCORPORATED CUSTOMER SERVICE SYSTEMS | | MAX RECOMMENDED OPERATING TEMPERATURE: 343°C MAX | | THIS DRAWING IS A CONTROLLED DOCUMENT. | | DWN JR RUTH 05NOV08 CHK T MICHIELUTTI 05NOV08 | | Tyco Electronics Corporation Harrisburg, PA 17105-3608 | | | | | | | |
| | | FOR ADDITIONAL PRODUCT INFORMATION OR COPIES OF DRAWINGS AND TECHNICAL DOCUMENTS PRODUCT INFORMATION CENTER 1-800-522-6752 | | VOLTAGE RATING: N/A | | DIMENSIONS: MM [INCHES] | | TOLERANCES UNLESS OTHERWISE SPECIFIED: 0 PLC ± - 1 PLC ± - 2 PLC ± - 3 PLC ± - 4 PLC ± - ANGLES ± - | | NAME T MICHIELUTTI 05NOV08 PRODUCT SPEC APPLICATION SPEC | | | | | |
| FOR APPLICATION TOOLING ASSISTANCE CENTER TOOLING INFORMATION 1-800-722-1111 | | CIRCULAR MIL AREA: 10.5-16.8mm² [20,800-33,100] STRANDED | | MATERIAL - ② | | FINISH - ③ | | SIZE A2 | | CAGE CODE 00779 | | DRAWING NO C=1958285 | | RESTRICTED TO - | |
| FOR ORDER ENTRY 1-800-526-5142 | | THIS DRAWING IS A CONTROLLED DOCUMENT FOR AMP INCORPORATED. IT IS SUBJECT TO CHANGE AND THE CONTROLLING ENGINEERING ORGANIZATION SHOULD BE CONTACTED FOR THE LATEST REVISION. | | CUSTOMER DRAWING | | SCALE 4:1 | | SHEET 1 of 1 | | REV A | | | | | |