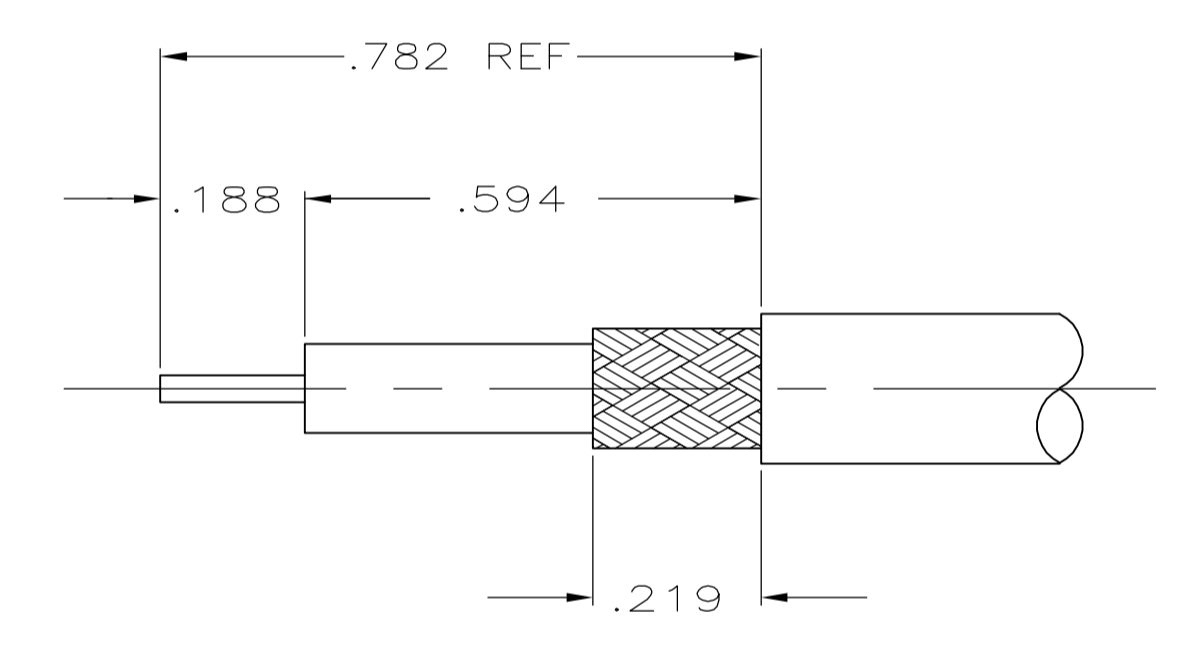
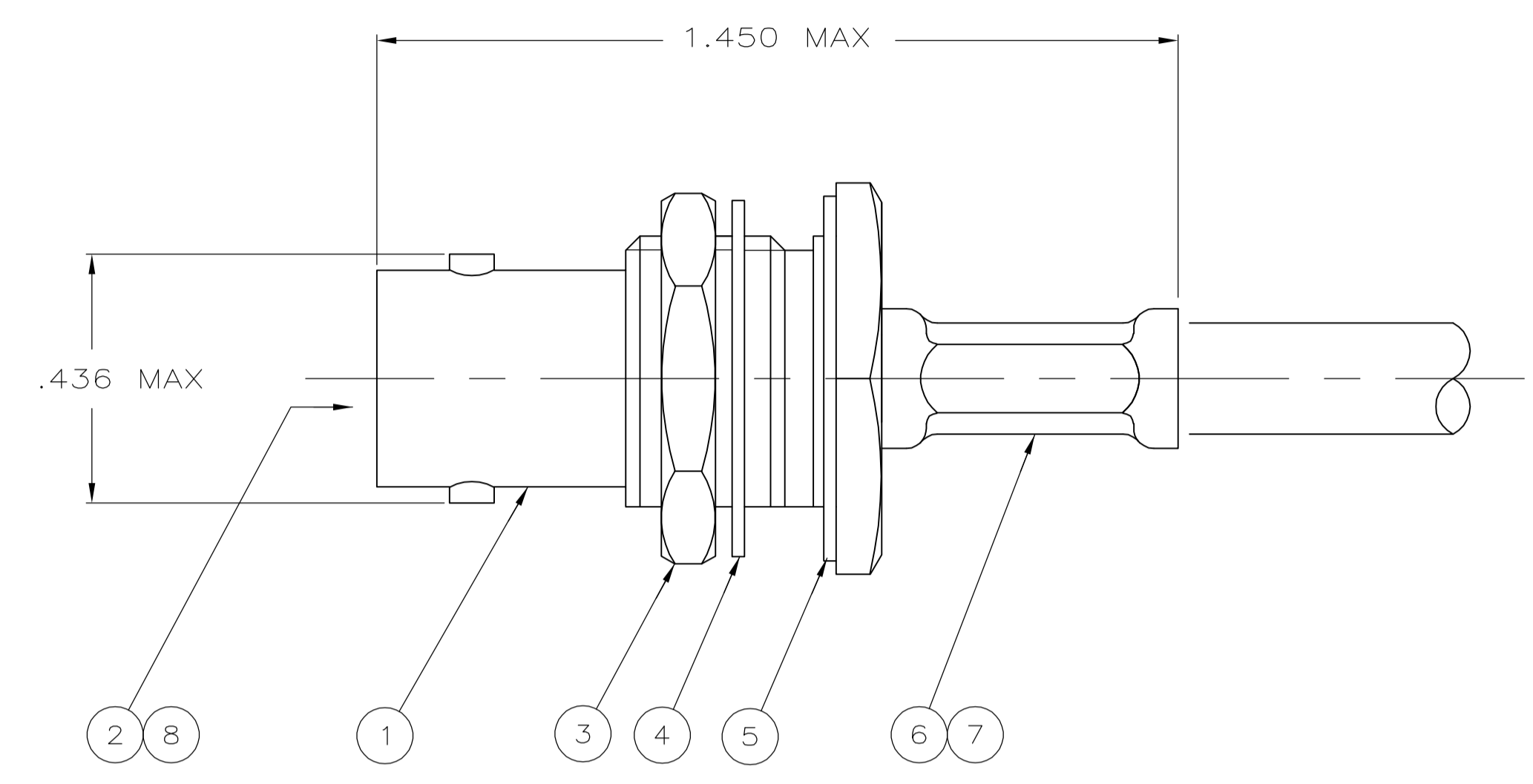
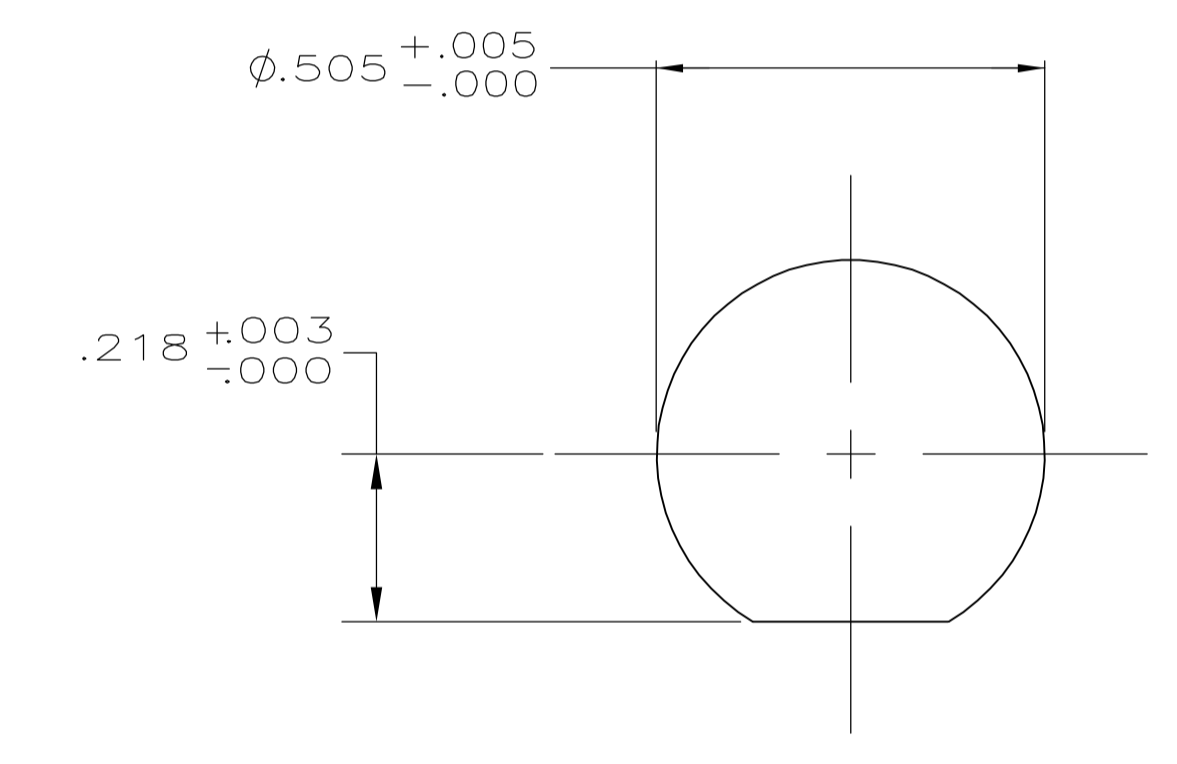


△ USE WITH PRO-CRIMPER 354940-1
 2. SEE INSTRUCTION SHEET 408-9780



RECOMMENDED STRIP LENGTH



SUGGESTED PANEL CUTOUT

RG-174, RG-188 & RG-316	.068	.178	58436-3	227194-3	9-413658-0	329633	1-329632-2	1-329631-2	1-413774-5	413772-3	5413771-3
RG-58/U, 58A/U, 58B/U, 58C/U & BELDEN 88240	.068	.213	58436-1	-	9-221132-0	329633	1-329632-2	1-329631-2	413774-5	413772-1	5413771-1
FOR USE WITH CABLE	CONTACT CRIMP (HEX)	FERRULE CRIMP (HEX)	DIE SET △1	⑦ TUBING QTY=1	⑥ FERRULE QTY=1	⑤ GASKET QTY=1	④ LOCKWASHER QTY=1	③ JAM NUT QTY=1	② CONTACT QTY=1	① JACK ASSEMBLY QTY=1	PART NUMBER

THIS DRAWING IS A CONTROLLED DOCUMENT.

DIMENSIONS: INCHES	TOLERANCES UNLESS OTHERWISE SPECIFIED:	DWG: A. FERNANDEZ-DOCK5	DATE: 22APR2005	DESIGNED BY: J. HAVENER	DATE: 22APR2005	APPROVED BY: J. LIPPERT	DATE: 22APR2005	NAME: J. LIPPERT	PRODUCT SPEC: JACK, BULKHEAD, HEX CRIMP, COMMERCIAL BNC
0 PLC ± -	1 PLC ± -	2 PLC ± -	3 PLC ± .016	4 PLC ± -	ANGLES ± -	MATERIAL: -	FINISH: -	WEIGHT: -	RESTRICTED TO: -
CUSTOMER DRAWING		SIZE: A1	CAGE CODE: 00779	DRAWING NO: 5413771	SCALE: 4:1	SHEET: 1 OF 1	REV: A1		

tyco Electronics Tyco Electronics Corporation Harrisburg, PA 17105-3608