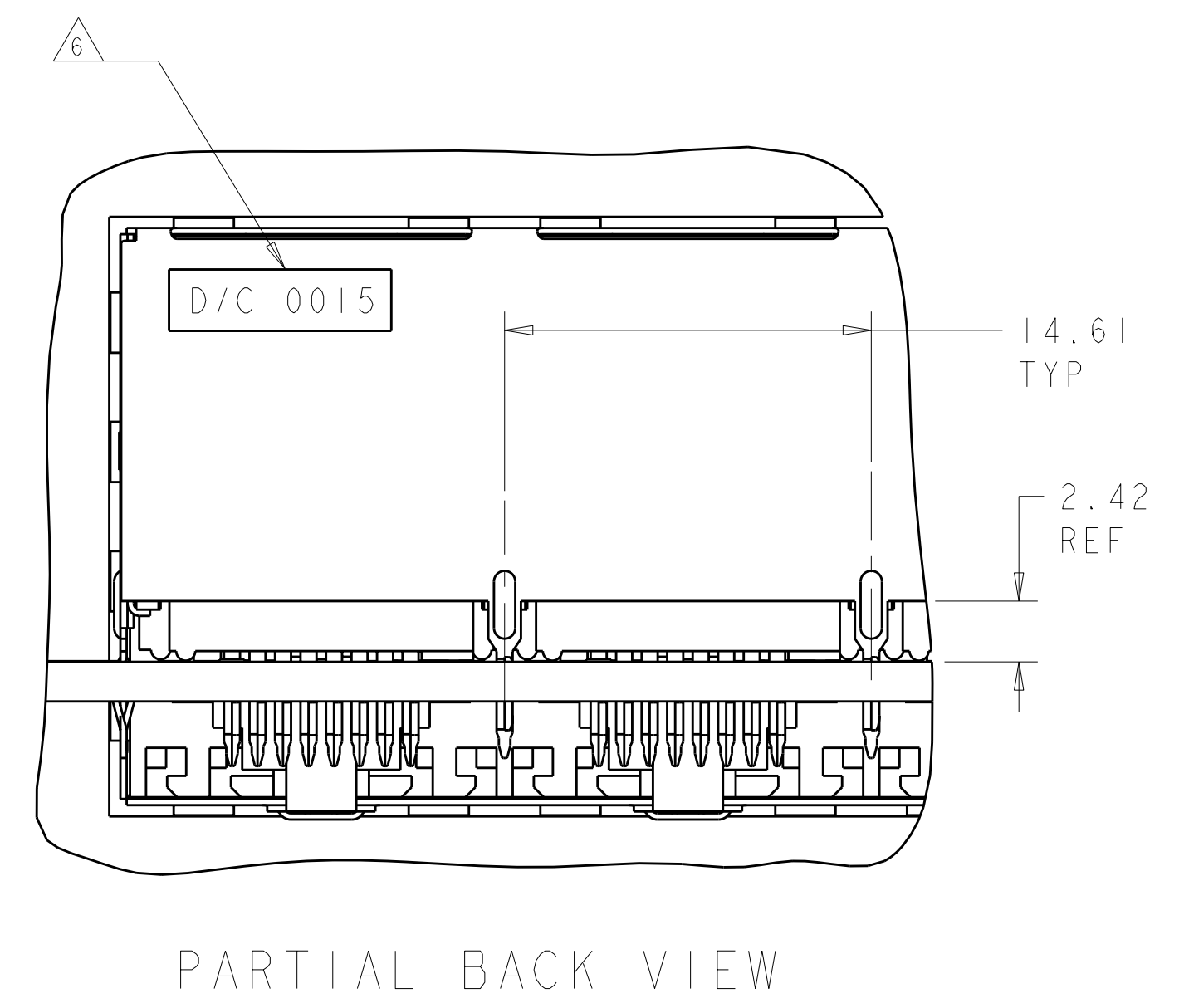
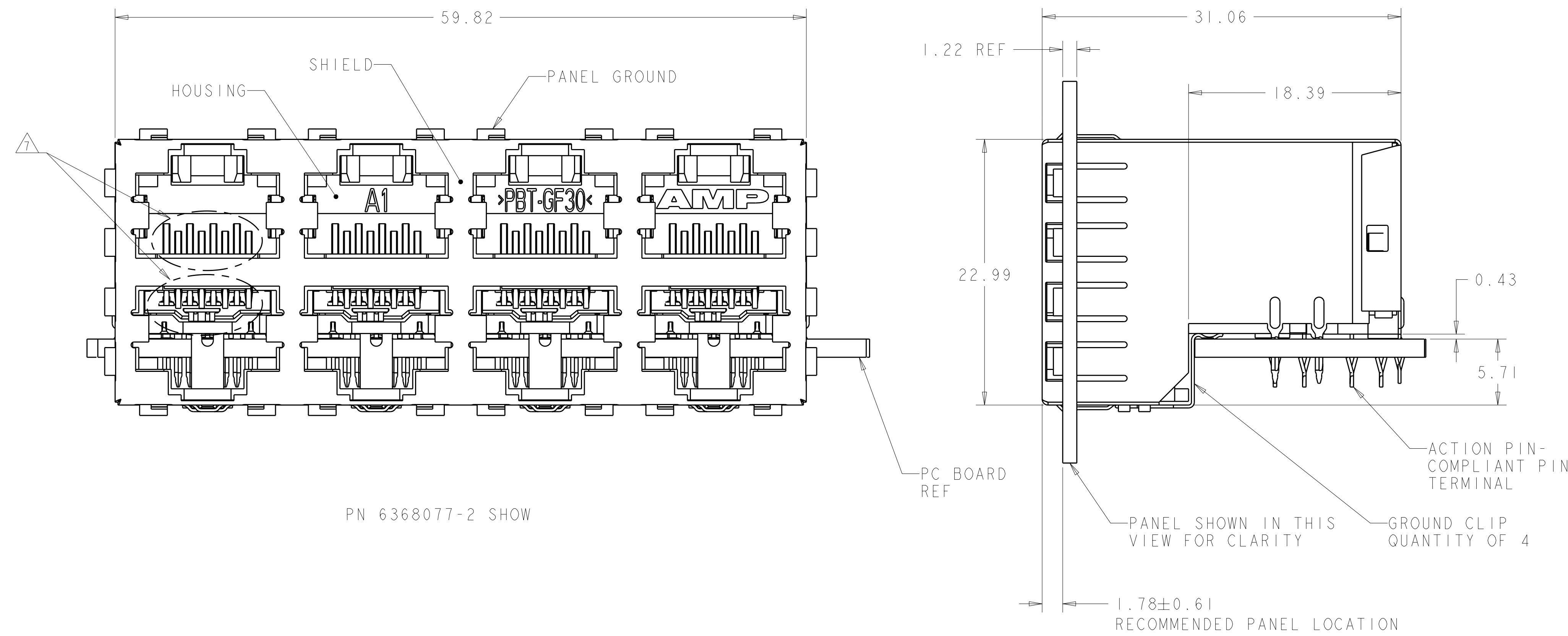


LOC	DIST	REVISIONS			
AA	22	REV	DATE	DWN	APVD
A		RELEASED PER ECOS11-0201-04	27JUL2005	DR	JW
B		ECO-08-028011	11NOV2006	JY	SY

1. MATERIAL:
HOUSING
 PBT POLYESTER, BLACK, UL 94V-0.
TERMINALS
 0.30 THICK PHOSPHOR BRONZE PLATED WITH 1.27μm MINIMUM THICK HARD GOLD IN LOCALIZED AREA AND 2μm MINIMUM THICK MATTE TIN IN ACTION PIN COMPLIANT PIN TERMINAL AREA OVER 1.27μm MINIMUM THICK NICKEL UNDERPLATE.
SHIELD
 0.25 THICK COPPER ALLOY PLATED WITH 2.03μm MINIMUM BRIGHT TIN OVER 1.27μm MINIMUM NICKEL.
GROUND CLIP
 0.25 THICK COPPER ALLOY WITH 2.03μm MINIMUM MATTE TIN OVER 1.27μm MINIMUM NICKEL.
2. JACK CAVITY CONFORMS TO FCC RULES AND REGULATIONS, PART 68 SUBPART F.
3. ALL DIMENSIONS ARE NOMINAL UNLESS OTHERWISE SPECIFIED.
- ⚠ DRILLED HOLE DIA = 1.02±.025.
 COPPER THICKNESS = 0.025-0.075.
 TIN THICKNESS = 0.008 MIN.
 - ⚠ DATUMS AND BASIC DIMENSIONS ESTABLISHED BY CUSTOMER.
 - ⚠ DATE CODE LOCATED ON REAR OF PART APPROXIMATELY AS SHOWN.
 - ⚠ CONTACTS ARE NOT INTENDED TO BE ALIGNED WITH EACH OTHER.



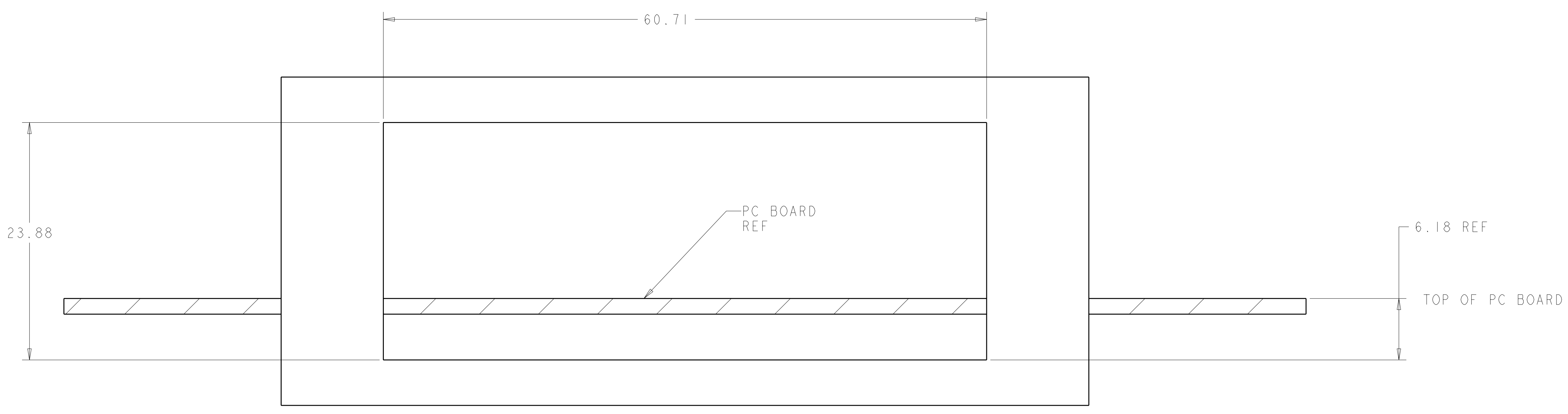
PN 6368077-2 SHOW

DESCRIPTION	PART NUMBER
WITH GROUND CLIP	6368077-2
WITHOUT GROUND CLIP	6368077-1

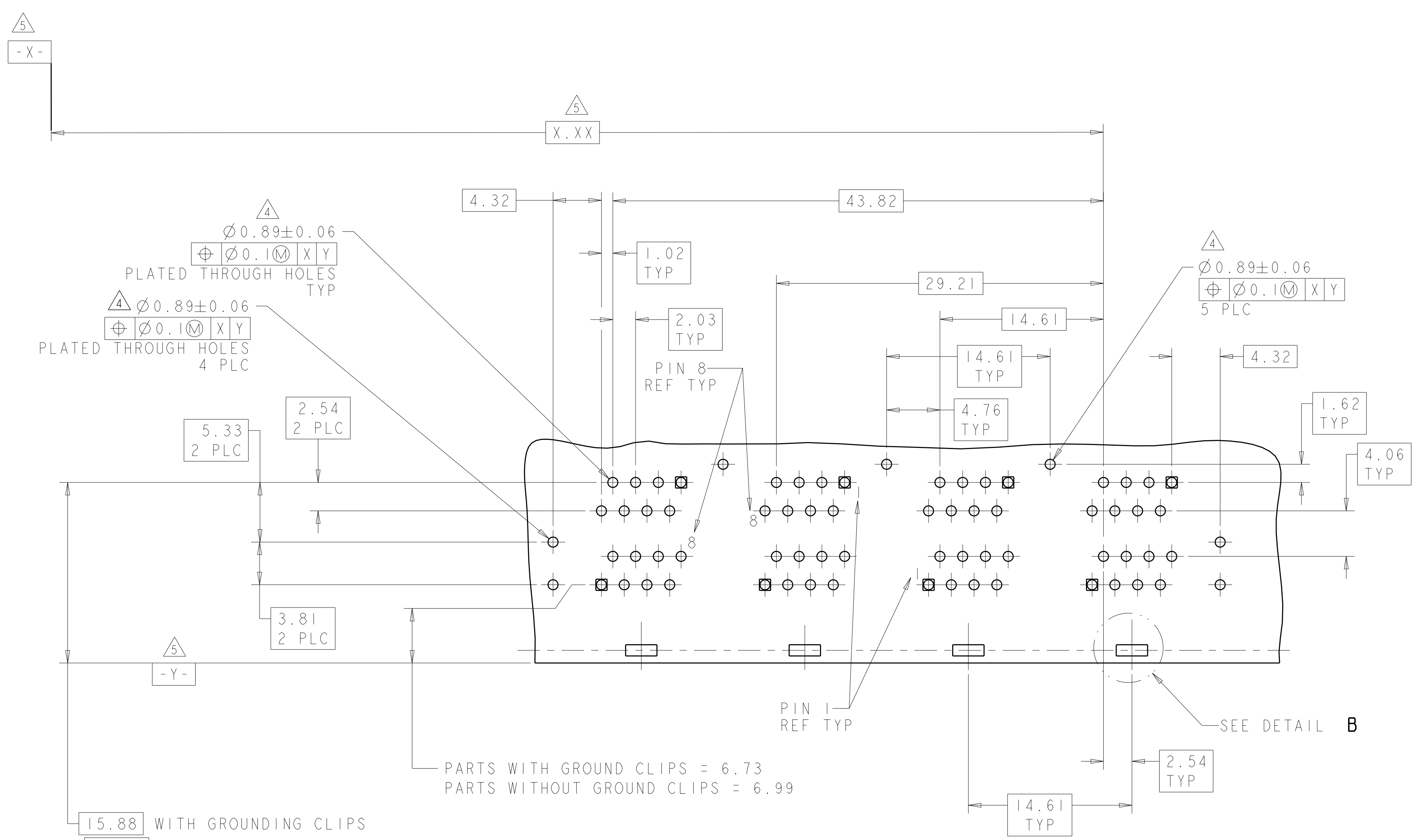
DIMENSIONS: mm 		TOLERANCES UNLESS OTHERWISE SPECIFIED: 9 PLC ±. 1 PLC ±0.13 2 PLC ±0.13 3 PLC ±. 4 PLC ±. ANGLES ±°		DWN D. RINGLER 28JUL2005 CHK J. WESTMAN 28JUL2005 APVD S. FLICKINGER 28JUL2005 NAME PRODUCT SPEC 108-1854 APPLICATION SPEC 114-2160 WEIGHT CUSTOMER DRAWING		Tyco Electronics Corporation Harrisburg, PA 17105-3608 NAME STACKED MODULAR JACK ASSEMBLY, 2X4 OFFSET, 8 POSN, RJ45 SHIELDED PANEL GROUND, NO LEDS, CAT 5 SIZE CAGE CODE DRAWING NO RESTRICTED TO A1100779C=6368077 SCALE 4:1 SHEET 1 OF 2 REV B	
-----------------------	--	---	--	--	--	--	--

LOC	DIST	REV	DATE	BY	APPD
AA	22				

REVISIONS			
REV	DATE	BY	APPD
-	-	-	-
-	-	-	-



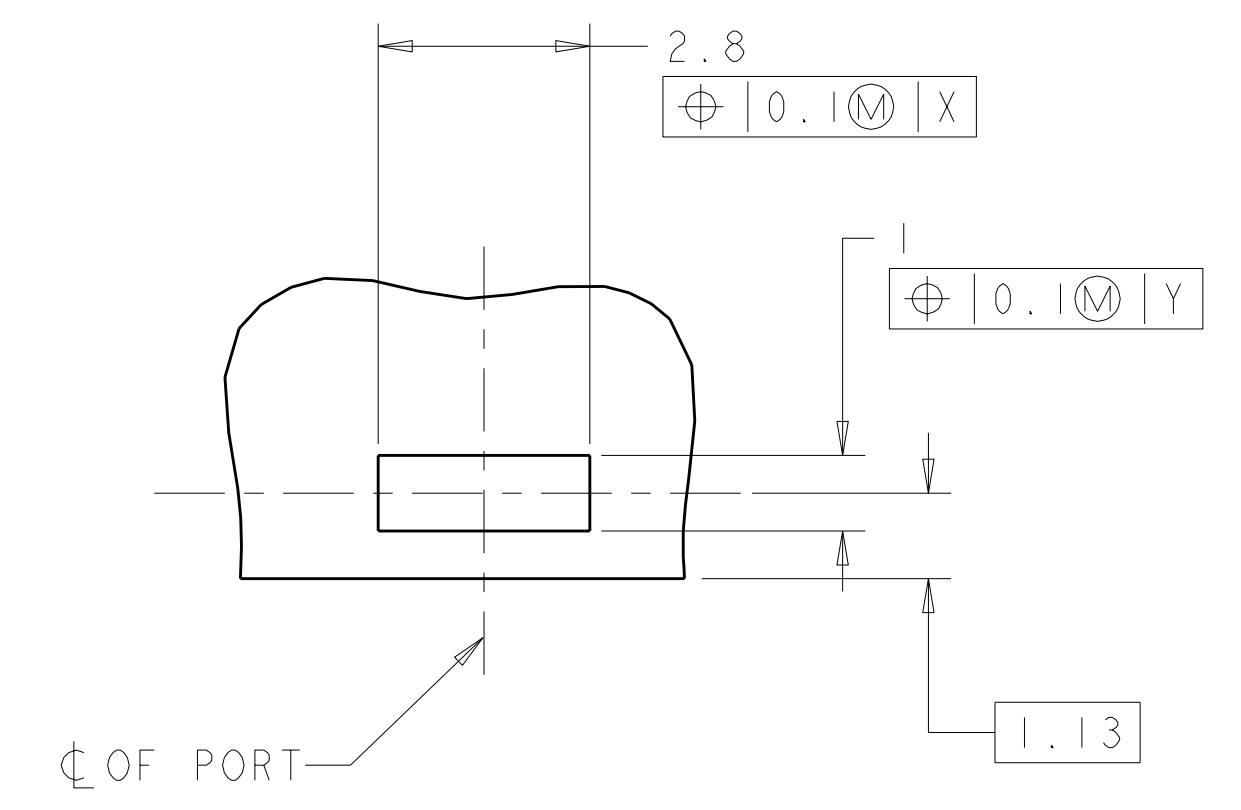
RECOMMENDED PANEL CUT-OUT



PARTS WITH GROUND CLIPS = 6.73
 PARTS WITHOUT GROUND CLIPS = 6.99

15.88 WITH GROUNDING CLIPS
 16.13 WITHOUT GROUNDING CLIPS

PC BOARD LAYOUT
 (COMPONENT SIDE)



DETAIL B
 THESE PLATED PADS ARE REQUIRED FOR
 PRODUCT WITH GROUNDING CLIPS
 SCALE 10:1
 4 PLACES

<small>THIS DRAWING IS UNPUBLISHED. RELEASED FOR PUBLICATION BY TYCO ELECTRONICS CORPORATION. ALL RIGHTS RESERVED.</small>		DWN: D. RINGLER 28JUL2005 CHK: J. WESTMAN 28JUL2005 APPD: S. FLICKINGER 28JUL2005	Tyco Electronics Corporation Harrisburg, PA 17105-3608
DIMENSIONS: mm	TOLERANCES UNLESS OTHERWISE SPECIFIED: 9 PLC ± 1 PLC ±0.13 2 PLC ±0.13 3 PLC ± 4 PLC ± ANGLES ±1°	NAME: STACKED MODULAR JACK ASSEMBLY, 2X4 OFFSET, 8 POSN, RJ45 SHIELDED PANEL GROUND, NO LEDS, CAT 5 PRODUCT SPEC: 108-1854 APPLICATION SPEC: 114-2160	SIZE: A1100779 CAGE CODE: C=6368077 DRAWING NO: 108-1854
MATERIAL:	FINISH:	WEIGHT:	RESTRICTED TO:
CUSTOMER DRAWING		SCALE: 4:1	SHEET 2 OF 2 REV B