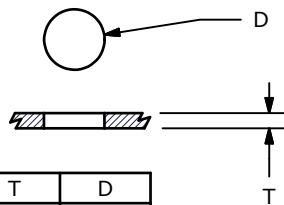
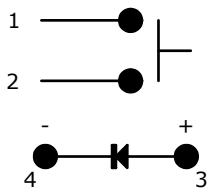


▲ LED SPECS	UNITS	WHITE
FORWARD CURRENT	mA	20
FORWARD VOLTAGE @20mA	V	3.5 - 4.0
LUMINOUS INTENSITY @ 10mA	MCD	2000



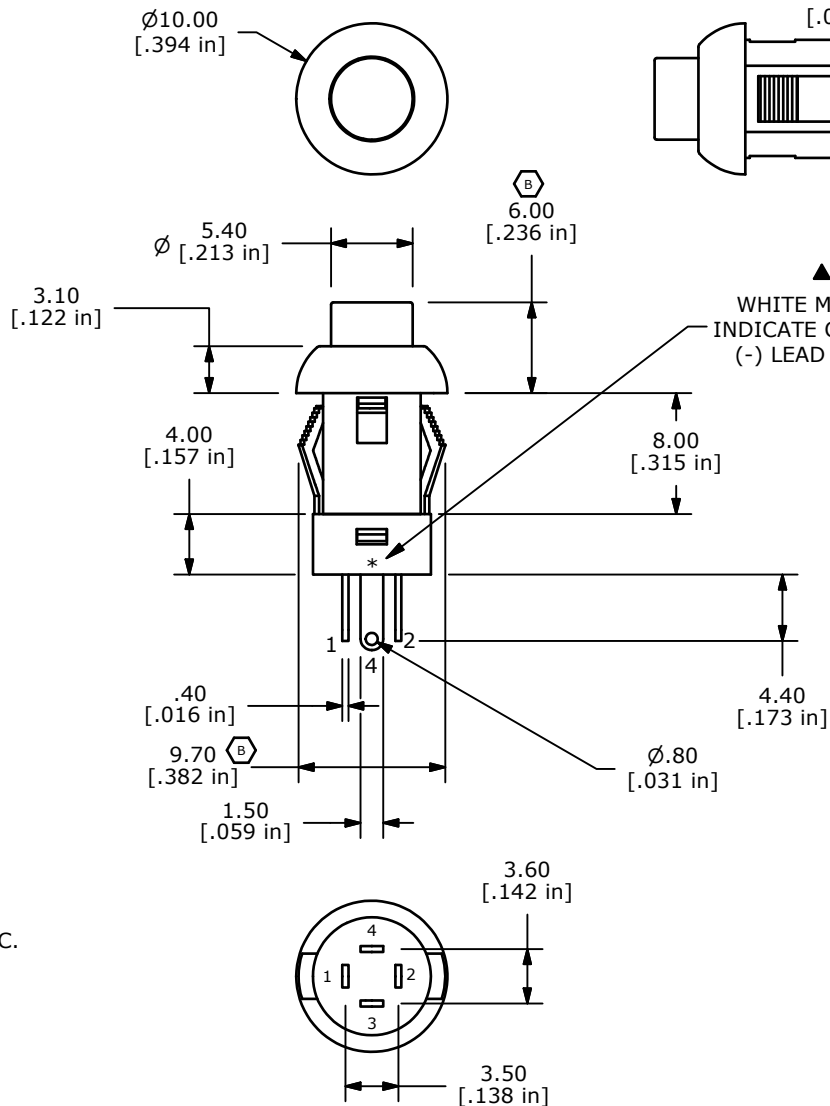
T	D
1.0-2.0	8.0-8.2
2.0-2.5	8.2-8.4
2.5-3.0	8.4-8.6



▲ WHITE LED  
CIRCUIT: SPST  
OFF (ON)

NOTES:

1. ALL DIMENSIONS IN MM [INCH]
2. GENERAL TOLERANCE: X.X=±0.4  
X.XX=±0.25
3. RATING: 30VDC @ 100mA
4. CONTACT RESISTANCE: 50 mΩ MAX.
5. INSULATION RESISTANCE: 100MΩ MIN @ 500VDC.
6. OPERATING FORCE: 250 ± 100gf
7. TRAVEL: 1.8± 0.3mm
8. OPERATING TEMPERATURE: -40°C TO 85°C
9. OPERATING LIFE: 50,000 CYCLES
- ▲ 10. LED: WHITE
11. ▲ DENOTES CRITICAL PARAMETERS
12. 2002/95/EC (ROHS) COMPLIANT



ISOMETRIC



TITLE LP10A1AW				
SCALE 2:1	DATE 9/16/2011	DR BGL	DWG B200204	REV A

A	20156	New Release	9/16/11	BGL
REV	PCR NO	DESCRIPTION	DATE	BY

THE INFORMATION CONTAINED IN THIS DOCUMENT IS PROPRIETARY TO E-SWITCH AND IS NOT TO BE COPIED OR TRANSFERRED