

NOTES:

1.0 MATERIALS:

- 1.1 HOUSING: STAINLESS STEEL PER ASTM-A582, TYPE 303.
- 1.2 CENTER CONTACT: BERYLLIUM COPPER ROD ALLOY C172, PER ASTM-B196
- 1.3 DIELECTRIC: PTFE FLUOROCARBON PER ASTM-D1457.

2.0 PLATING:

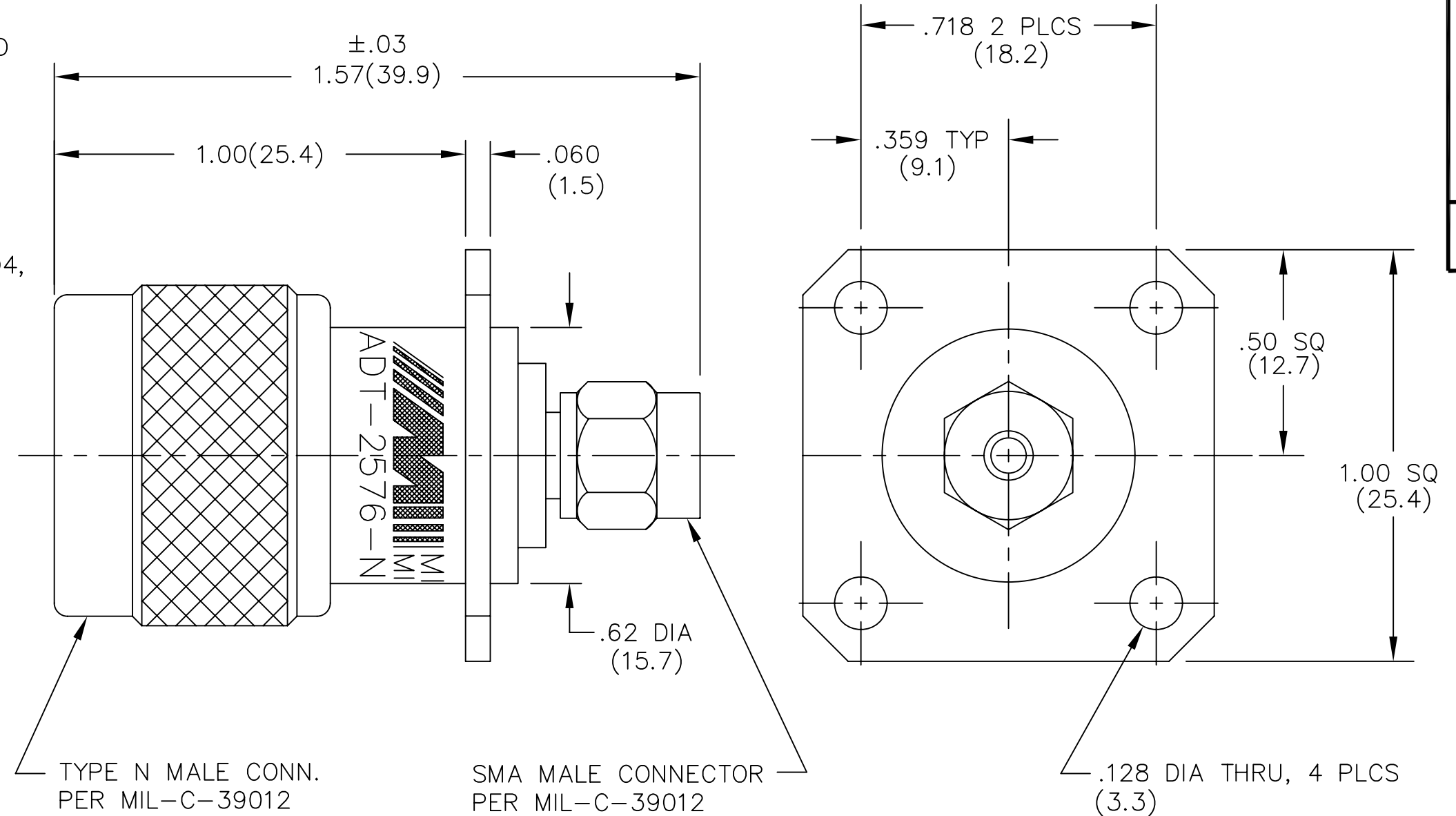
- 2.1 HOUSING & NUTS: PASSIVATED PER MIL-F-14072 AND QQ-P-35.
- 2.2 CENTER CONTACT: GOLD PER MIL-G-45204, TYPE II, CLASS 2.

3.0 ELECTRICAL SPECIFICATION:

- 3.1 FREQUENCY RANGE: DC to 18.0 GHz
- 3.2 IMPEDENCE: 50 OHMS
- 3.3 VSWR (MAXIMUM):
 - DC to 4.0 GHz: 1.04:1
 - 4.0 to 8.0 GHz: 1.07:1
 - 8.0 to 18.0 GHz: 1.12:1

4.0 DIMENSIONS IN PARENTHESIS ARE MILLIMETERS.

5.0 MARKING: MARK UNIT AS SHOWN (REF: INK-02669-27-42)



MODEL NUMBER
ADT-2576-NM-SMM-02
REV.
A1

REV.	DESCRIPTION	DATE
-	RELEASED	9/15/92
A	ECN 14931	12/29/95
A1	ADDED TITLEBLOCK	3/9/05

UNLESS OTHERWISE NOTED DIMENSIONS ARE IN INCHES AND TOLERANCES ARE: 3 PLACE DECIMALS ±.005 2 PLACE DECIMALS ±.02 FRACTIONS ±1/64 PARALLELITY: T.I.R. _____ FLATNESS: T.I.R. _____ CONCENTRICITY: T.I.R. _____ ANGLES AND PERPENDICULARITY: ±1'	FSCM NO. 34078	MIDWEST MICROWAVE	
	NOTICE: The information contained in this drawing is proprietary and must not be used without the permission of Midwest Microwave	TITLE ADAPTER	
DRAWN/DATE M.HOLLMAN 9/10/92	ENG./DATE A.OSGA 9/11/92	DRAWING NUMBER ADT-2576-NM-SMM-02	
CHECKED/DATE A.BEATTY 9/11/92	APPROVED/DATE	SCALE: 3=1	SHEET 1 of 1