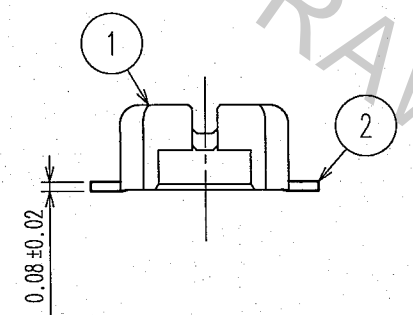
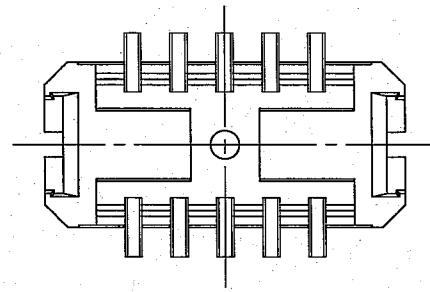
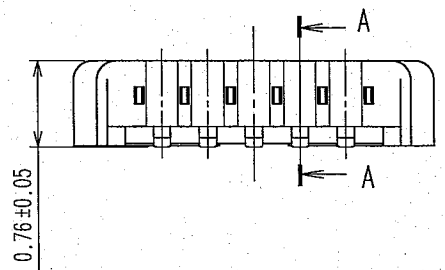
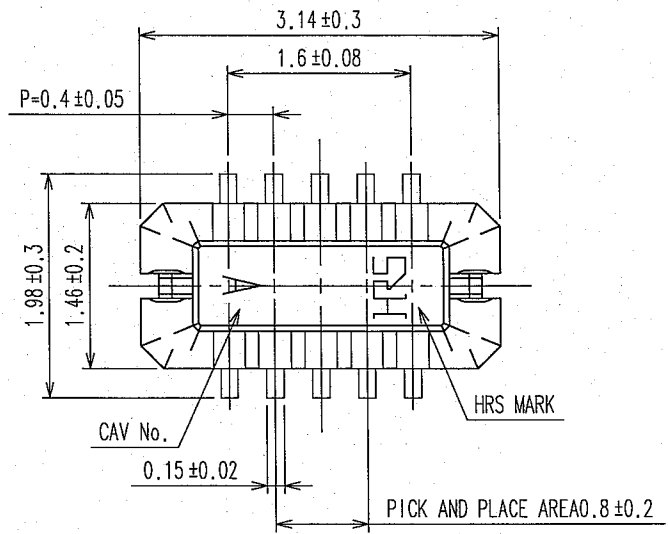
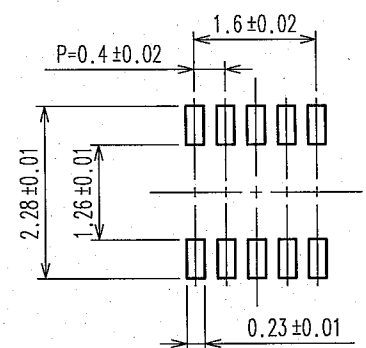


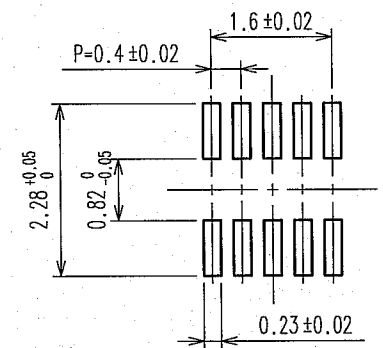
COUNT	DESCRIPTION OF REVISIONS	BY	CHKD	DATE	COUNT	DESCRIPTION OF REVISIONS	BY	CHKD	DATE
△					△				
△					△				
△					△				



RECOMMENDED METAL MASK
OPENING PATTERN

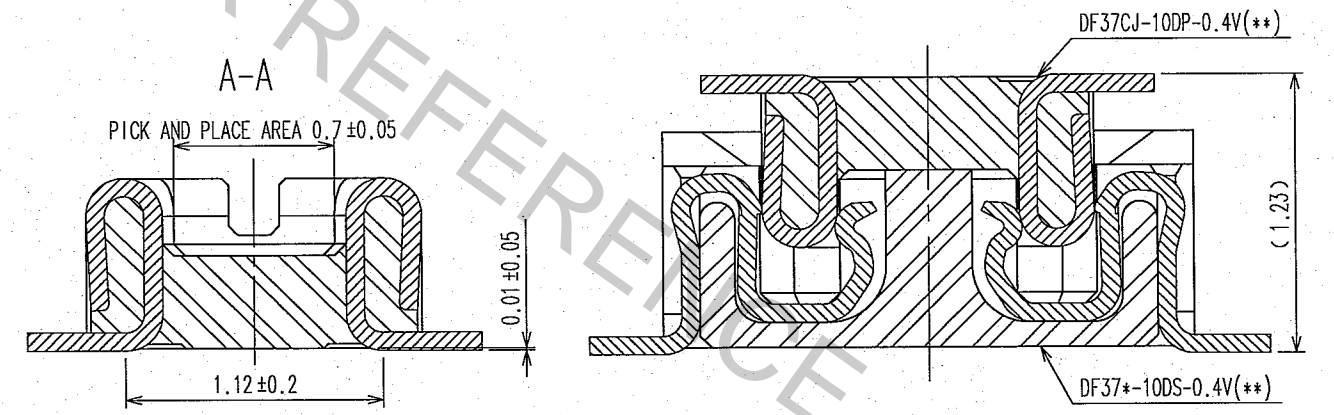


RECOMMENDED PATTERN



RECOMMENDED SOLDER PASTE: THICKNESS 120μm

ENGAGEMENT FIGURE



- NOTE 1. ALL LEADS CO-PLANARITY SHALL BE 0.1 MAX.
 2. PER REEL : 1000 CONNECTORS.
 3. AT THE BEGINNING OF THE REEL, 100 mm AT MIN SHALL BE EMPTY POCKETS.
 AT THE END OF THE REEL, 160 mm AT MIN SHALL BE EMPTY.
 4. (DELETED)
 5. CONTACT PLATING SPECIFICATIONS.
 CONTACT AREA : GOLD 0.05μm MIN.
 SMT LEAD : GOLD 0.05μm MIN.
 UNDERPLATING : NICKEL 1μm MIN.
 (SURFACE : SEALING)
 6. PEEL FORCE OF COVER TAPE REFERS TO JIS C 0806.

3	PS	CLEAR(EMBOSSED CARRIER TAPE)	5	PS	PLASTIC REEL(BLACK)
2	PHOSPHOR BRONZE	5	4	POLYESTER	CLEAR(COVER TAPE)
1	LCP	UL94V-0, BLACK	NO. MATERIAL FINISH, REMARKS		

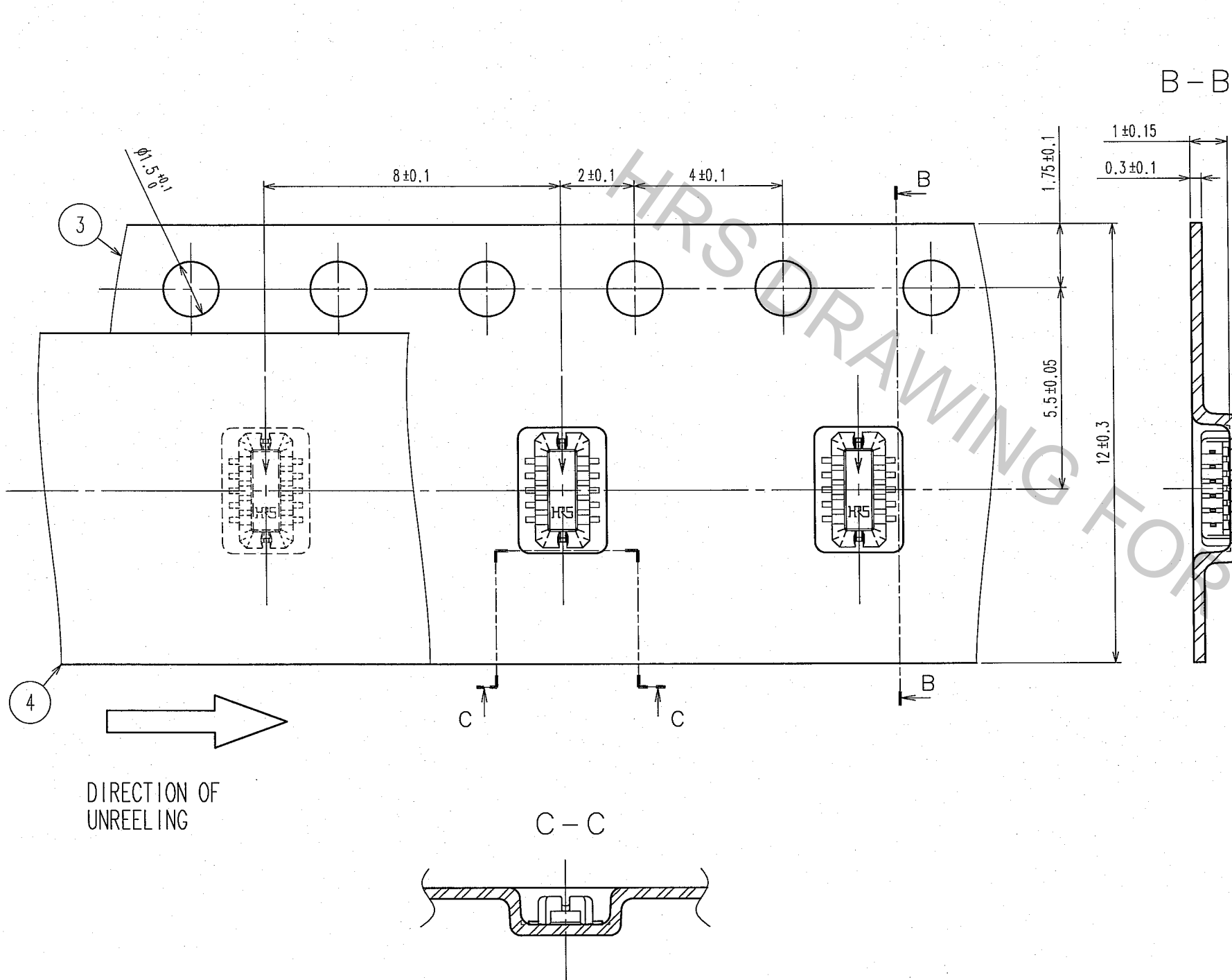
CODE NO. (OLD)	DRAWN	DESIGNED	CHECKED	APPROVED	RELEASED
	<i>n. yamashiro</i>	<i>T. Oai</i>	<i>K. Ikeda</i>	<i>M. Yokamura</i>	
	'67.07.21	'67.07.21	'67.07.23	'67.07.23	

SCALE	DRAWING NO.	PART NO.
FREE	EDC3-313137-03	DF37CJ-10DP-0.4V(53)
UNITS	mm	CODE NO.
	HRS HIROSE ELECTRIC CO., LTD	CL684-3041-7-53

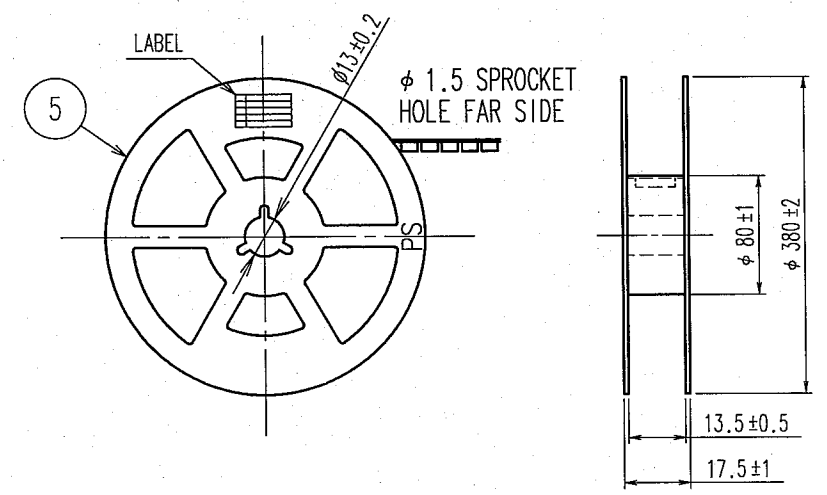
TO

Apr.1.2017 Copyright 2017 HIROSE ELECTRIC CO., LTD. All Rights Reserved.

5	6	7	8						
COUNT	DESCRIPTION OF REVISIONS	BY	CHKD	DATE	COUNT	DESCRIPTION OF REVISIONS	BY	CHKD	DATE
△					△				
△					△				
△					△				



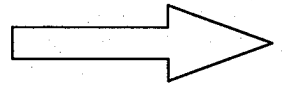
STYLE AND DIMENSION OF REEL (FREE SIZE)



DETAIL OF PART NO. LABEL

SUPPLIER	QUANTITY	PART NO.	CODE NO.	DATE OF MANUFACTURED
生産月日	年月日	図番	CL684-3041-7-53	
品名	DF37CJ-10DP-0.4V(53)	納入数量	1000個	
納入者	ヒロセ電機(株)			

DIRECTION OF UNREELING



CODE NO. (OLD)	DRAWN	DESIGNED	CHECKED	APPROVED	RELEASED
	<i>n.yamashiro</i>	<i>J. Ooi</i>	<i>K. Ikeda</i>	<i>M. Kobayashi</i>	
	'07.07.21	'07.07.21	'07.07.23	'07.07.23	
SCALE	DRAWING NO.		PART NO.		
FREE	EDC3-313137-03		DF37CJ-10DP-0.4V(53)		
UNITS	HRS HIROSE ELECTRIC CO., LTD		CODE NO.		2
mm			CL684-3041-7-53		