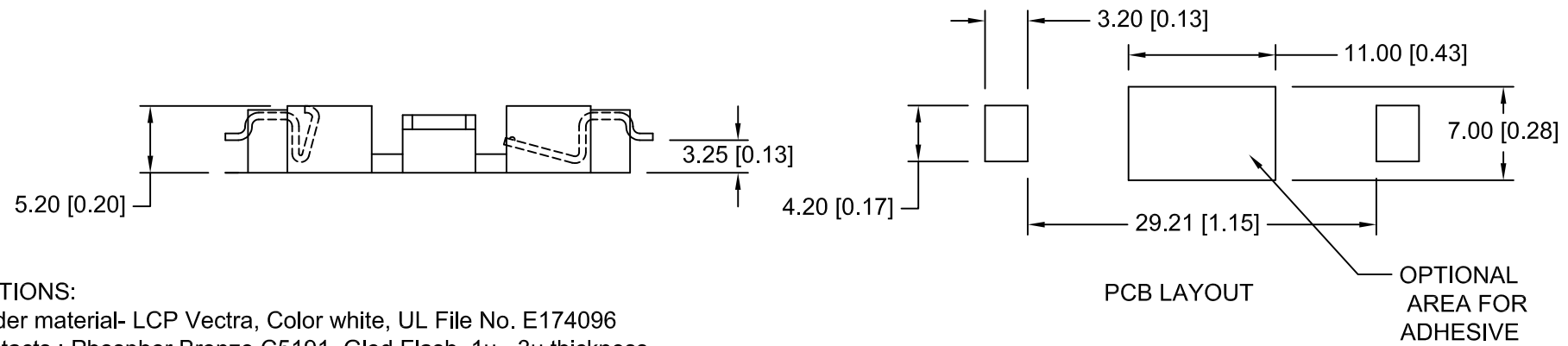
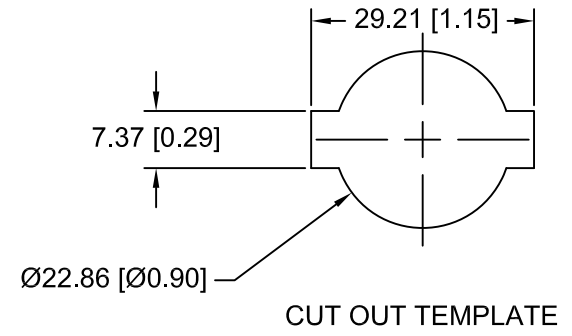
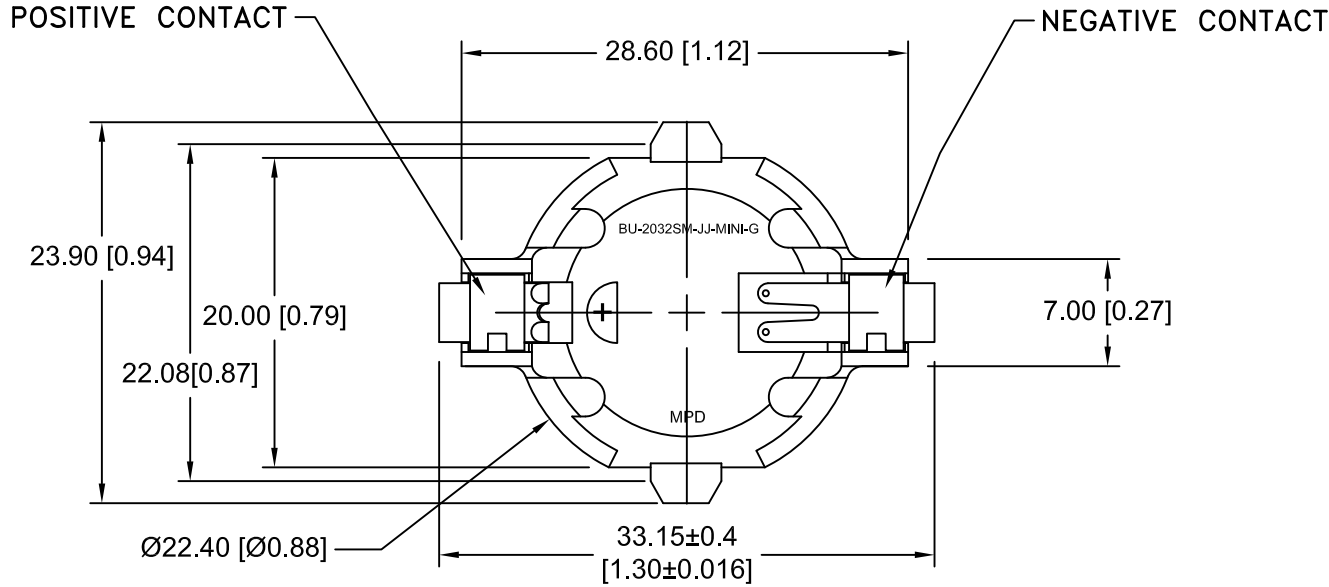



Date	SYM	REVISION RECORD	AUTH	DR.	CK.
07/15/11	A	ADDED DROP TEST RESULT	T.B.	B.S.	
09/23/11	B	ADDED CUT OUT TEMPLATE	T.B.	B.S.	
09/30/11	C	ADDED DIM. 23.90 AND 22.08	T.B.	B.S.	
07/13/12	D	CHANGED DIM. LOCATION FOR DIM. 29.21 IN PCB LAYOUT	T.B.	B.S.	



**SPECIFICATIONS:**

- \* Holder material- LCP Vectra, Color white, UL File No. E174096
- \* Contacts : Phosphor Bronze C5191, Glod Flash, 1u - 3u thickness
- \* Temperature range: -40°C to +280°C
- \* Vibration Test: 10-50-10 Hz swept in 60 seconds  
X,Y,Z direction: 1 hour each direction
- \* Result: No dislodgement of the cell or damage  
No discontinuity over 10 micro-seconds
- \* Shock Test: Half sine wave acceleration 150G. 6 micro-seconds  
3 shock pulses each direction per axis, total of 18 pulses
- \* Result: No evidence of physical damage
- \* Drop Test: 1meter - No dislodgement of cell
- \* ROHS Compliant

Tolerance (Except as noted)	 <b>Memory Protection Devices, Inc</b> 200 Broad Hollow Road, Farmingdale, New York 11735	Scale	Drawn By B.S.
			Approved By T.B.
decimal ±.5 (.020)	Title SURFACE MOUNT BATTERY HOLDER FOR CR2032		
Fractional ± .8 (.030)		Date 07/13/12	Drawing Number BU2032SM-JJ-MINI-G
Angular ± 3°			