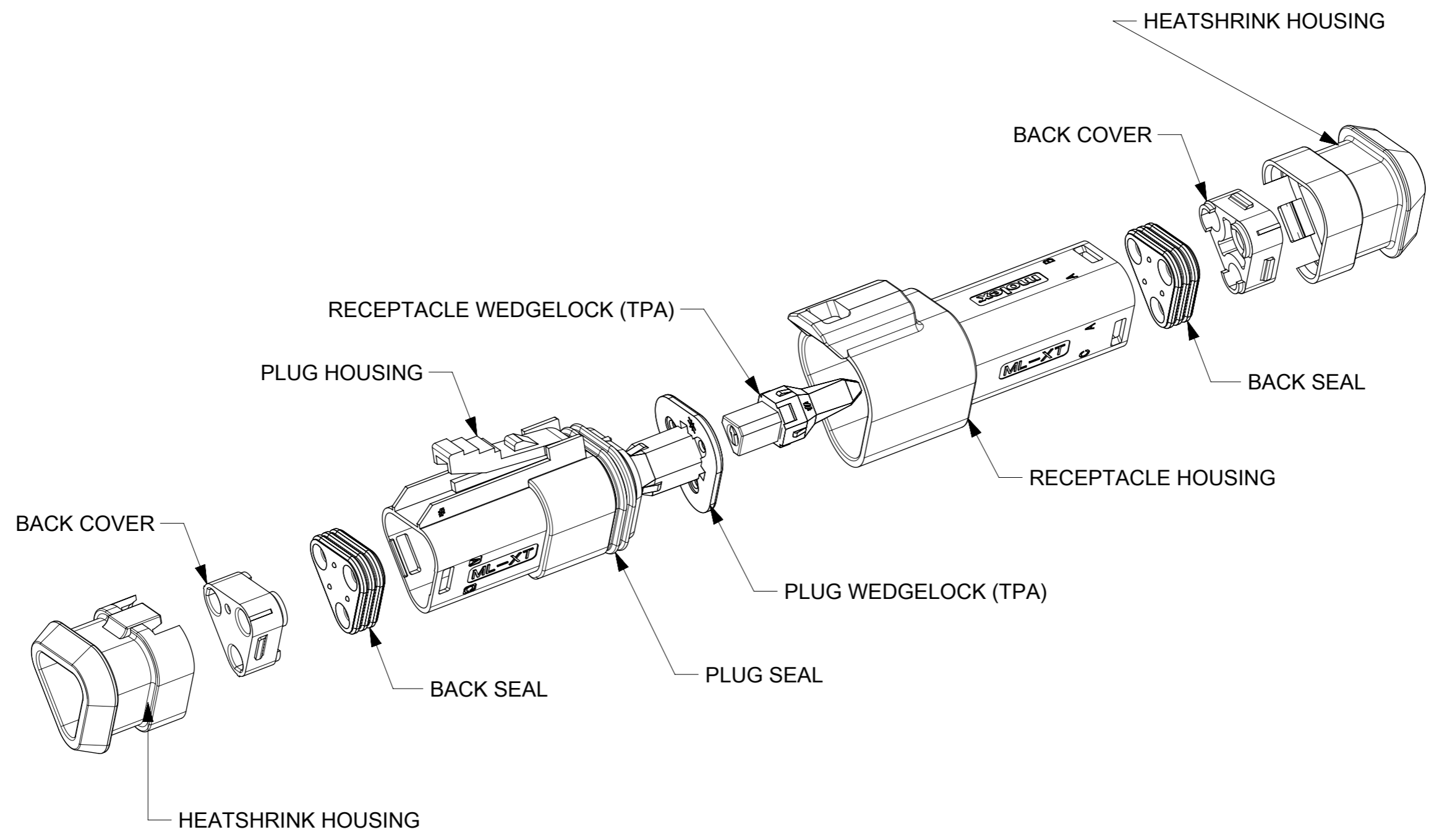


9 8 7 6 5 4 3 2 1

E
D
C
B
A

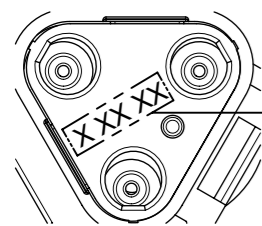
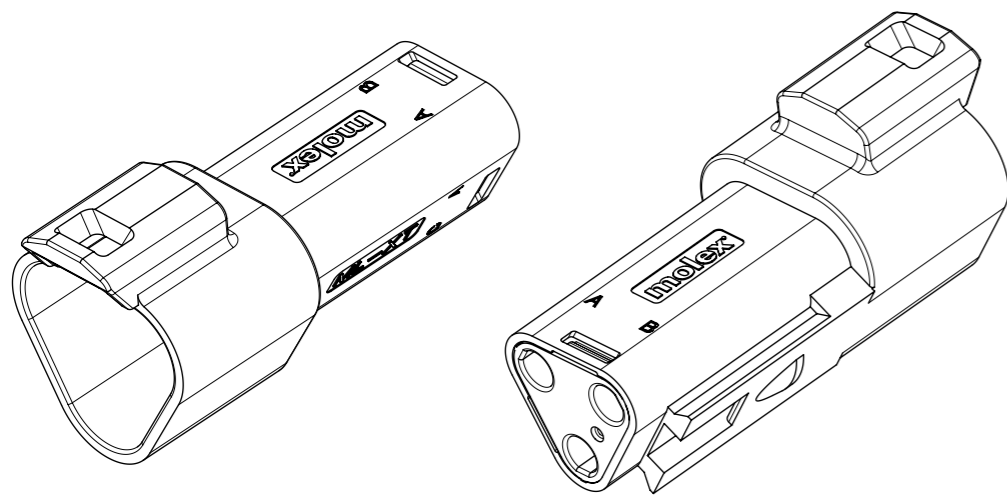


NOTES
 1. SEE SHEETS 2 TO 7 FOR ALL UNSPECIFIED NOTES, DIMENSIONS AND PART NUMBERS

THIS DRAWING CONTAINS INFORMATION THAT IS PROPRIETARY TO MOLEX ELECTRONIC TECHNOLOGIES, LLC AND SHOULD NOT BE USED WITHOUT WRITTEN PERMISSION											
SYMBOLS		DIMENSION UNITS		SCALE		CURRENT REV DESC: REVISED					
▽ = 0		mm				EC NO: 167662					
▽ = 0		GENERAL TOLERANCES (UNLESS SPECIFIED)				DRWN: JFLETCHER		2017/12/08		3CCT ML-XT CV CONNECTOR	
▽ = 0		ANGULAR TOL ± 2.0°				CHK'D: JDWALLACE		2018/02/07		PRODUCT CUSTOMER DRAWING	
▽ = 0		4 PLACES ±				APPR: JDWALLACE		2018/02/14		DOCUMENT NUMBER	
▽ = 0		3 PLACES ±				INITIAL REVISION:		DRWN: JFLETCHER		934430020	
▽ = 0		2 PLACES ± 0.1				APPR: JALEXANDER		2015/01/22		DOC TYPE	
▽ = 0		1 PLACE ± 0.2								PSD	
▽ = 0		0 PLACES ±								DOC PART	
□ = 0		DRAFT WHERE APPLICABLE MUST REMAIN WITHIN DIMENSIONS				THIRD ANGLE PROJECTION		DRAWING		REVISION	
▽ = 0						A3-SIZE		SERIES		SHEET NUMBER	
						93443		MATERIAL NUMBER		1 OF 7	
								CUSTOMER			
								GENERAL MARKET			

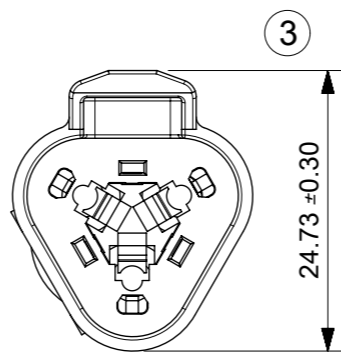
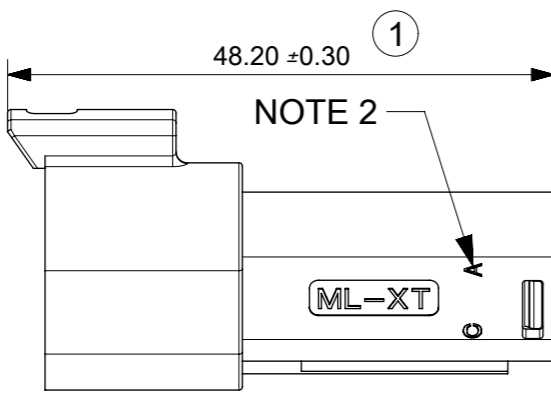
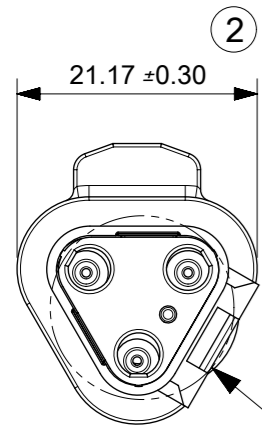
9 8 7 6 5 4 3 2 1

3CCT RECEPTACLE CONNECTOR

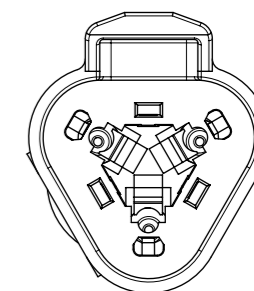
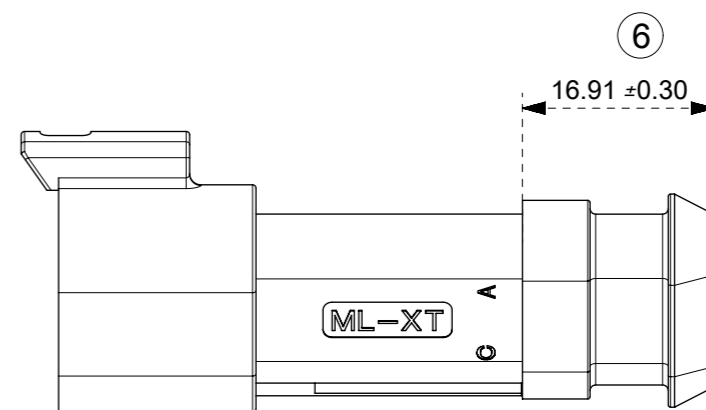
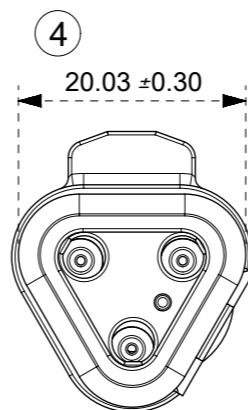
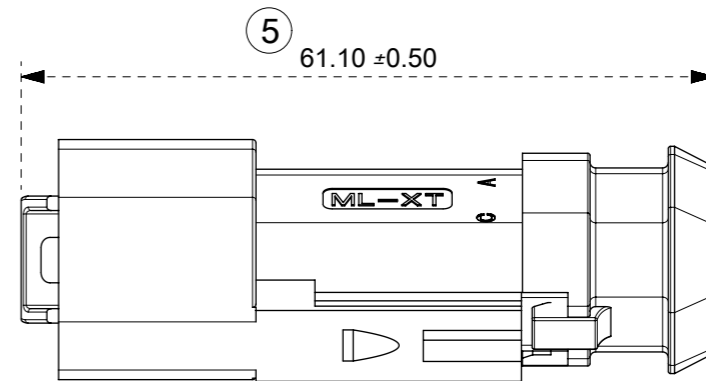
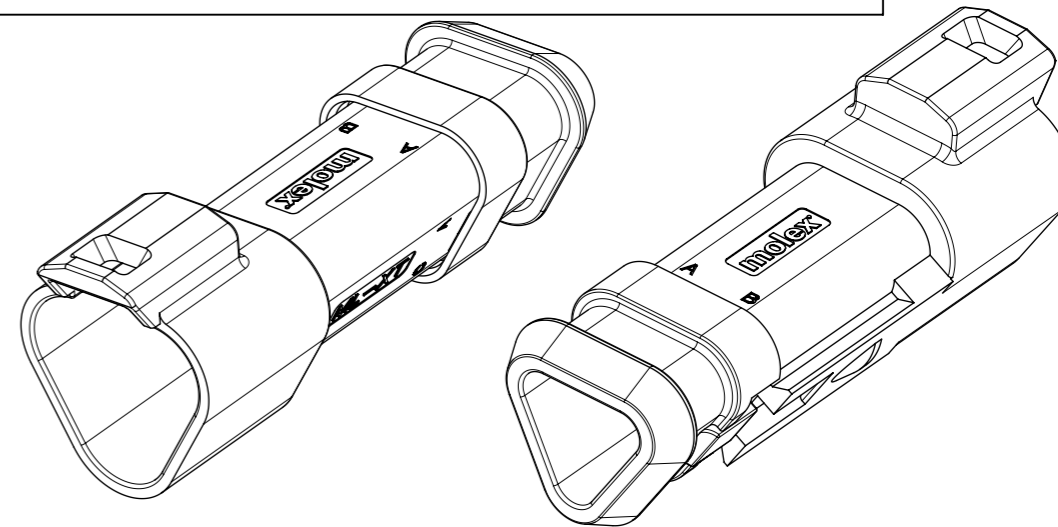


DETAIL A
SCALE 2:1

DATE CODE: X XX XX
 X—DAY: 1- 7
 X — WEEK: 01 - 52
 X — YEAR: 00 - 99
 # — MACHINE NO. 1
 EXAMPLE: 11315 = DAY 1, WEEK 13,
 YEAR 15 i.e. 23rd OF MARCH 2015

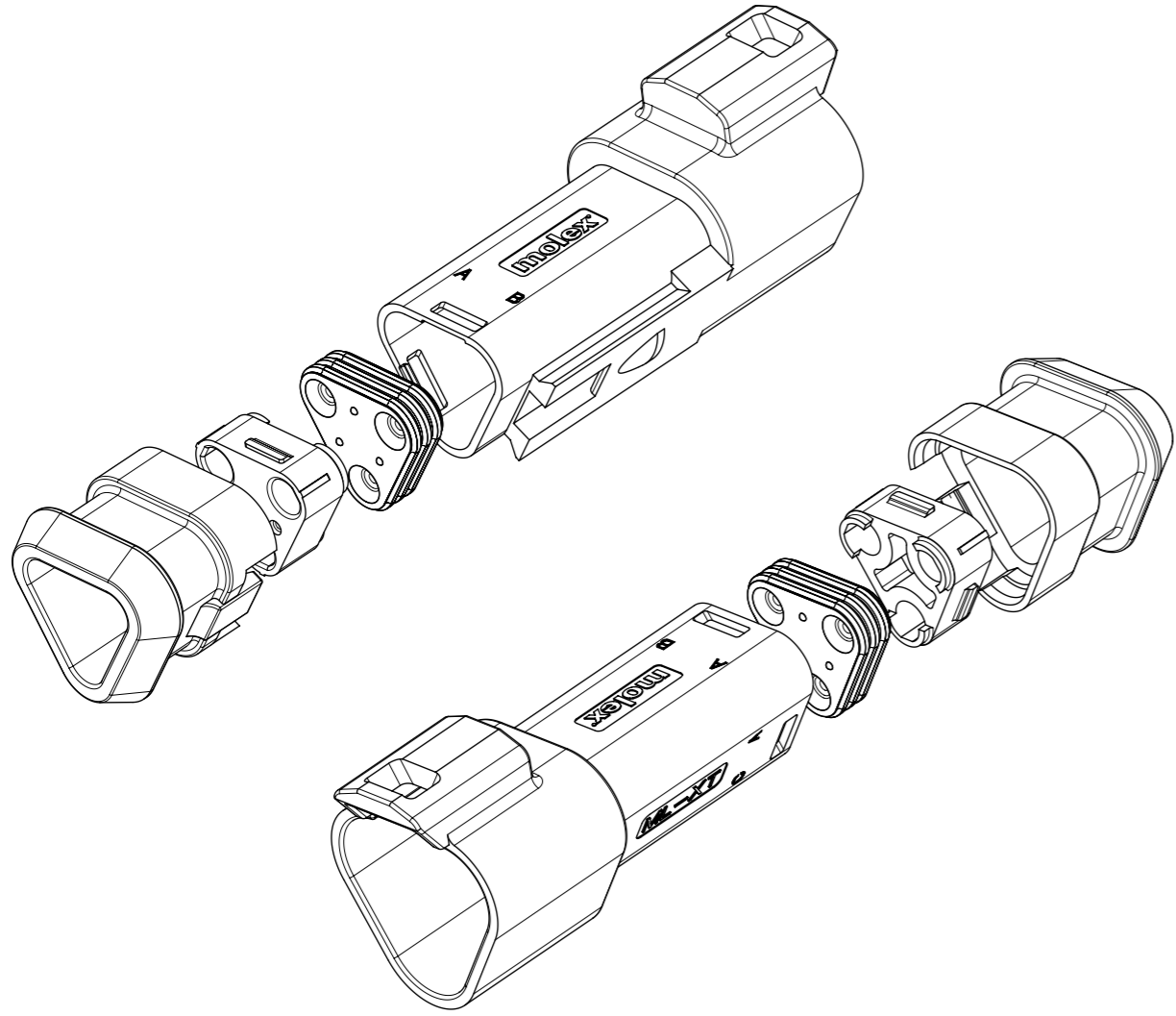


3CCT RECEPTACLE CONNECTOR WITH HEATSHRINK HOUSING ULTRASONICALLY WELDED IN PLACE



1. MATERIAL
 HOUSING: NYLON 30% GLASS FILLED
 BACK SEAL: HIGH CONSISTENCY RUBBER
 2. CIRCUIT IDENTIFICATION
 3. JACKET RANGE LARGE = Ø2.23MM TO 3.68MM (SEAL COLOUR: LIGHT BLUE)
 JACKET RANGE SMALL = Ø1.35MM TO 3.05MM (SEAL COLOUR: BURNT ORANGE)
 4. SEE SHEET 3 FOR FINAL PART NUMBER
 5. SEE 934430010 PS P FOR PRODUCT SPECIFICATION
 6. SEE 934430002 PS K FOR PACKAGING SPECIFICATION
- INSPECTION NUMBERS 1 - 50 RESERVED FOR SHEET 2
 LAST INSPECTION NO. 6

SYMBOLS	THIS DRAWING CONTAINS INFORMATION THAT IS PROPRIETARY TO MOLEX ELECTRONIC TECHNOLOGIES, LLC AND SHOULD NOT BE USED WITHOUT WRITTEN PERMISSION		CURRENT REV DESC: REVISED		molex		
	DIMENSION UNITS	SCALE					
▽ = 0	mm				3CCT ML-XT CV CONNECTOR		
▽ = 0	GENERAL TOLERANCES (UNLESS SPECIFIED)				PRODUCT CUSTOMER DRAWING		
▽ = 0	ANGULAR TOL ± 2.0°				DOCUMENT NUMBER		
▽ = 0	4 PLACES ±	EC NO: 167662	2017/12/08		934430020		
▽ = 0	3 PLACES ±	DRWN: JFLETCHER	2018/02/07		PSD 000 D		
▽ = 0	2 PLACES ± 0.1	CHK'D: JDWALLACE	2018/02/14		DOCTYPE DOC PART REVISION		
▽ = 0	1 PLACE ± 0.2	APPR: JDWALLACE			MATERIAL NUMBER CUSTOMER SHEET NUMBER		
▽ = 0	0 PLACES ±	INITIAL REVISION:			SEE CHART GENERAL MARKET 2 OF 7		
▽ = 0	DRAFT WHERE APPLICABLE MUST REMAIN WITHIN DIMENSIONS		THIRD ANGLE PROJECTION	DRAWING	SERIES		
▽ = 0			A3-SIZE	93443			



3CCT RECEPTACLE CONNECTOR

SERIES No. 93444 2 - --

CIRCUIT SIZE
2 = 3CCT

ASSEMBLY OPTIONS:

- 1 = RECEP ASSEMBLY FOR WIRE JACKET RANGE: \varnothing 1.35mm-3.05mm (NOTE 2)
- 2 = RECEP ASSEMBLY FOR WIRE JACKET RANGE: \varnothing 2.23mm-3.68mm (NOTE 2)
- 5 = RECEP ASSEMBLY & HEATSHRINK FOR WIRE JACKET RANGE: \varnothing 1.35mm-3.05mm (NOTE 3)
- 6 = RECEP ASSEMBLY & HEATSHRINK FOR WIRE JACKET RANGE: \varnothing 2.23mm-3.68mm (NOTE 3)

COLOUR

- 01=BLACK
- 02=GREY 06=WHITE
- 03=GREEN 07=BROWN
- 04=BLUE 08=ORANGE
- 05=YELLOW 09=RED

EXAMPLE:

3cct RECEP BLACK WITH LARGE SEAL AND HEATSHRINK = 93444-2601

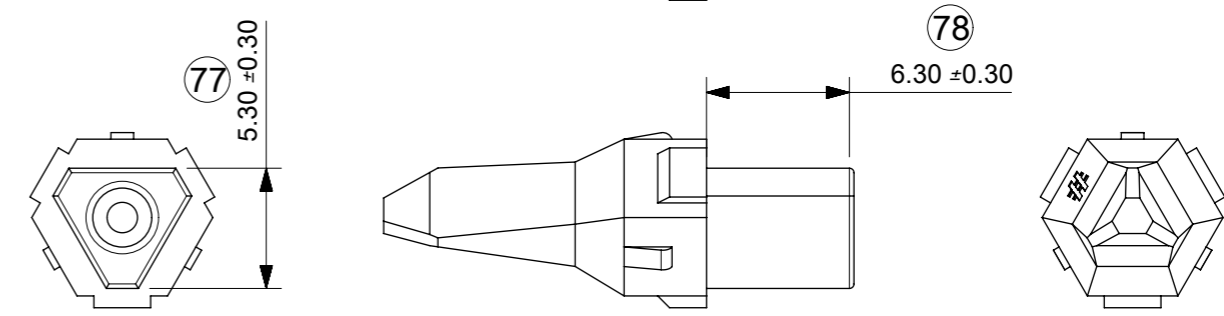
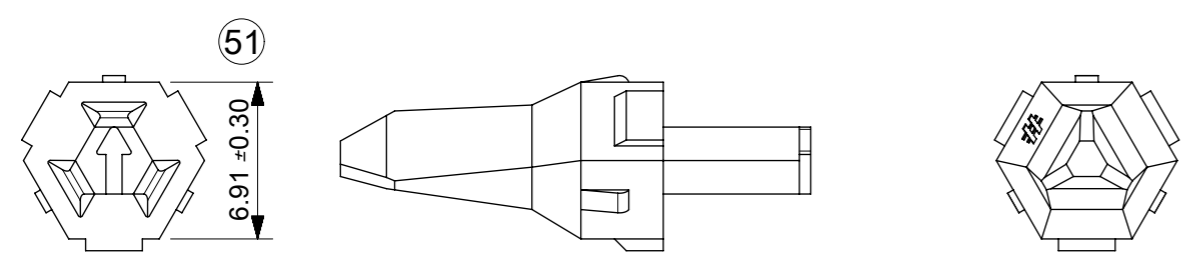
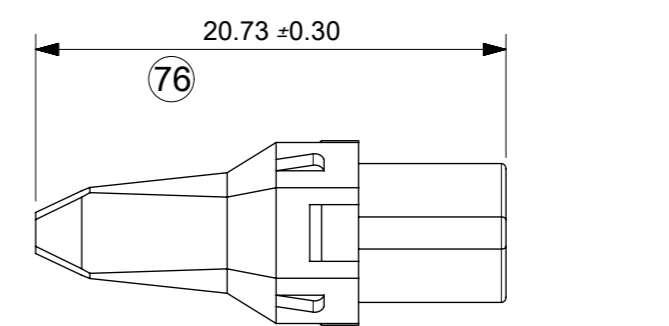
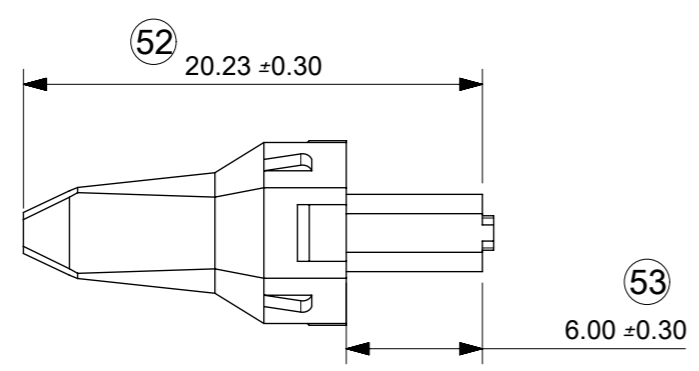
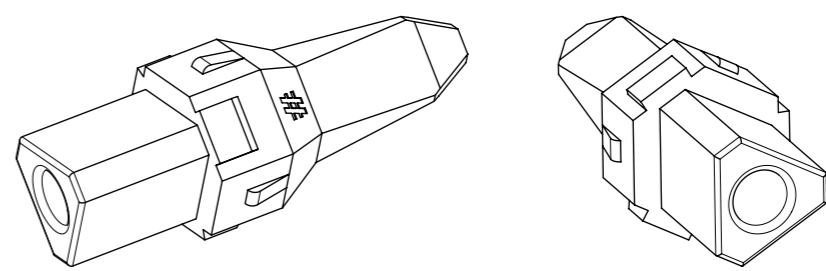
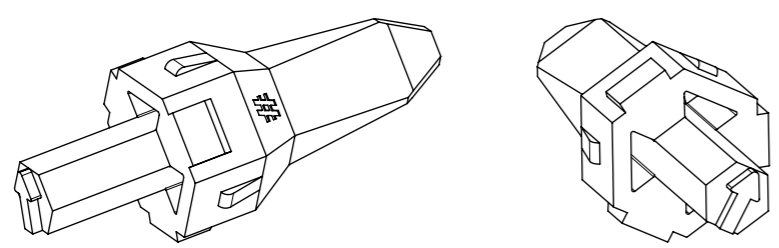
NOTES

1. SEE SHEET 2 FOR UNSPECIFIED NOTES AND DIMENSIONS
2. BACK COVER HOUSING COLOUR BLACK
3. PLEASE CONTACT MOLEX REGARDING HEATSHRINK HOUSING (HEATSHRINK HOUSING COLOUR: BLACK)

SYMBOLS		THIS DRAWING CONTAINS INFORMATION THAT IS PROPRIETARY TO MOLEX ELECTRONIC TECHNOLOGIES, LLC AND SHOULD NOT BE USED WITHOUT WRITTEN PERMISSION																							
▽ = 0	mm	SCALE	CURRENT REV DESC: REVISED																						
▽ = 0	GENERAL TOLERANCES (UNLESS SPECIFIED)																								
▽ = 0	ANGULAR TOL	± 2.0 °				3CCT ML-XT CV CONNECTOR																			
▽ = 0	4 PLACES	±							PRODUCT CUSTOMER DRAWING																
▽ = 0	3 PLACES	±										<table border="1" style="width: 100%; border-collapse: collapse; font-size: 8px;"> <tr> <td style="width: 40%;">DOCUMENT NUMBER</td> <td style="width: 20%;">DOC TYPE</td> <td style="width: 20%;">DOC PART</td> <td style="width: 20%;">REVISION</td> </tr> <tr> <td style="text-align: center;">934430020</td> <td style="text-align: center;">PSD</td> <td style="text-align: center;">000</td> <td style="text-align: center;">D</td> </tr> </table>			DOCUMENT NUMBER	DOC TYPE	DOC PART	REVISION	934430020	PSD	000	D			
DOCUMENT NUMBER	DOC TYPE	DOC PART	REVISION																						
934430020	PSD	000	D																						
▽ = 0	2 PLACES	± 0.1	<table border="1" style="width: 100%; border-collapse: collapse; font-size: 8px;"> <tr> <td colspan="2">INITIAL REVISION:</td> <td style="width: 20%;">MATERIAL NUMBER</td> <td colspan="2">CUSTOMER</td> </tr> <tr> <td style="width: 20%;">DRWN: JFLETCHER</td> <td style="width: 20%;">2014/12/12</td> <td style="text-align: center;">93443</td> <td style="text-align: center;">SEE CHART</td> <td style="text-align: center;">GENERAL MARKET</td> </tr> <tr> <td style="width: 20%;">APPR: JALEXANDER</td> <td style="width: 20%;">2015/01/22</td> <td colspan="3" style="text-align: center;">SHEET NUMBER</td> </tr> <tr> <td colspan="2"></td> <td colspan="3" style="text-align: center;">3 OF 7</td> </tr> </table>			INITIAL REVISION:		MATERIAL NUMBER	CUSTOMER		DRWN: JFLETCHER	2014/12/12	93443	SEE CHART	GENERAL MARKET	APPR: JALEXANDER	2015/01/22	SHEET NUMBER					3 OF 7		
INITIAL REVISION:		MATERIAL NUMBER				CUSTOMER																			
DRWN: JFLETCHER	2014/12/12	93443	SEE CHART	GENERAL MARKET																					
APPR: JALEXANDER	2015/01/22	SHEET NUMBER																							
		3 OF 7																							
▽ = 0	1 PLACE	± 0.2																							
▽ = 0	0 PLACES	±																							
■ = 0	DRAFT WHERE APPLICABLE MUST REMAIN WITHIN DIMENSIONS		THIRD ANGLE PROJECTION	DRAWING	SERIES																				
▽ = 0				A3-SIZE	93443																				

RECEPTACLE WEDGELOCK STANDARD

RECEPTACLE WEDGELOCK J1939

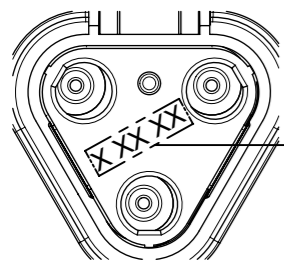
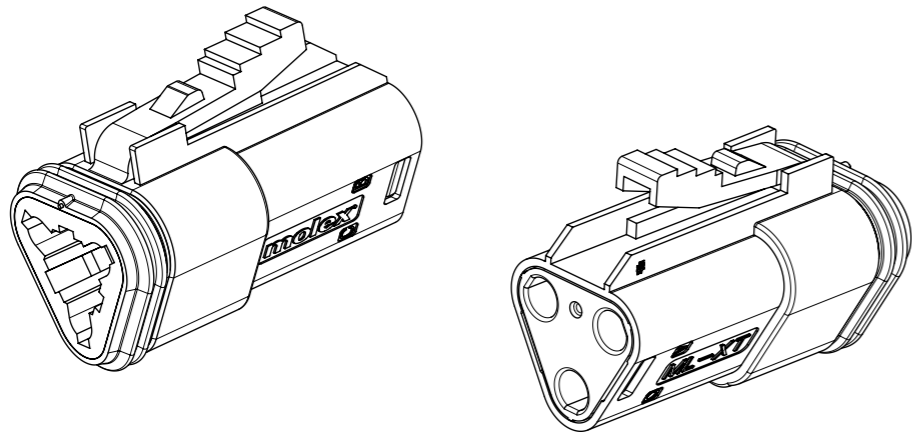


NOTES
 1. MATERIAL
 HOUSING: NYLON 30% GLASS FILLED
 COLOUR: GREEN
 2. PART NUMBER 934472003
 KEYING : STANDARD
 INSPECTION NUMBERS 51-75
 LAST INSPECTION NUMBER 53

NOTES
 1. MATERIAL
 HOUSING: NYLON 30% GLASS FILLED
 COLOUR: BLUE
 2. PART NUMBER 934472004
 KEYING: J1939
 INSPECTION NUMBERS 76-100
 LAST INSPECTION NUMBER 79

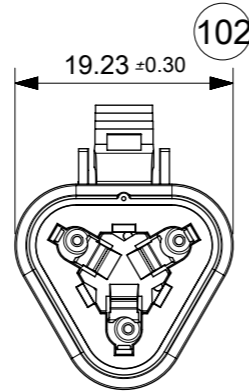
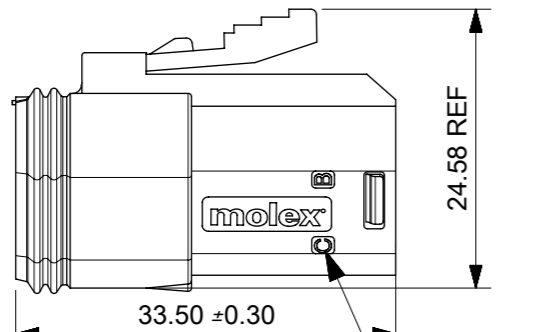
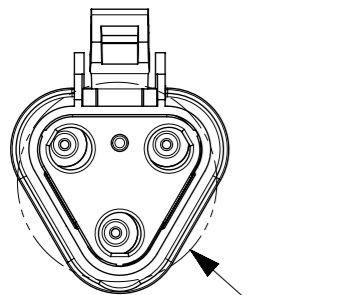
SYMBOLS		THIS DRAWING CONTAINS INFORMATION THAT IS PROPRIETARY TO MOLEX ELECTRONIC TECHNOLOGIES, LLC AND SHOULD NOT BE USED WITHOUT WRITTEN PERMISSION		CURRENT REV DESC: REVISED		molex	
▽ = 0	mm	SCALE		EC NO: 167662			
▽ = 0	GENERAL TOLERANCES (UNLESS SPECIFIED)		DRWN: JFLETCHER 2017/12/08		3CCT ML-XT CV CONNECTOR		
▽ = 0	ANGULAR TOL ± 2.0°		CHK'D: JDWALLACE 2018/02/07		PRODUCT CUSTOMER DRAWING		
▽ = 0	4 PLACES ±	APPR: JDWALLACE 2018/02/14		INITIAL REVISION:			
▽ = 0	3 PLACES ±	DRWN: JFLETCHER 2014/12/12		DOCUMENT NUMBER			
▽ = 0	2 PLACES ± 0.1	APPR: JALEXANDER 2015/01/22		934430020			
▽ = 0	1 PLACE ± 0.2	THIRD ANGLE PROJECTION		DOC TYPE DOC PART REVISION			
▽ = 0	0 PLACES ±	DRAWING		PSD 000 D			
▽ = 0	DRAFT WHERE APPLICABLE MUST REMAIN WITHIN DIMENSIONS	SERIES		MATERIAL NUMBER CUSTOMER SHEET NUMBER			
▽ = 0		A3-SIZE		93443 SEE CHART GENERAL MARKET 4 OF 7			

3CCT PLUG CONNECTOR



DETAIL B
SCALE 2:1

DATE CODE: X XX XX
 X — DAY: 1-7
 X — WEEK: 01 - 52
 X — YEAR: 00 - 99
 # — MACHINE NO. 1
 EXAMPLE: 11315 = DAY 1, WEEK 13, YEAR 15
 i.e. 23rd OF MARCH 2015

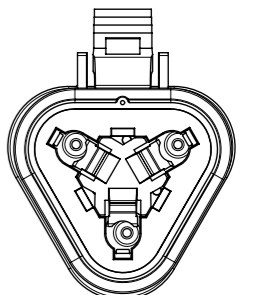
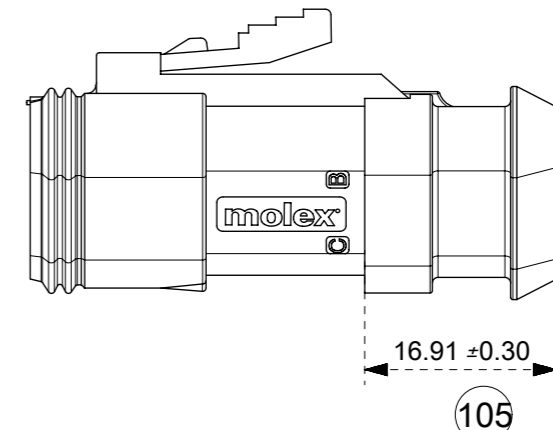
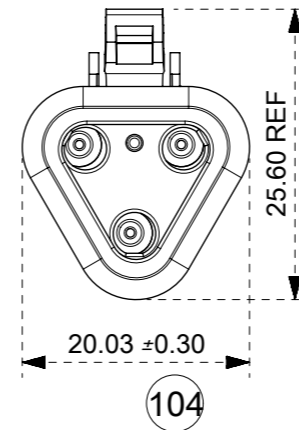
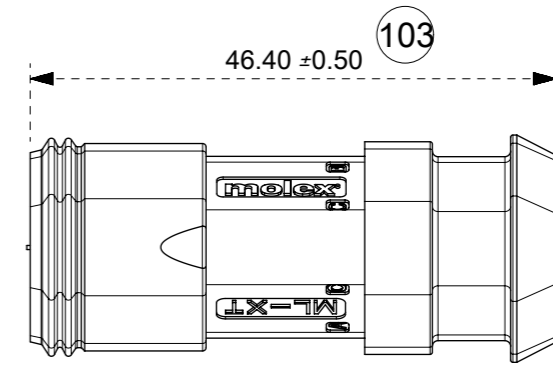
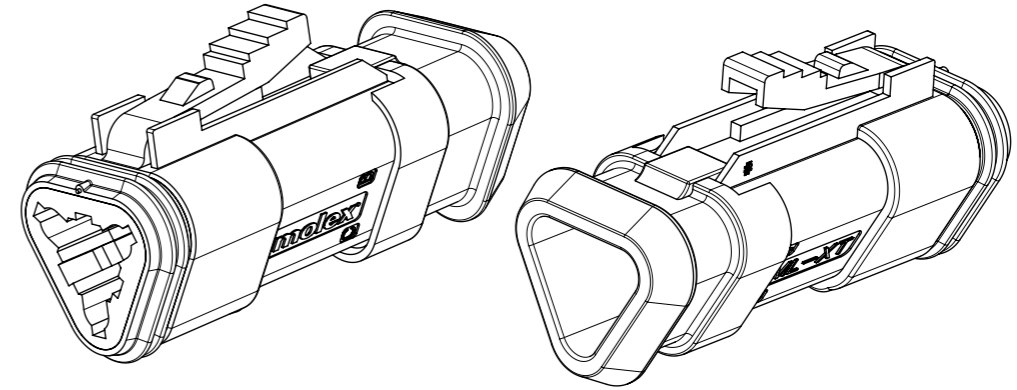


NOTES

- MATERIAL:
 HOUSING: NYLON 30% GLASS FILLED
 PLUG SEAL: SILICONE RUBBER
 BACK SEAL: HIGH CONSISTENCY RUBBER
- CIRCUIT IDENTIFICATION
- JACKET RANGE LARGE = \varnothing 2.23MM TO 3.68MM (SEAL COLOUR: LIGHT BLUE)
 JACKET RANGE SMALL = \varnothing 1.35MM TO 3.05MM (SEAL COLOUR: BURNT ORANGE)
- SEE SHEET 6 FOR FINAL PART NUMBER DESIGNATION
- INSPECTION NUMBERS 101-150 RESERVED FOR SHEET 5
 LAST INSPECTION NUMBER 105

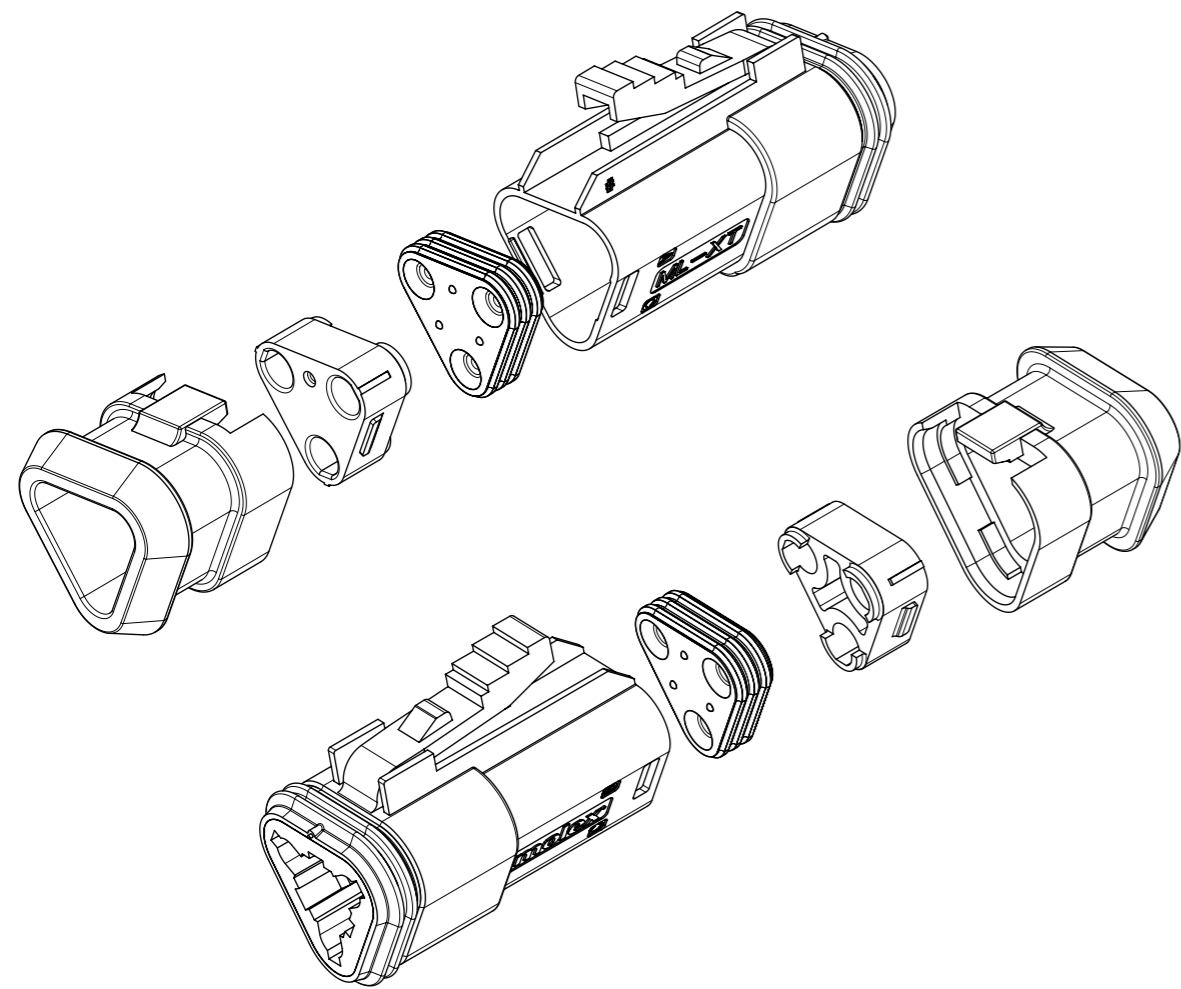
DOCUMENT STATUS | P1 | RELEASE DATE | 2018/02/14 12:39:49

3CCT PLUG CONNECTOR WITH HEATSHRINK HOUSING ULTRA SONICALLY WELDED IN PLACE



SYMBOLS		THIS DRAWING CONTAINS INFORMATION THAT IS PROPRIETARY TO MOLEX ELECTRONIC TECHNOLOGIES, LLC AND SHOULD NOT BE USED WITHOUT WRITTEN PERMISSION		CURRENT REV DESC: REVISED		molex	
▽ = 0	mm	SCALE			3CCT ML-XT CV CONNECTOR		
▽ = 0	GENERAL TOLERANCES (UNLESS SPECIFIED)		EC NO: 167662		DOCUMENT NUMBER		PSD 000 D
▽ = 0	ANGULAR TOL ± 2.0°		DRWN: JFLETCHER 2017/12/08		934430020		
▽ = 0	4 PLACES ±		CHK'D: JDWALLACE 2018/02/07		DOC TYPE		000 D
▽ = 0	3 PLACES ±		APPR: JDWALLACE 2018/02/14		DOC PART		
▽ = 0	2 PLACES ± 0.1		INITIAL REVISION:		REVISION		
▽ = 0	1 PLACE ± 0.2		DRWN: JFLETCHER 2014/12/12		MATERIAL NUMBER		SEE CHART
▽ = 0	0 PLACES ±		APPR: JALEXANDER 2015/01/22		CUSTOMER		
▽ = 0	DRAFT WHERE APPLICABLE MUST REMAIN WITHIN DIMENSIONS		THIRD ANGLE PROJECTION		DRAWING		5 OF 7
▽ = 0			A3-SIZE		SERIES		
				93443			

FORMAT: master-ib-prod-A3
 REVISION: 11
 DATE: 2018/01/18



3CCT PLUG CONNECTOR

93445

2

-

--

SERIES No. _____

CIRCUIT SIZE
2 = 3CCT

ASSEMBLY OPTIONS:

- 1 = PLUG ASSEMBLY FOR WIRE JACKET RANGE: \varnothing 1.35mm-3.05mm (NOTE 2)
- 2 = PLUG ASSEMBLY FOR WIRE JACKET RANGE: \varnothing 2.23mm-3.68mm (NOTE 2)
- 5 = PLUG ASSEMBLY & HEATSHRINK FOR WIRE JACKET RANGE: \varnothing 1.35mm-3.05mm (NOTE 3)
- 6 = PLUG ASSEMBLY & HEATSHRINK FOR WIRE JACKET RANGE: \varnothing 2.23mm-3.68mm (NOTE 3)

COLOUR

- 01=BLACK
- 02=GREY 06=WHITE
- 03=GREEN 07=BROWN
- 04=BLUE 08=ORANGE
- 05=YELLOW 09=RED

EXAMPLE:

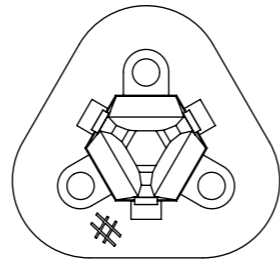
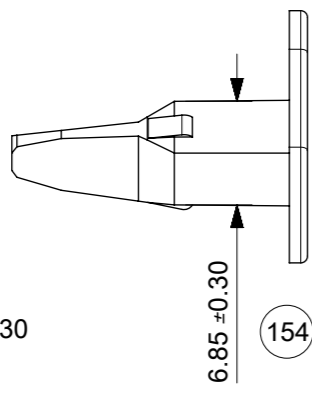
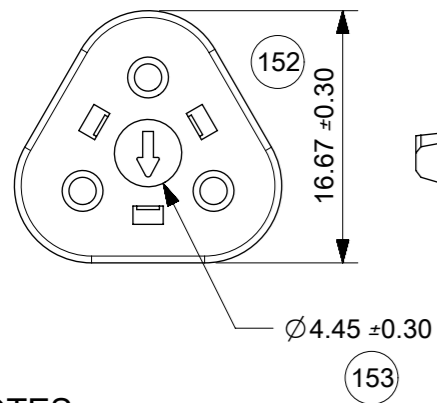
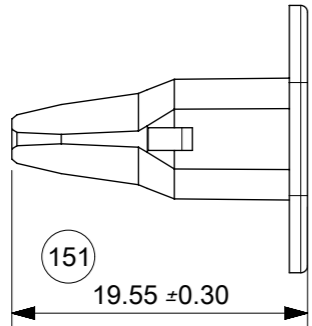
3cct PLUG BLACK WITH LARGE SEAL AND HEATSHRINK = 93444-2601

NOTES

1. SEE SHEET 5 FOR UNSPECIFIED NOTES AND DIMENSIONS
2. BACK COVER HOUSING COLOUR BLACK
3. PLEASE CONTACT MOLEX REGARDING HEATSHRINK HOUSING (HEATSHRINK HOUSING COLOUR: BLACK)

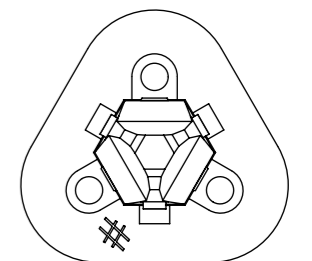
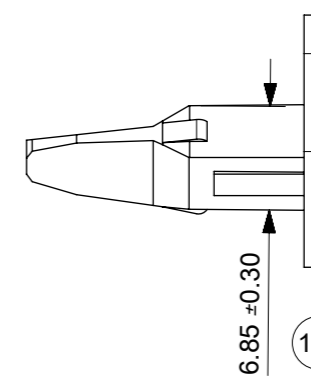
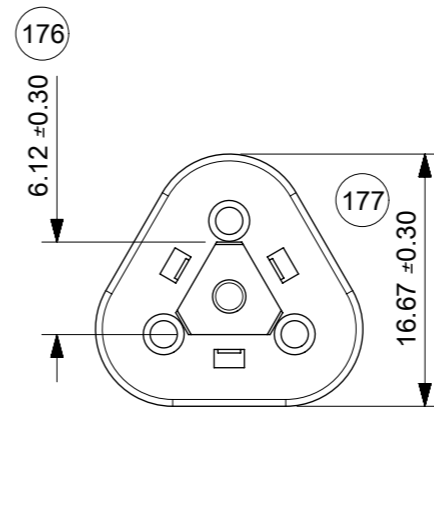
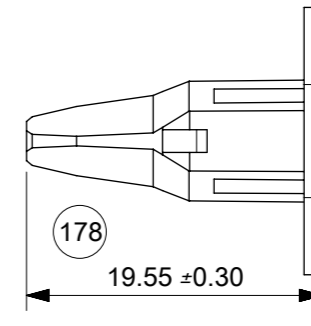
SYMBOLS	THIS DRAWING CONTAINS INFORMATION THAT IS PROPRIETARY TO MOLEX ELECTRONIC TECHNOLOGIES, LLC AND SHOULD NOT BE USED WITHOUT WRITTEN PERMISSION		CURRENT REV DESC: REVISED		molex
	DIMENSION UNITS	SCALE			
▽ = 0	mm			3CCT ML-XT CV CONNECTOR	
▽ = 0	GENERAL TOLERANCES (UNLESS SPECIFIED)				
▽ = 0	ANGULAR TOL ± 2.0°				PRODUCT CUSTOMER DRAWING
▽ = 0	4 PLACES ±	EC NO: 167662			
▽ = 0	3 PLACES ±	DRWN: JFLETCHER 2017/12/08			
▽ = 0	2 PLACES ± 0.1	CHK'D: JDWALLACE 2018/02/07			
▽ = 0	1 PLACE ± 0.2	APPR: JDWALLACE 2018/02/14			
▽ = 0	0 PLACES ±	INITIAL REVISION:		DOCUMENT NUMBER 934430020	
▽ = 0	DRAFT WHERE APPLICABLE MUST REMAIN WITHIN DIMENSIONS		DRWN: JFLETCHER 2014/12/12		
▽ = 0	THIRD ANGLE PROJECTION		APPR: JALEXANDER 2015/01/22		DOC TYPE PSD
		DRAWING	SERIES	MATERIAL NUMBER	CUSTOMER
		A3-SIZE	93443	SEE CHART	GENERAL MARKET
				SHEET NUMBER 6 OF 7	

PLUG WEDGELOCK STANDARD



- NOTES**
- MATERIAL**
HOUSING: NYLON 30% GLASS FILLED
COLOUR: GREEN
 - PART NUMBER 934482003**
KEYING : STANDARD
INSPECTION NUMBERS 151-175
LAST INSPECTION NUMBER 154

PLUG WEDGELOCK J1939



- NOTES**
- MATERIAL**
HOUSING: NYLON 30% GLASS FILLED
COLOUR: BLUE
 - PART NUMBER 934482004**
KEYING : J1939
INSPECTION NUMBERS 176-200
LAST INSPECTION NUMBER 179

SYMBOLS	THIS DRAWING CONTAINS INFORMATION THAT IS PROPRIETARY TO MOLEX ELECTRONIC TECHNOLOGIES, LLC AND SHOULD NOT BE USED WITHOUT WRITTEN PERMISSION		CURRENT REV DESC: REVISED			molex		
	DIMENSION UNITS	SCALE						
▽ = 0	mm		EC NO: 167662			DOCUMENT NUMBER		
▽ = 0	GENERAL TOLERANCES (UNLESS SPECIFIED)		DRWN: JFLETCHER 2017/12/08			934430020		
▽ = 0	ANGULAR TOL ± 2.0°		CHK'D: JDWALLACE 2018/02/07			DOC TYPE DOC PART REVISION		
▽ = 0	4 PLACES ±		APPR: JDWALLACE 2018/02/14			PSD 000 D		
▽ = 0	3 PLACES ±		INITIAL REVISION:			MATERIAL NUMBER CUSTOMER SHEET NUMBER		
▽ = 0	2 PLACES ± 0.1		DRWN: JFLETCHER 2014/12/12			93443 SEE CHART GENERAL MARKET 7 OF 7		
▽ = 0	1 PLACE ± 0.2		APPR: JALEXANDER 2015/01/22					
▽ = 0	0 PLACES ±		DRAFT WHERE APPLICABLE MUST REMAIN WITHIN DIMENSIONS					
▽ = 0	THIRD ANGLE PROJECTION		DRAWING		SERIES			
▽ = 0	A3-SIZE		93443					