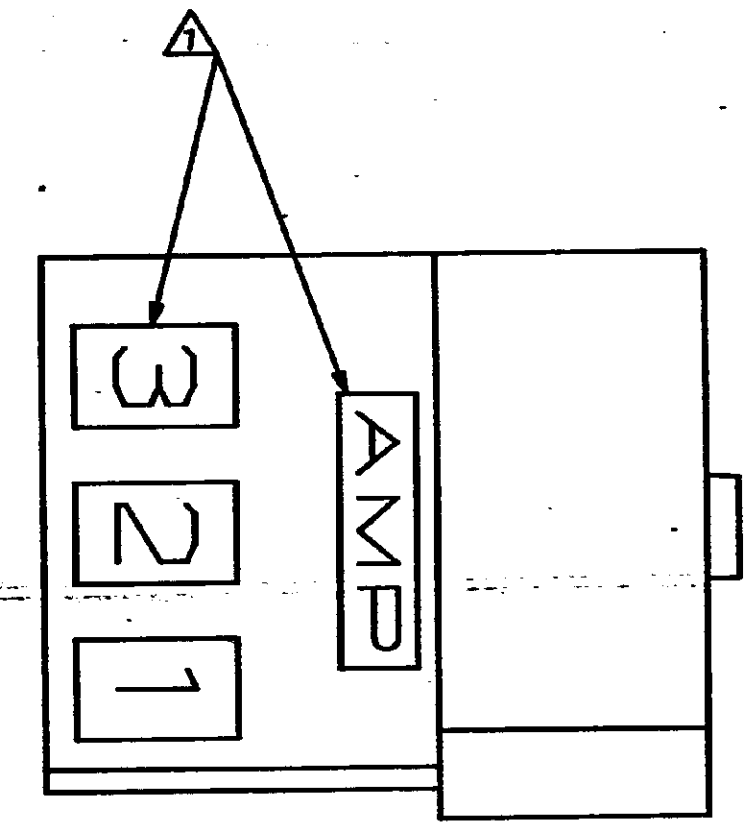
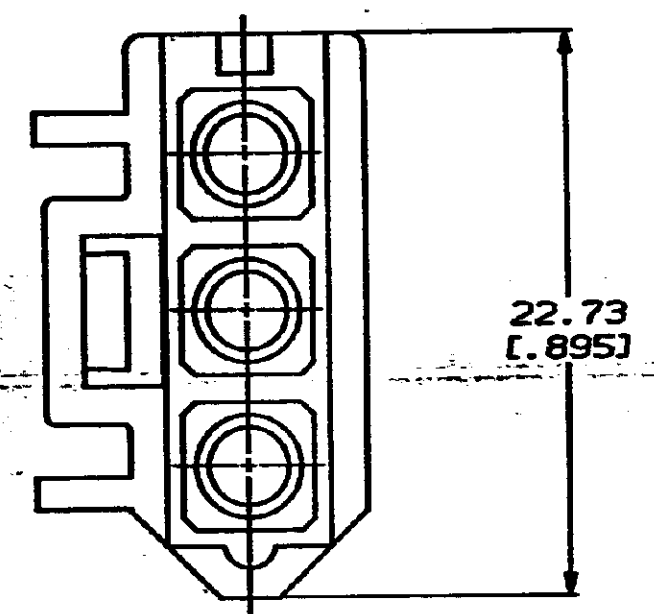
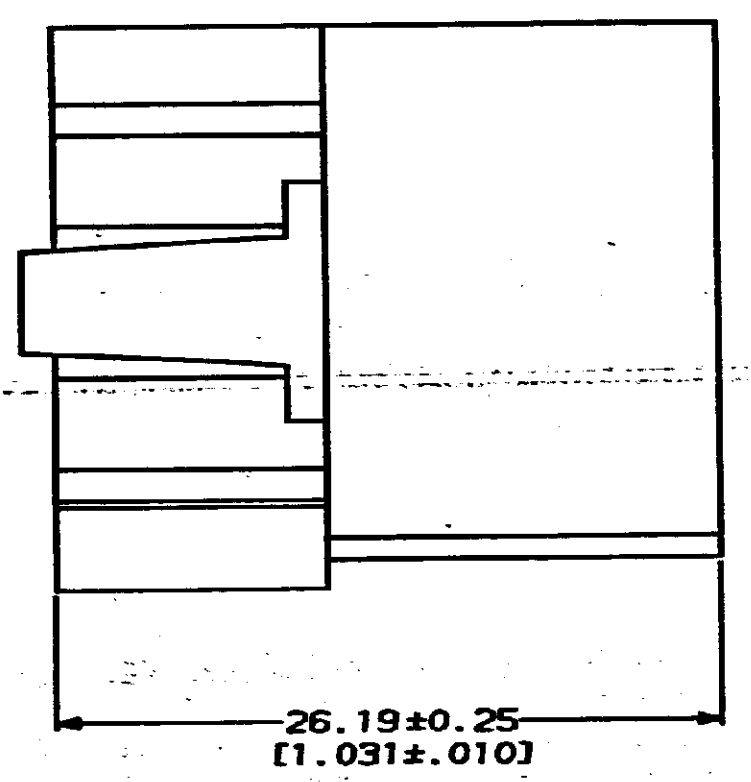
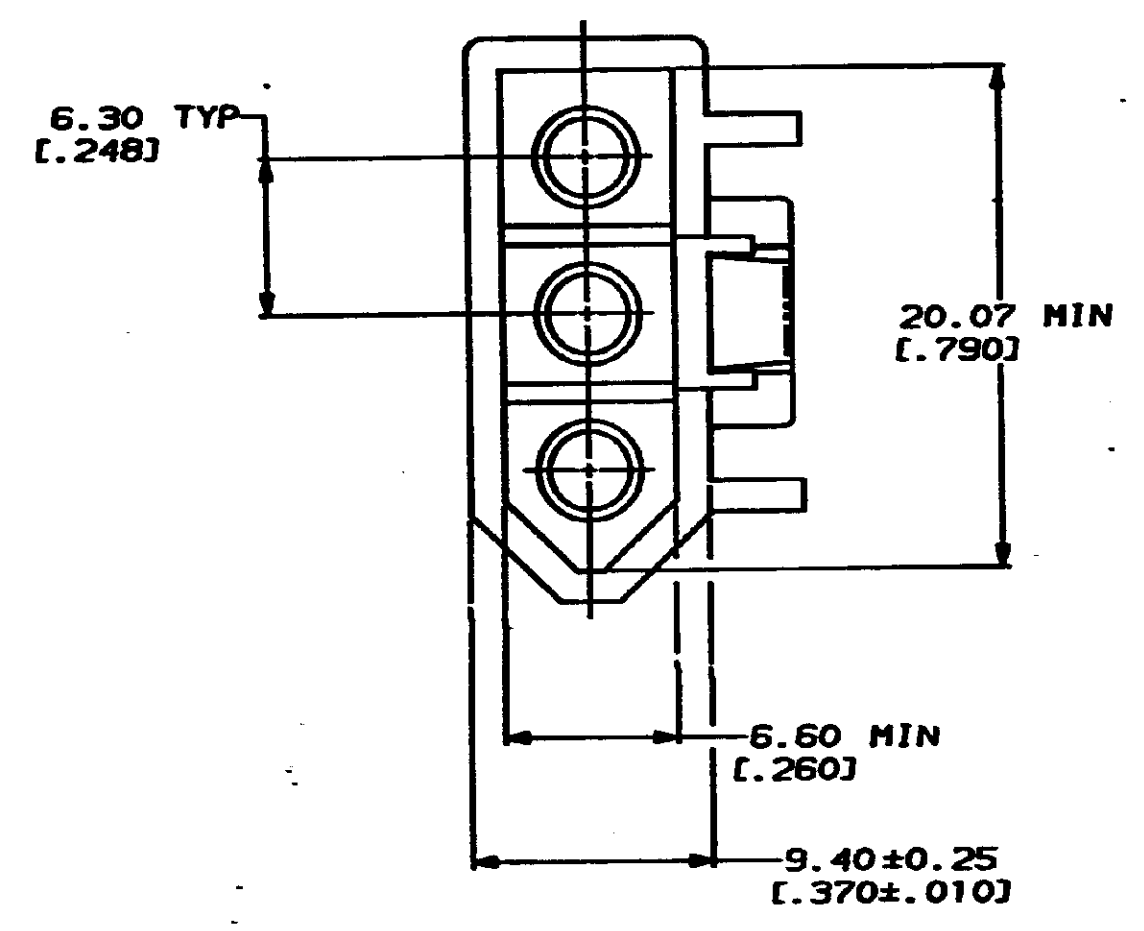
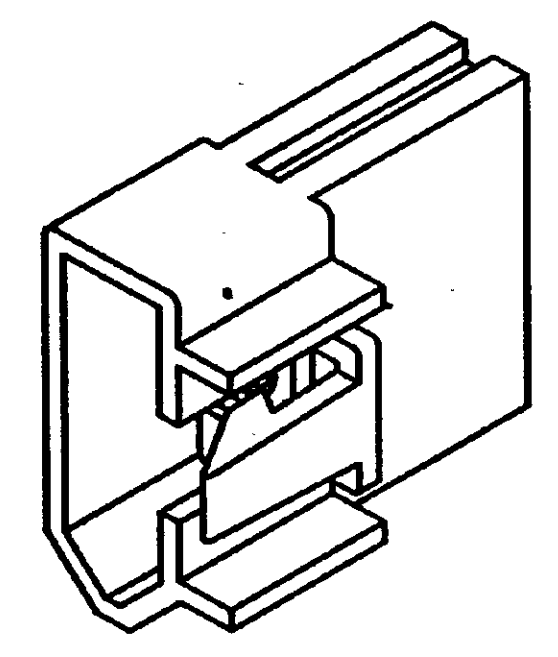


8
DRAWING MADE IN THIRD ANGLE PROJECTION
THIS DRAWING IS UNPUBLISHED. RELEASED FOR PUBLICATION
© COPYRIGHT 19 BY AMP INCORPORATED. ALL INTERNATIONAL RIGHTS RESERVED.

| REVISE | | ZONE | | LTR | | REVISIONS | | DATE | APPD |
|--------|----|------|--|-----|--|-----------|---|-------------------------|------|
| CM | 53 | | | | | | | 6-27-81 | MS |
| | | | | | | | C | REVISED PER ECN CN-3424 | |



△ AMP LOGO AND CIRCUIT NUMBERS LOCATED IN THIS AREA.
2. DIMENSIONS IN BRACKETS ARE IN INCHES.



3-DIMENSIONAL MODEL NTS

METRIC

| | | | | |
|--|--|----------------------------|---|--------------------|
| DO NOT SCALE PRINT. UNLESS SPECIFIED DIMENSIONS IN mm (INCHES) TOLERANCES ON + 2 PLC DEC ± - 3 PLC DEC ± 0.13 (0.005) ANGLES ± - | | DR K. WHITAKER 11-20-90 | 770783-1 PART NO | |
| MATERIAL NYLON, UL 94V-2 NATURAL | | CHK R. SMITH 11-20-90 | AMP AMP Incorporated Murrysburg, PA 17105-3508 | |
| FINISH - | | APPD C. CASH 11-20-90 | NAME PLUG, POSITIVE LOCK, 3 CIRCUIT, COMMERCIAL PIN AND SOCKET | |
| APPLICATION SPEC - | | PRODUCT SPEC - | SIZE D | CASE CODE 00779 |
| WEIGHT - | | SCALE 4:1 | DRAWING NO 770783 | SHEET 1 OF 1 |

CUSTOMER DRAWING