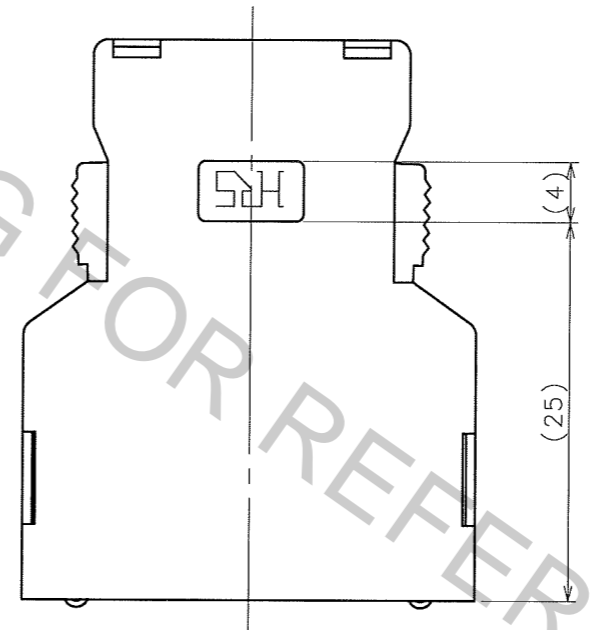
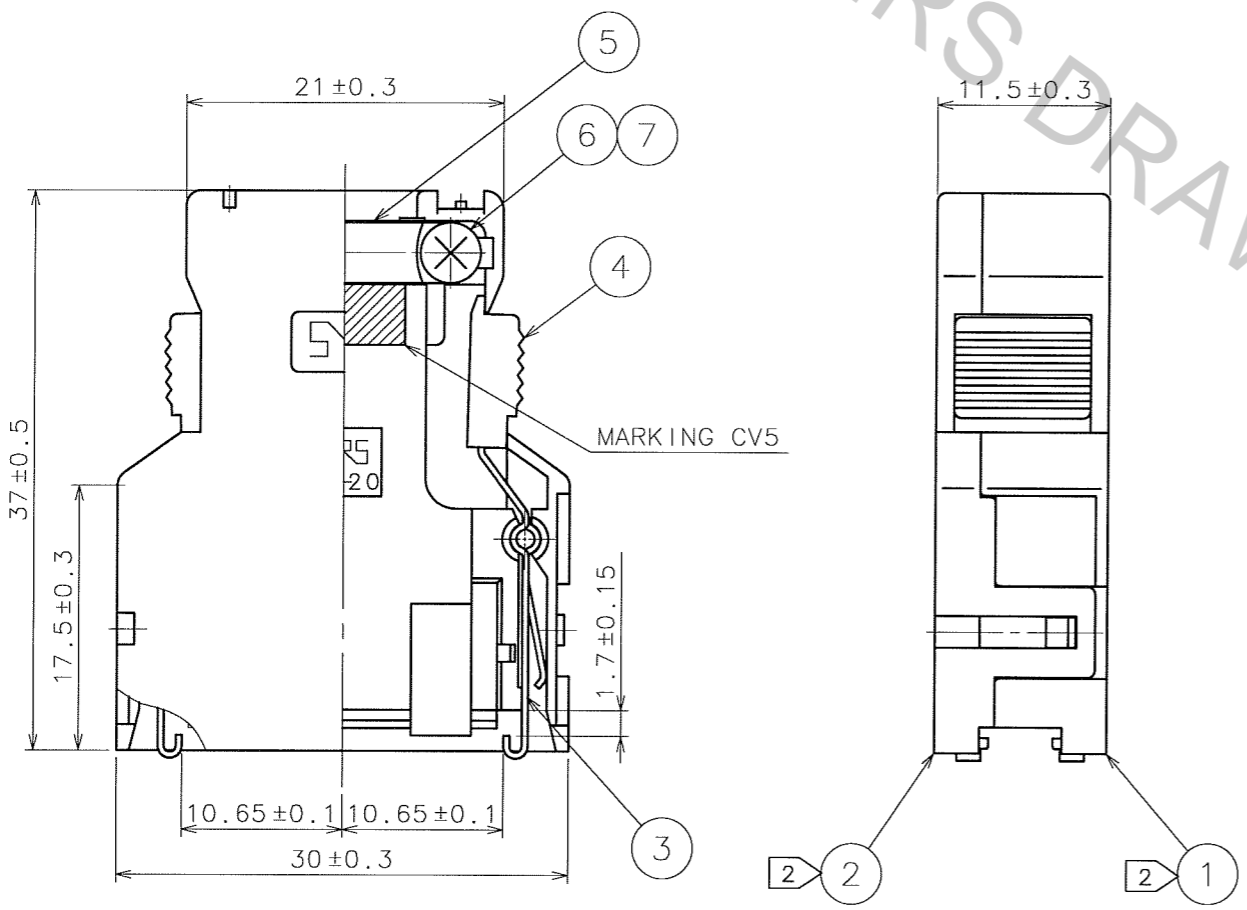
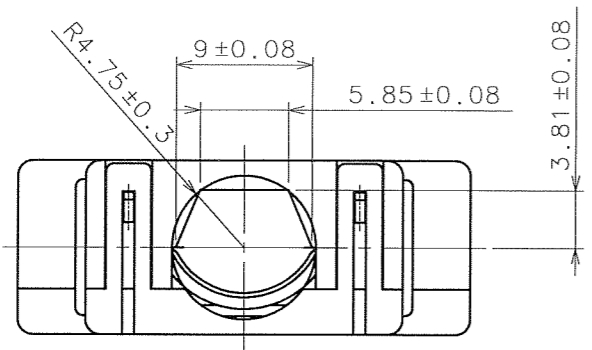


Apr.1.2017 Copyright 2017 HIROSE ELECTRIC CO., LTD. All Rights Reserved.

COUNT	DESCRIPTION OF REVISIONS	BY	CHKD	DATE	COUNT	DESCRIPTION OF REVISIONS	BY	CHKD	DATE
△				..	△				..
△				..	△				..
△				..	△				..



HRS DRAWING FOR REFERENCE

NOTE 1 OUTER SURFACE OF COVER CASE PART No.①AND② EXCEPT FOR THE AREA OF HRS MARKING IS MATT FINISHED EQUIVALENT TO TH-117, TANAZAWA HAKKOSHA CO.,LTD.
 ② PART No.③④⑤⑥AND⑦ ARE ASSEMBLED INTO PART No.①. PART No.①AND② ARE NOT ASSEMBLED WHEN DELIVERED.
 3 DIMENSIONS IN PARENTHESES ARE SHOWN AS REFERENCES.
 4 OUTER DIAMETER OF APPLICABLE CABLE IS $\phi 9.2 \pm 0.3$.

TO
Q1

NO.	MATERIAL	FINISH, REMARKS	NO.	MATERIAL	FINISH, REMARKS
4	POLYCARBONATE	(GRAY) UL94V-0	7	BRASS	NICKEL PLATING
3	STAINLESS STEEL		6	BRASS	NICKEL PLATING
2	POLYCARBONATE	(GRAY) UL94V-0	5	STAINLESS STEEL	
1	POLYCARBONATE	(GRAY) UL94V-0			

CODE NO. (OLD)	DRAWN	DESIGNED	CHECKED	APPROVED	RELEASED
	<i>Y. Sato</i> 05.10.13	<i>F. Taniguchi</i> 05.10.13	<i>Y. Enami</i> 05.10.13	<i>M. Miura</i> 05.10.13	..

SCALE	DRAWING NO.	PART NO.
2 : 1	EDC3-120074-01	F1-20-CV5(50)
UNITS	CODE NO.	
mm	CL230-0515-9-50	

Q1