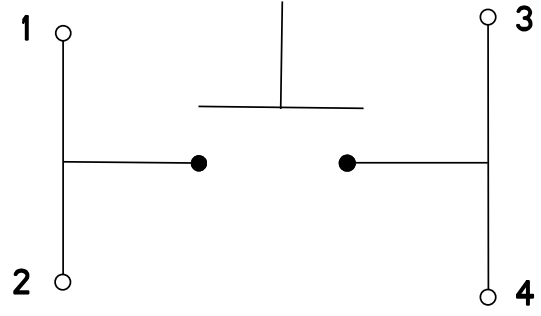
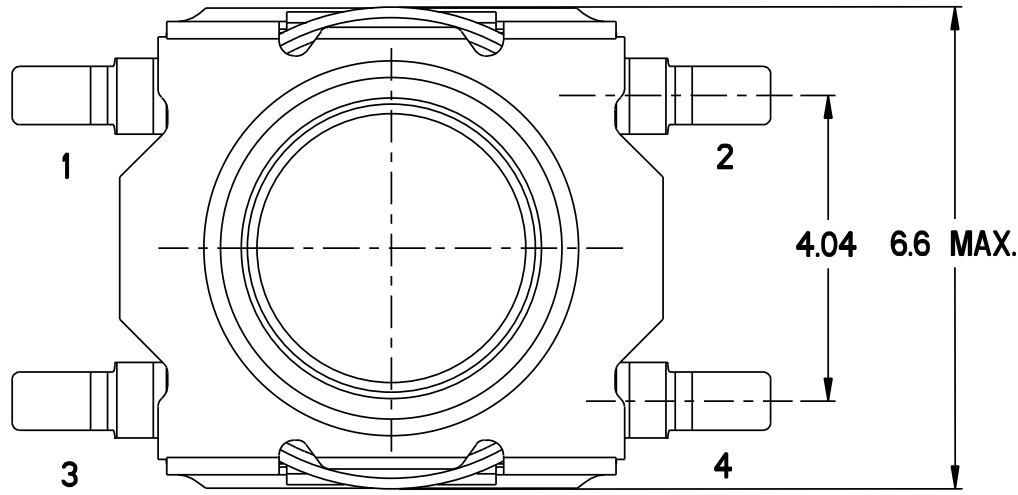
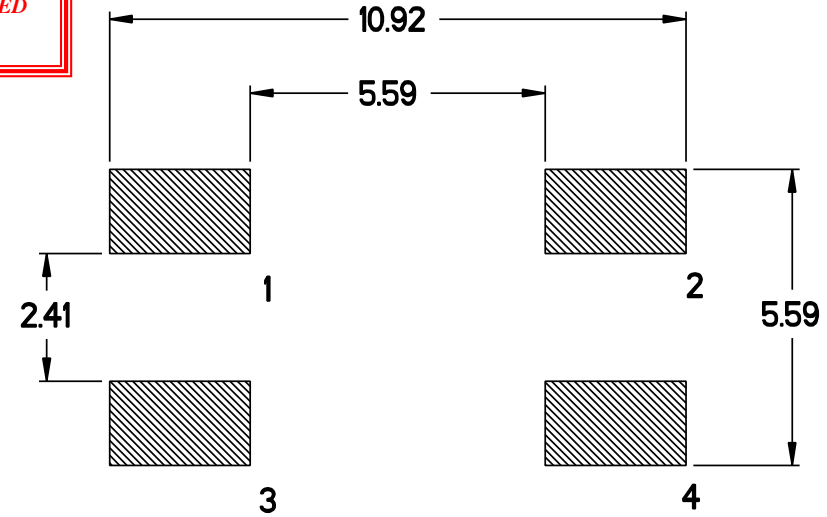


FOR REFERENCE ONLY
 仅供参考
 THIS PRINT WILL NOT BE UPDATED
 不作自动更新

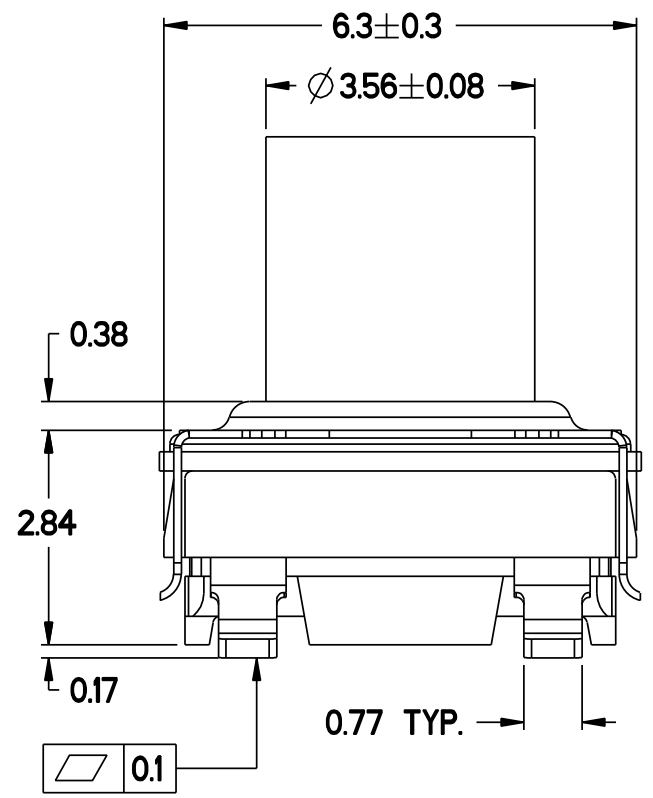
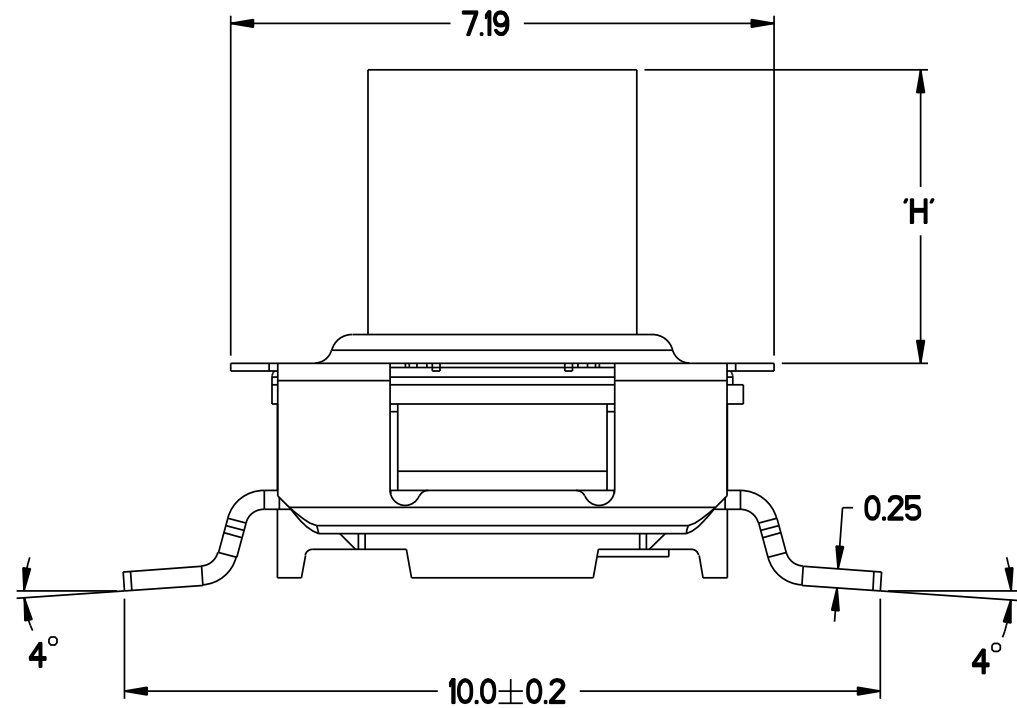


SCHEMATIC



SUGGESTED PAD LAYOUT

SCALE: 7:1



Reference	Designation	Plating	Dimension 'H'	Switching Force (N)
YT1043520FP LFS	KT11P2SM34LFS	SILVER	2.36	1.725 TO 2.875
YT1063520FP LFS	KT11P4SM34LFS	SILVER	3.96	1.725 TO 2.875
YT1042520FP LFS	SS-2514-88 LFS	SILVER	2.36	1.35 TO 2.35

LF version	Contact area (1 face)	Terminal area (2 faces)
LFS	0.5 um min Ag plate over 1.3 um min Nickel plate	0.2-0.6 um Ag plate all over 1.3 um Ni plate all over

TOLERANCE:
 LINEAR: ± 0.12
 ANGLUAR: ± 3°

DO NOT SCALE				PDM:		A3/B	
Drawn	CDY	04-Apr-06	Material:			Pro/E Generic Model	
Checked	KT	04-Apr-06					
Engineer	CDY	04-Apr-06	Treatment:		Cannon Electronics (SZ) Co. Ltd.	Toupandun Industrial Area, Jinda Cheng, Xiner Village, Shajing Town, Baoan District, Shenzhen City PRC 518125	
Manufact.							
Assembly			Dimensions in: mm	Unless Specified	Ref:	KT11P2/4SMLFx	
Quality							
Approvals	Sign	Date	Cust Spec No:	Scale 10:1	Sheet 1 of 1	Drwg. No. CU_T1.M02.002_FP	
- RIE-1707 INITIAL ISSUE		04-Apr-06	This is issued in strict confidence on condition that it is not used as a basis for manufacture or sale and that it is not copied reprinted or disclosed to a third party either wholly or in part without the prior written consent of ITT Industries © 04-Apr-06				
Iss Rev	DCN/ECN or Description		Date				iss/rev -