

**150** mm sq.

# San Ace 150



## General Specifications

- Material ..... Frame: Plastics (Flammability: UL94V-0),  
Impeller: Plastics (Flammability: UL94V-1)
- Expected Life ..... Refer to specifications (L10:Survival rate:90% at 60°C ,  
rated voltage, and continuously run in a free air state)
- Lead Wire ..... ⊕red ⊖black or blue (Sensor) yellow
- Storage Temperature ..... -30°C to +70°C (Non-condensing)

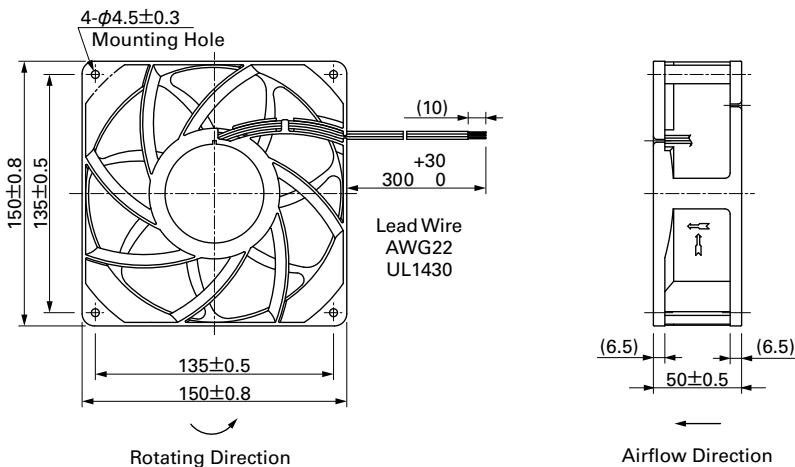
**150×150×50**mm (Mass : 450g) **9GV type**

**Specifications** The following nos. **have pulse sensors and ribs.** For ribless, append "1" to the model no.

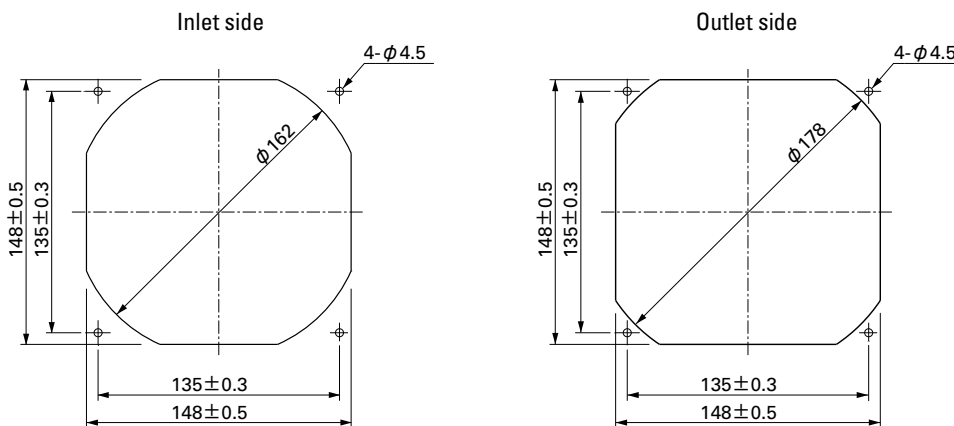
Model No.	Rated Voltage [V]	Operating Voltage Range [V]	Rated Current [A]	Rated Input [W]	Rated Speed [min <sup>-1</sup> ]	Max. Airflow [m <sup>3</sup> /min] [CFM]	Max. Static Pressure [Pa] [inchH <sub>2</sub> O]	SPL [dB(A)]	Operating Temperature [°C]	Expected Life [h]
<b>9GV1512H501</b>	12	10.2 to 13.8	2.9	34.8	3,900	8.54	300	210	0.84	61
<b>9GV1512M501</b>			1.2	14.4	3,000	6.35	224	132	0.53	53
<b>9GV1524M501</b>	24	20.4 to 27.6	0.6	14.4	3,000	6.35	224	132	0.53	53

Other sensor specifications are available as options. Please refer to the index (p. 508).

## Dimensions (unit: mm) (With ribs)



## Reference Dimensions of Mounting Holes and Vent Opening (unit: mm)



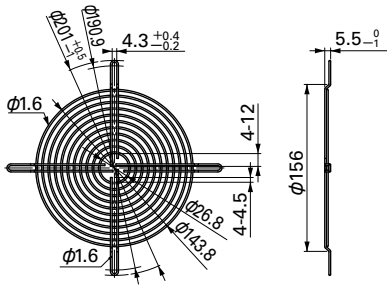
Options (unit: mm)

Finger Guards

Model : 109-1051 Surface treatment : Nickel-chrome plating (silver) Color

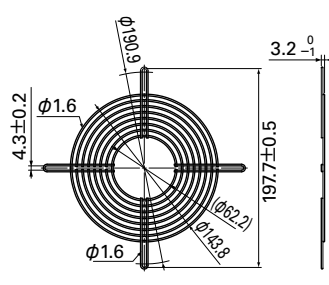
Model : 109-1052 Surface treatment : Nickel-chrome plating (silver) Color

Inlet side, Outlet side



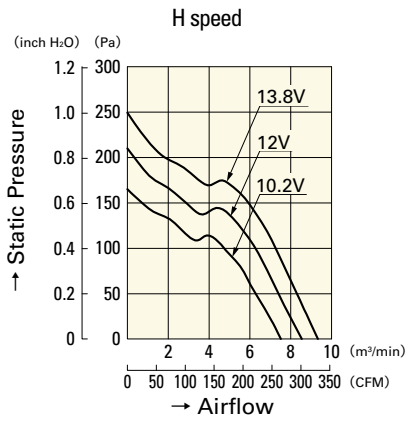
Mass : 63g

Outlet side

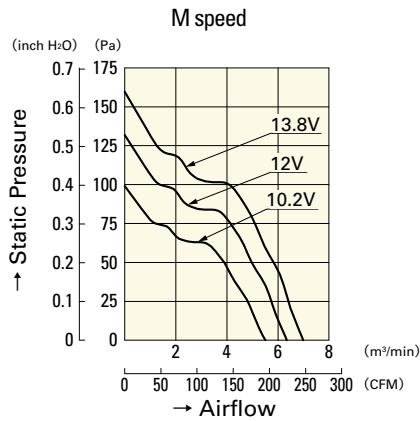


Mass : 53g

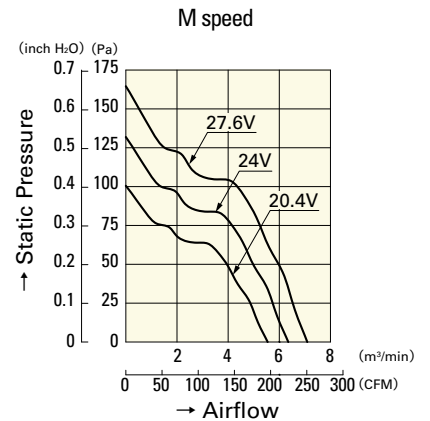
Airflow - Static Pressure Characteristics



9GV1512H501



9GV1512M501



9GV1524M501