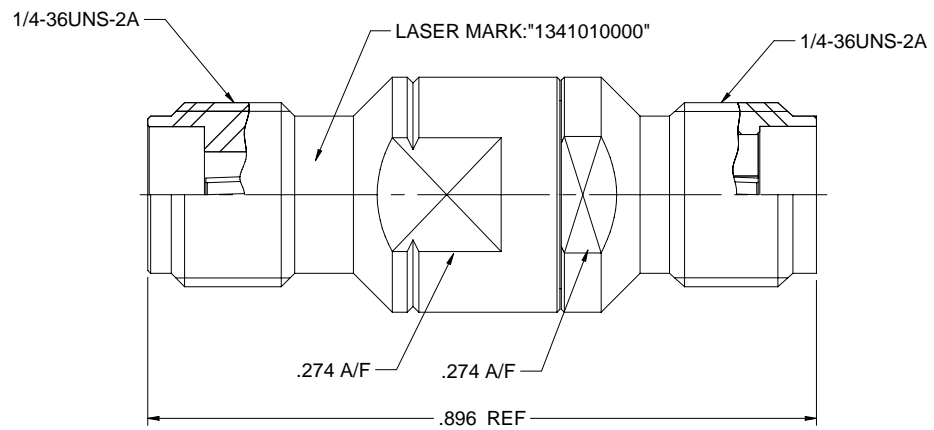


MODEL NO.	PACKAGING
134-1010-000	ONE PCS PER BAG

REV	ECO	DATE
001	ECO-17-0002	11/28/2017



NOTES: UNLESS OTHERWISE SPECIFIED

1. MATERIAL & FINISH:
 - 1.1 BODY: PASSIVATED STAINLESS STEEL
 - 1.2 CONTACT PIN: GOLD PLATED BERYLLIUM COPPER
 - 1.3 INSULATOR: PTFE WHITE
2. ELECTRICAL:
 - 2.1 IMPEDANCE: 50 OHMS
 - 2.2 FREQUENCY RANGE: 0-26.5 GHz
 - 2.3 VOLTAGE STANDING WAVE RATIO: 1.3 MAX
 - 2.4 DIELECTRIC WITHSTADING VOLTAGE: 750 VRMS MIN
 - 2.5 CONTACT RESISTANCE:
 - 2.5.1 CENER CONTACT: 3 MILLIOHM MAX
 - 2.5.2 OUTER CONTACT: 2 MILLIOHM MAX
 - 2.6 INSULATOR RESISTANCE: 5000 MEGOHM MIN
3. MECHANICAL:
 - 3.1 ENGAGEMENT/DISENGAGEMENT FORCE: 2 IN-LBS. MAX
 - 3.2 CONTACT RETENTION: 6 LBS MIN
 - 3.3 DURABILITY: 500 CYCLES MIN
4. ENVIRONMENT:
 - 4.1 THERMAL SHOCK: MIL-STD-202, METHOD 107, CONDITION B.
 - 4.2 OPERATING TEMPERATURE: -55TO 125°C
 - 4.3 SALT SPRAY: MIL-STD-202, METHOD 101, CONDITION B
 - 4.4 SHOCK: MIL-STD-202, METHOD 213, CONDITION I
 - 4.5 VIBRATION: MIL-STD-202, METHOD 204, CONDITION D
 - 4.6 MOISTURE RESISTANCE: MIL-STD-202, METHOD 106

	Model No. 134-1010-000	Johnson	
			Title: ADAPTER ASSEMBLY, SMA(2.92mm) JACK TO SMA JACK
<small> This RoHS2 Declaration certifies that the product described herein does not contain any of the restricted substances in quantities in excess of those permitted under the European Union Restriction of Hazardous Substances (RoHS) Directive 2002/95/EC and any amendments to that Directive that are in effect as of the date of this declaration. </small>	Drawing No. 134-1010-000	Rev. 001	Date: 10/10/2017
Drawn by: Betty Yu	Scale: C	Do Not Scale Drawings: NONE	Sheet 1 of 1