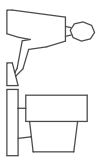


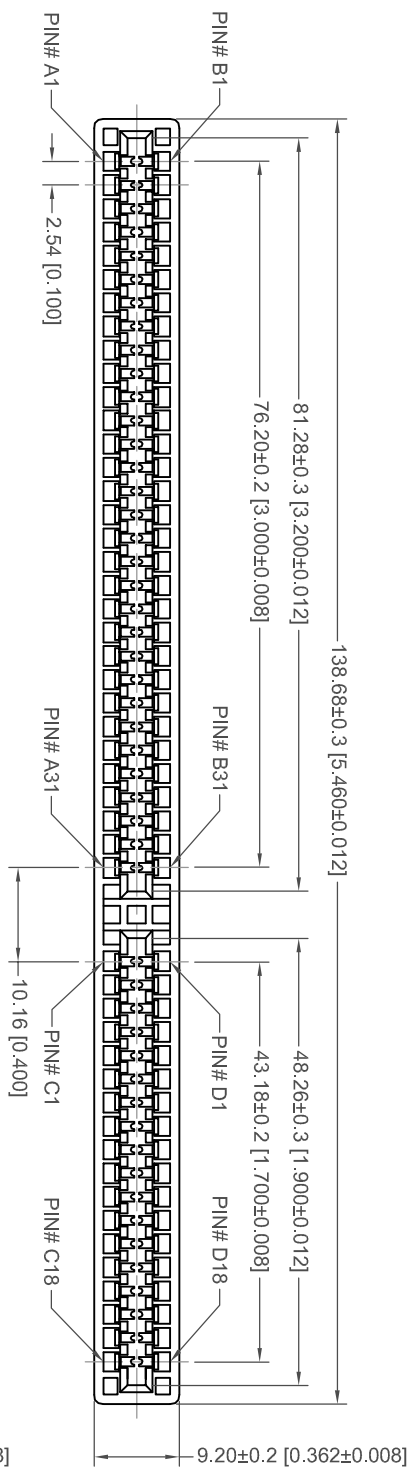
TOLERANCE UNLESS OTHERWISE SPECIFIED IN MM:
 0.0
 0.00
 0.000
 0.000

ANGLE ±X°
 ±0.30
 ±0.20
 ±0.10

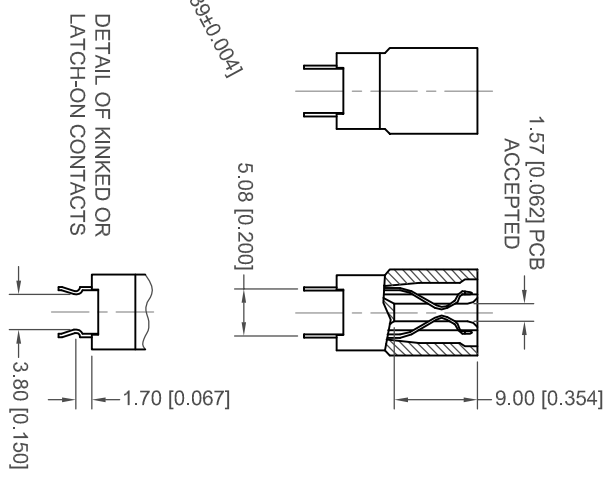
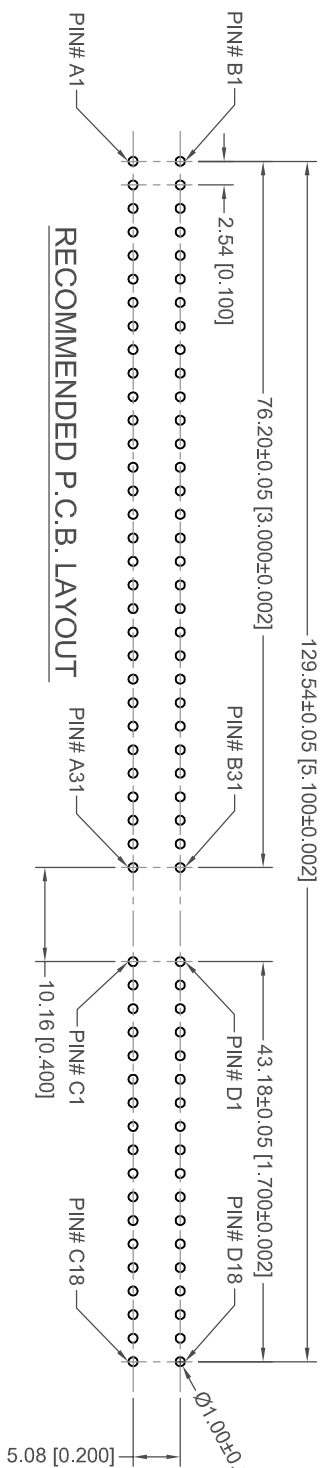
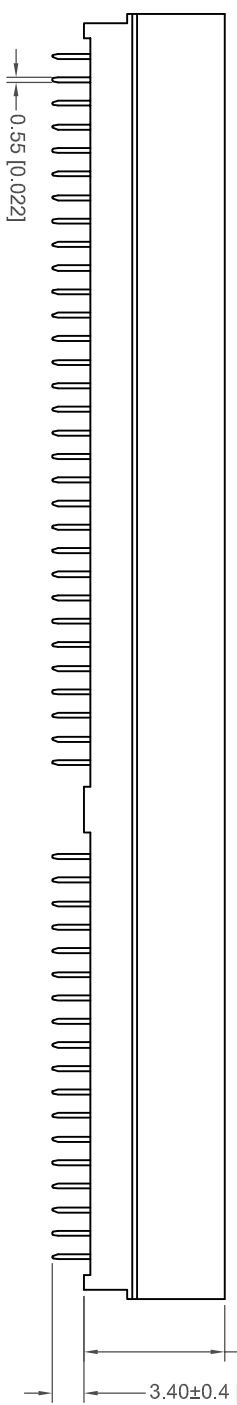
THIS IS A C.A.D. GENERATED DRAWING
 DO NOT MAKE MANUAL REVISIONS TO MASTER.



ISSUE NUMBER	1
ORIGINAL	1
UPDATE DRAWING	2
R.STA.MONICA	APR.18/2012



- NOTES:
1. INSULATOR: GLASS REINFORCED PBT
 2. CONTACT: BRASS, PLATED WITH BRIGHT TIN PLATING ALL OVER NICKEL PLATING
 3. 8 PAIRS KINKED OR LATCH ON CONTACT A2,A3, A24,A25, A28,A29, C16,C17 B2,B3, B24,B25, B28,B29, D15,D17
 4. UNITS: MM [INCHES]



THIS SERIES FULLY CONFORMS TO THE EUROPEAN UNION DIRECTIVES 2002/95/EC AND 2002/96/EC FOR ROHS COMPLIANCY.

395-098-520-350
 CARD EDGE CONNECTOR

EDAC INC
 TORONTO, ONTARIO
 CANADA

YOUR CONNECTION TO QUALITY & SERVICE

THESE DRAWINGS AND SPECIFICATIONS ARE THE PROPERTY OF EDAC INC. AND SHALL NOT BE REPRODUCED OR COPIED OR USED AS THE BASIS FOR THE MANUFACTURE OR SALE OF APPARATUS WITHOUT WRITTEN PERMISSION.

ACAD REFERENCE NO.: 395-098-520-350	
DRAWN: R.STA.MONICA	DATE: APR.18/2012
CHECKED:	DATE:
PART NUMBER	
395-098-520-350	SHEET 1 OF 1
DRAWING NUMBER	ISSUE
395-098-520-350	2