

7361Z0001SxxLF

Lead Free Version (Optional)
Customer Specificity

GENERAL

This Smart Card Reader uses a sliding contact technology. It has been designed for easy mounting on metal panel.

ELECTRICAL PROPERTIES

Insulation resistance : 5000 M
Dielectric withstanding : 750 VAC
Current carrying capacity : 10 μ A min. 1A max.
Contact resistance : 100 m
Card sensor type : Blade switch normally closed

MECHANICAL PROPERTIES

EMV compatible and according to ISO 7816-2
Contact normal force : between 0.2 N to 0.6 N per contact
Insertion force : 10 N max.
Withdrawal force : 1 N min.
Max. number of mating operations : 10000 card insertions.

CAPACITOR :

100nF, chip size 0805 in (2012 mm), Y5V, 25V or 50V

READER MATERIAL

Housing : Thermoplastique, 30% GF, Colour black, Rated UL94V0
Contacts and switch : Phosphor bronze
Plating : precoat Nickel 2.5 μ m min. all over
Gold 0.2 μ m min. on contacts areas
SnPB 3 μ m min. on termination contacts for Leaded version
Matte Sn 3 μ on termiantion end for Leadfree version

ENVIRONMENT

Operating temperature : -20 °C / +70 °C
Storage temperature : -40 °C / +85 °C
Panel thickness : 0.8+-0.1 mm

PACKAGING

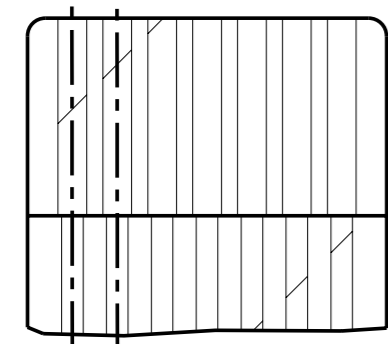
Trays
Packaging specification : VGN11646

LEAD FREE VERSION:

"This product meets European Union Directives and other country regulations as described in GS-22-008"

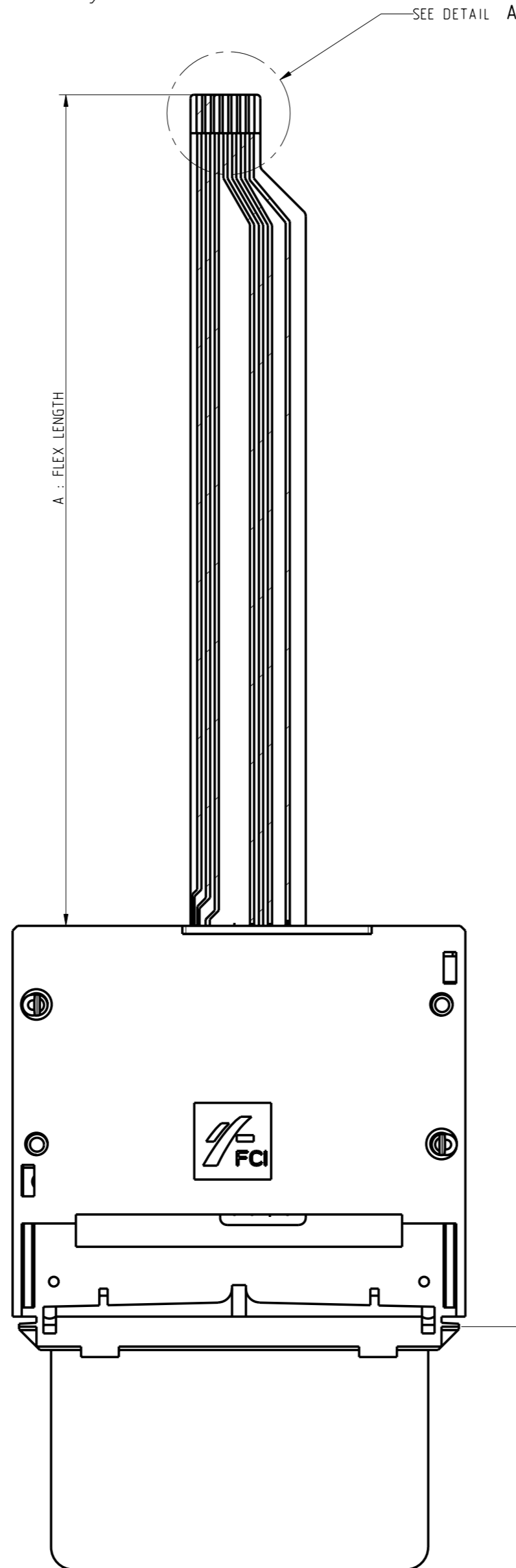
The housing will withstand exposure to 260°C peak temperature for 10seconds in a wave solder application with a 1.6mm minimum thick circuit board. Use protective adhesive tape (Kapton or Teflon) or protective metallic devices on the areas which are directly exposed to wave soldering as it is used in classical leaded wave soldering

B : TERMINAL PITCH

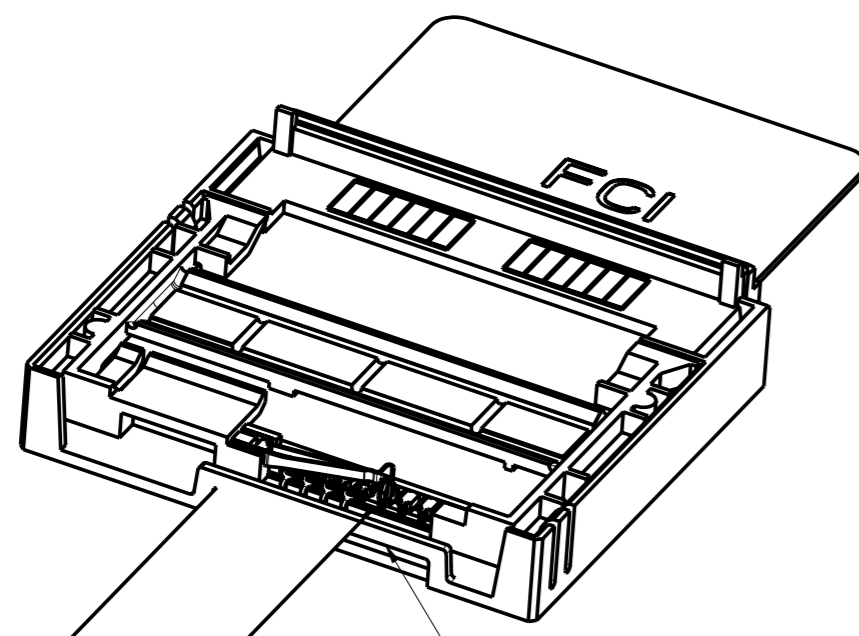


DETAIL A
SCALE 5/1

A : FLEX LENGTH



C : DISTANCE PANEL/CARD



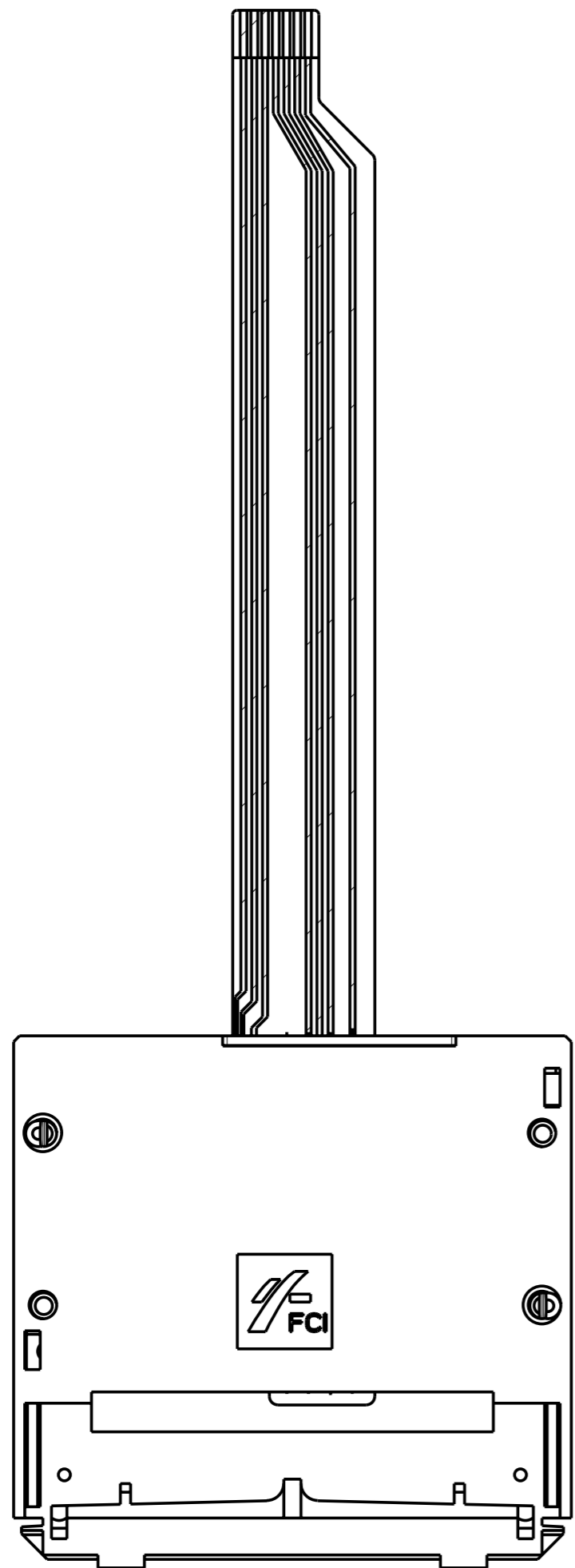
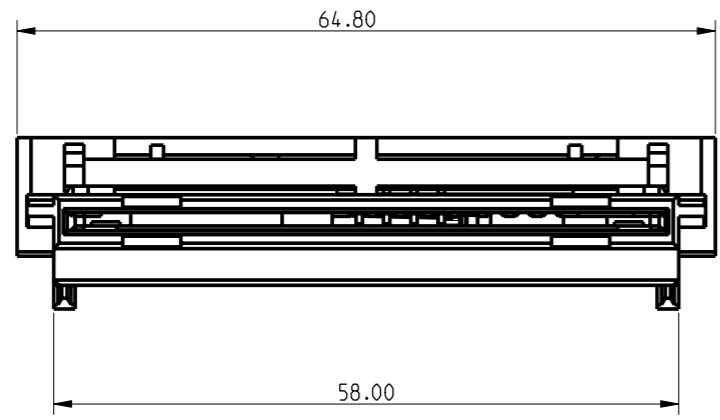
FLEX SUPPORT

SCALE 19/15

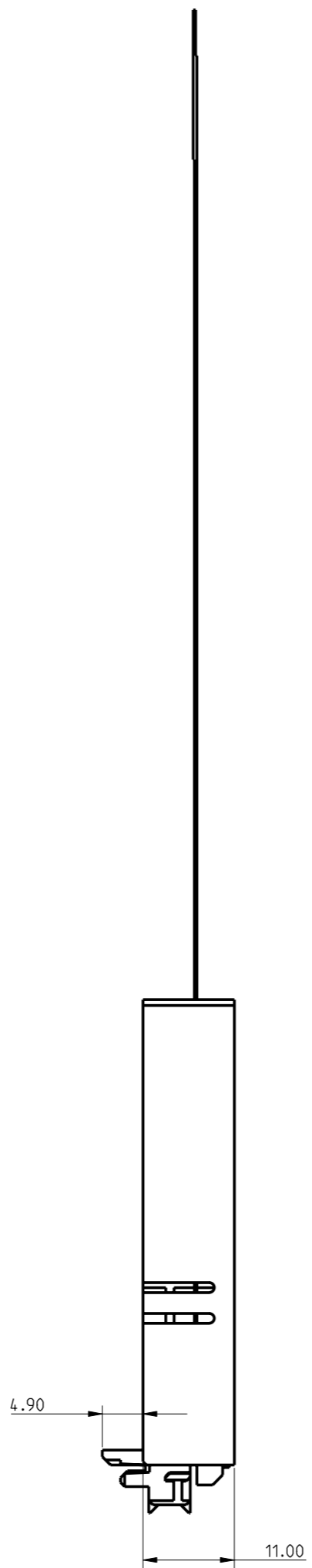
SCALE 3/2

| rev | ecn no | dr | date |
|-----|----------|-----|------------|
| B | 105-0158 | DTK | 2005/09/11 |
| C | 106-0084 | SSC | 2006/06/21 |
| - | - | - | - |
| - | - | - | - |
| - | - | - | - |
| - | - | - | - |

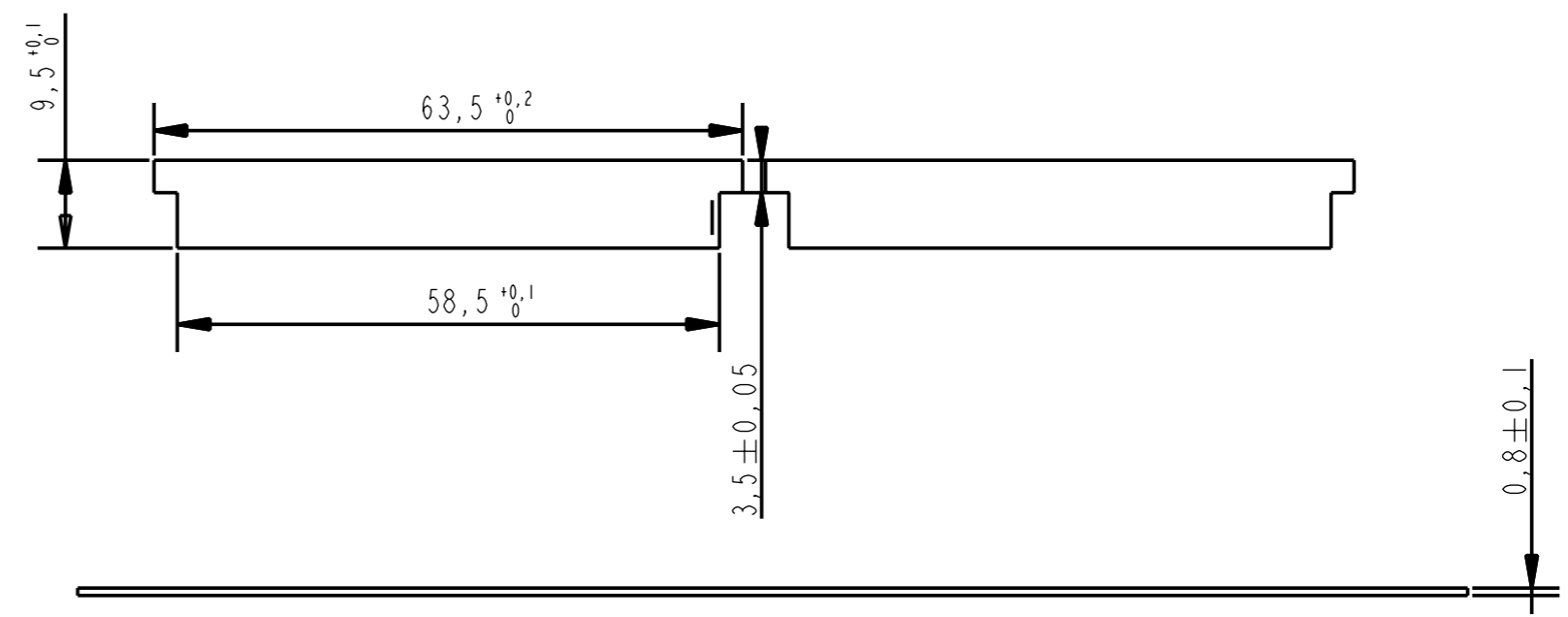
| | | | | | | | |
|--------------------|-------------|---------------------------------------|-----------------------------------|--------------|----------|------|--|
| www.fciconnect.com | | surface | tolerance std | projection | MM | | |
| | | ✓ | Lin ± 0.1 Ang $\pm 0.5^\circ$ | | | | |
| | | TOLERANCES UNLESS OTHERWISE SPECIFIED | | | | | |
| Dr | DILIPTHOMAS | 2006/08/20 | ANGULAR | 0.x | ± | size | |
| Eng | DILIPTHOMAS | 2005/08/20 | LINEAR | 0.xx | ± | A2 | |
| Chr | DILIPTHOMAS | 2006/06/21 | 0° ± | 0.xxx | ± | ECN | |
| Appr | K.V.SIVADAS | 2006/06/21 | Product family | | 106-0084 | | |
| FCI | | READER PANEL MOUNT | | Spec ref | | Rev. | |
| SMARTCARD | | catalog no | | VJW55019 | | C | |
| | | SEE TABLE | | sheet 1 of 3 | | | |



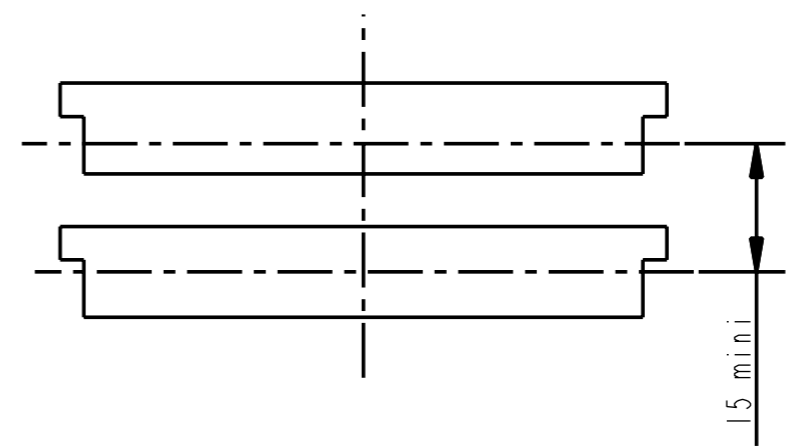
SCALE 3/2



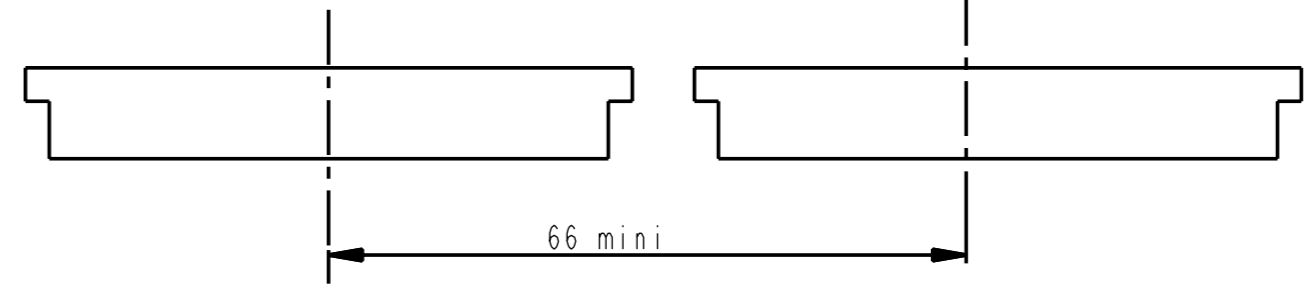
RECOMMENDED FRONT PANEL CUT-OUT



VERTICAL STACKING



HORIZONTAL STACKING



Copyright FCI. FCI

| | | | | | |
|--------------------|-------------|---------------------------------------|--------------------|--------------|-----------|
| www.fciconnect.com | | surface | tolerance std | projection | MM |
| | | ✓ | Lin ±0.1 Ang ±0.5° | ⊕ | ←→ |
| | | TOLERANCES UNLESS OTHERWISE SPECIFIED | | | Scale 1/1 |
| Dr | DILIPTHOMAS | 2006/08/20 | ANGULAR | size | A2 |
| Eng | DILIPTHOMAS | 2005/08/20 | LINEAR | ECN | 106-0084 |
| Chr | DILIPTHOMAS | 2006/06/21 | 0° ±° | Spec ref | |
| Appr | K.V.SIVADAS | 2006/06/21 | Product family | | |
| FCI | | READER PANEL MOUNT | | dwg no | VJW55019 |
| SMARTCARD | | SEE TABLE | | Rev. | C |
| catalog no | | SEE TABLE | | sheet 2 of 3 | |

LIST OF PART NUMBERS

7x61Z0001SxxLF

X=3, STANDARD TRAY
X=5, ANTISTATIC TRAY

Lead Free Version (Optional)
Customer Specificity

| PRODUCT NUMBER | A: FLEX LENGTH (mm) | B: TERMINAL PITCH (mm) | NUMBER OF TRACKS | FLEX FORM | CAPACITOR NUMBER | CONTACT NUMBER | C: DISTANCE PANEL/CARD (mm) | PACKING TYPE |
|----------------|---------------------|------------------------|------------------|-----------|------------------|----------------|-----------------------------|--------------|
| 7361Z0001S13 | 96 | 1 | 10 | STRAIGHT | 2 | 8 : ISO | 35 | A |
| 7361Z0001S14 | 101 | 1 | 10 | STRAIGHT | 2 | 16 ISO+AFNOR | 35 | A |
| 7361Z0001S15 | 96 | 1 | 10 | STRAIGHT | 2 | 8 : ISO | 25 | A |
| 7361Z0001S22 | 156 | 1.25 | 10 | STRAIGHT | 1 | 16 ISO+AFNOR | 35 | A |
| 7361Z0001S29 | 58 | 1.25 | 10 | STRAIGHT | NONE | 8 : ISO | 35 | A |
| 7561Z0001S29 | 58 | 1.25 | 10 | STRAIGHT | NONE | 8 : ISO | 35 | A |
| 7361Z0001S31 | 58 | 1.25 | 10 | STRAIGHT | NONE | 8 : ISO | 25 | A |
| 7361Z0001S33 | 58 | 1.25 | 10 | STRAIGHT | 1 | 8 : ISO | 35 | A |
| 7361Z0001S35 | 120 | 1.25 | 10 | STRAIGHT | 1 | 8 : ISO | 35 | A |
| 7361Z0001S36 | 120 | 1.25 | 10 | STRAIGHT | 1 | 8 : ISO | 15 | B |
| 7361Z0001S37 | 58 | 1.25 | 10 | STRAIGHT | NONE | 8 : ISO | 15 | B |
| 7361Z0001S38 | 85 | 1.25 | 10 | STRAIGHT | 1 | 16 ISO+AFNOR | 35 | A |
| 7361Z0001S39 | 58 | 1.25 | 10 | STRAIGHT | NONE | 8 : ISO | 35 | A |
| 7361Z0001S40 | 118 | 1.25 | 7 | STRAIGHT | 1 | 8 : ISO | 35 | C |
| 7361Z0001S41 | 118 | 1.25 | 7 | STRAIGHT | 1 | 8 : ISO | 15 | B |
| 7361Z0001S42 | 60 | 1.25 | 7 | STRAIGHT | NONE | 8 : ISO | 25 | A |
| 7361Z0001S43 | 58 | 1.25 | 10 | STRAIGHT | 1 | 8 : ISO | 25 | A |

PACKING TYPE:
 A : 28 CONNECTORS / TRAY
 420 CONNECTORS / SHIPPING BOX
 B : 25 CONNECTORS / BLOCK
 500 CONNECTORS / SHIPPING BOX
 C : 12 CONNECTORS / TRAY
 120 CONNECTORS / SHIPPING BOX



Copyright FCI.

| | | | | | |
|--------------------|-------------|---|-------------------------------------|-----------------|--------------|
| www.fciconnect.com | | surface <input checked="" type="checkbox"/> | tolerance std Lin ±0.1 Ang ±0.5° | projection ⊕ | MM |
| | | TOLERANCES UNLESS OTHERWISE SPECIFIED | | size A2 | Scale 1/1 |
| Dr | DILIPTHOMAS | 2006/08/20 | ANGULAR | 0.x ± | |
| Eng | DILIPTHOMAS | 2005/08/20 | LINEAR | 0.xx ± | |
| Chr | DILIPTHOMAS | 2006/06/21 | 0° ±° | 0.xxx ± | ECN 106-0084 |
| Appr | K.V.SIVADAS | 2006/06/21 | Product family | Spec ref | |
| | | READER PANEL MOUNT | | dwg no | VJW55019 |
| | | SMARTCARD | | Rev. | C |
| | | catalog no SEE TABLE | | sheet 3 of 3 | |