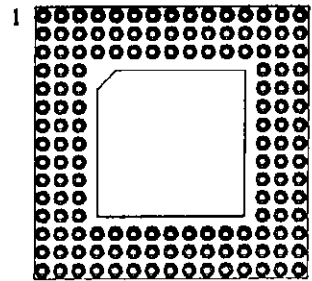


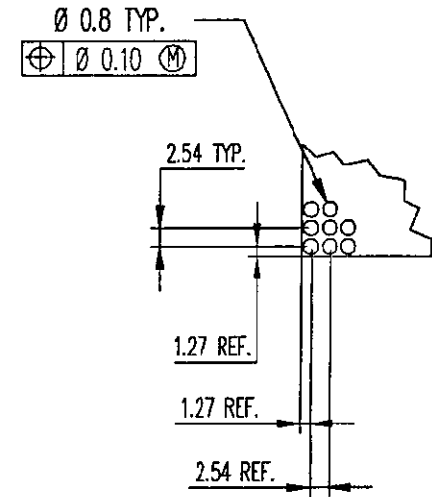
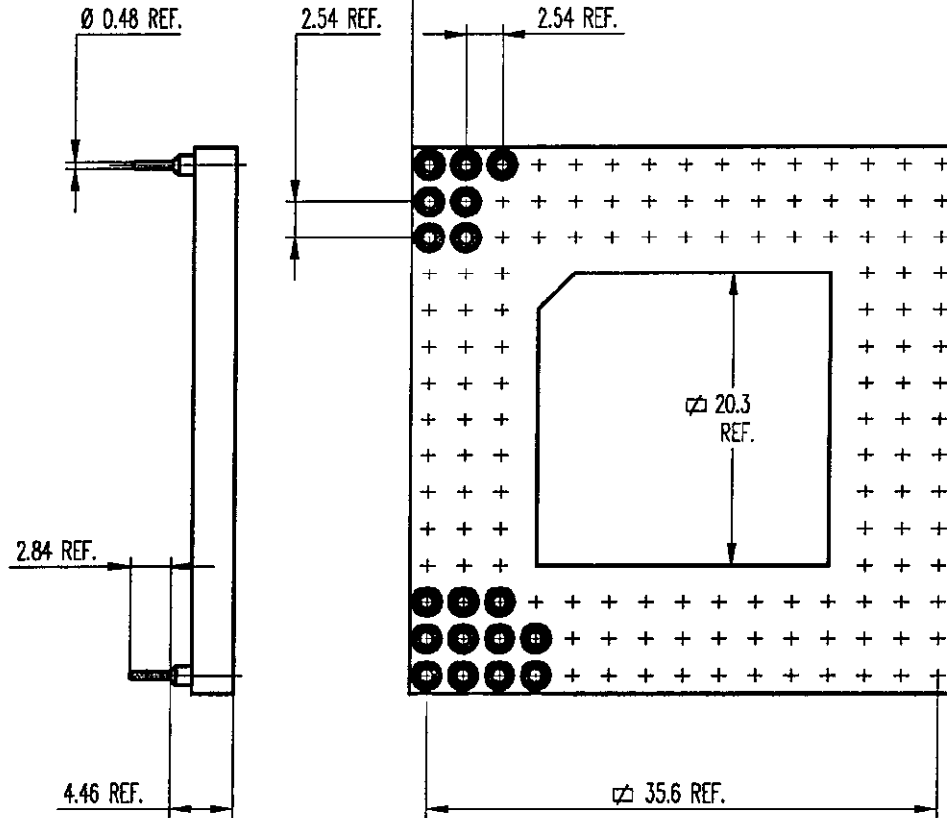
DRAWING NO

C- 210796



144 positions

Ech. 1:1



RECOMMENDED P.C.  
BOARD PATTERN

NOTES :

1. SOLDER TAIL PLATING  
STANDARD 5µm Sn/Pb OVER 2-3µm Ni  
PREFIX "1-" 0.25µm Au OVER 2-3µm Ni
2. INNER CONTACT PLATING  
SUFFIX "-1" 0.25µm 18c. Au  
SUFFIX "-2" 0.50µm 18c. Au  
SUFFIX "-3" 0.75µm 18c. Au  
SUFFIX "-4" 0.75µm 24c. Au  
SUFFIX "-5" 5µm MIN. Sn/Pb  
SUFFIX "-6" 0.1µm FLASH 24c. Au
3. INNER SPRING CONTACT ACCEPT Ø 0.40 TO 0.56 OR RECTANGULAR PIN 0.25x0.45
4. MECHANICAL DATA WITH A Ø 0.46 N3 FINISHED PIN INSERTION FORCE SHALL BE 0.15N MAX. AND WITHDRAWAL FORCE SHALL BE 0.05N MIN.

DIMENSIONS		mm				DRAWN P.-A. MEIER 03 APR 97		THIS INFORMATION IS CONFIDENTIAL AND IS DISCLOSED TO YOU ON CONDITION THAT NO FURTHER DISCLOSURE IS MADE BY YOU TO OTHER THAN AMP PERSONNEL WITHOUT WRITTEN AUTHORIZATION FROM DSM SWITZERLAND.									
						CHECKED A. BOLIS 04 APR 97											
SURFACE TEXTURE		N7 (✓)				APPROVED											
CONCENTRICITY		0.15		A		EW00-0026-97		NAME OPEN FRAME ULIF PGA 15 x 15, 144 SOCKETS									
PRODUCT SPEC.		P REV		ECN		DRWN DATE APVD		CUSTOMER DRAWING FOR REFERENCE ONLY									
<b>AMP</b>		DSM DECOLLETAGE SA SAINT-MAURICE CH 1890 SAINT-MAURICE (VS)				LOC EK		SCALE 2/1		SIZE A4		DRAWING NO C- 210796		SHEET 1 r 1		REVISION A	