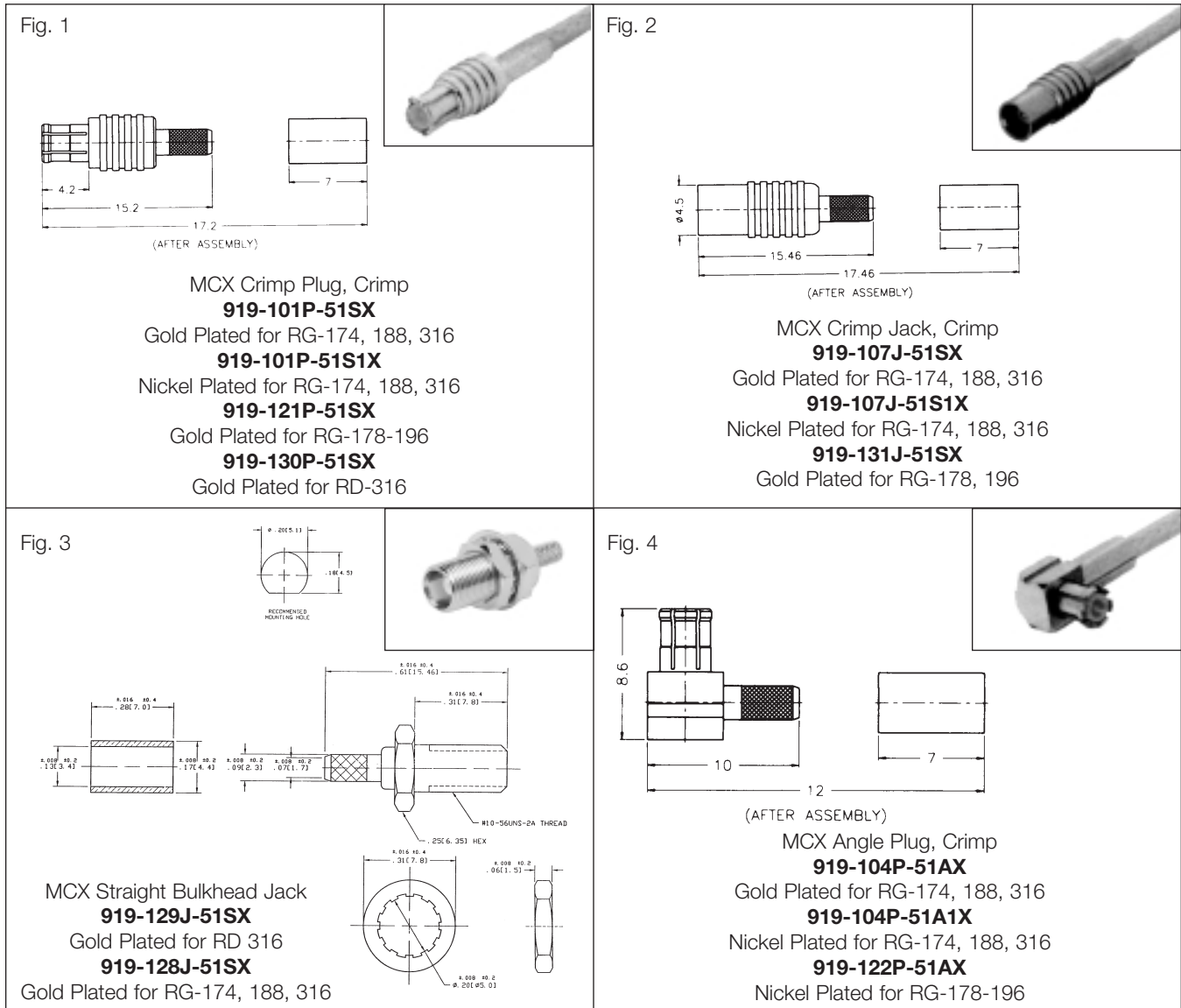


MCX 50 Ohm Crimp Attachments for Flexible Cable



MCX

50 OHM MCX CABLE CONNECTORS

Cable RG-/U	Cable Attachment		CAI	Plt.	Ins.	Construction Notes	Amphenol Number	Fig.
	Outer	Inner						
RG-174, 188, 316	Crimp	Solder	C74	P11	D1	Gold Plated	919-101P-51SX	1
RG-174, 188, 316	Crimp	Solder	C74	P11	D1	Nickel Plated	919-101P-51S1X	1
RG-174, 188, 316	Crimp	Solder	C74	P11	D1	Gold Plated	919-107J-51SX	2
RG-174, 188, 316	Crimp	Solder	C74	P11	D1	Nickel Plated	919-107J-51S1X	2
RD-174, 188, 316	Crimp	Solder	C77	P11	D1	Gold Plated	919-128J-51SX	3
RG-174, 188, 316	Crimp	Solder	C77	P11	D1	Gold Plated	919-104P-51AX	4
RG-174, 188, 316	Crimp	Solder	C77	P11	D1	Nickel Plated	919-104P-51A1X	4
RG-178, 196	Crimp	Solder	C74	P11	D1	Gold Plated	919-121P-51SX	1
RG-178, 196	Crimp	Solder	C74	P11	D1	Gold Plated	919-131J-51SX	2
RG-178, 196	Crimp	Solder	C77	P11	D1	Gold Plated	919-122P-51AX	4
RD-316	Crimp	Solder	C77	P11	D1	Gold Plated	919-129J-51SX	3
RD-316	Crimp	Solder	C74	P11	D1	Gold Plated	919-130P-51SX	1