



*Digi Connect Wi-ME<sup>®</sup> 9210 and  
Digi Connect ME<sup>®</sup> 9210  
Hardware Reference*

© 2012 Digi International Inc.  
All rights reserved.

Digi, Digi International, the Digi logo, a Digi International Company, Digi Connect, Digi Connect Wi-ME and Digi Connect ME 9210, ConnectCore, NET+ and NET+OS are trademarks or registered trademarks of Digi International, Inc. in the United States and other countries worldwide. All other trademarks are the property of their respective owners.

All other trademarks mentioned in this document are the property of their respective owners.  
Information in this document is subject to change without notice and does not represent a commitment on the part of Digi International.

Digi provides this document “as is,” without warranty of any kind, either expressed or implied, including, but not limited to, the implied warranties of fitness or merchantability for a particular purpose. Digi may make improvements and/or changes in this manual or in the product(s) and/or the program(s) described in this manual at any time.

This product could include technical inaccuracies or typographical errors. Changes are periodically made to the information herein; these changes may be incorporated in new editions of the publication.

# About This Document

---

## Scope of the Reference Manual

---

The purpose of this document is to enable developers to integrate the Digi Connect Wi-ME and Digi Connect ME 9210 embedded modules with other devices, enabling these devices to make use of the module's rich networking features.

**Note:** Unless mentioned specifically by name, the products will be referred to as the embedded modules or modules. Individual naming is used to differentiate product specific features.

## Related Documentation

---

See the *NS9210 Hardware Reference* for information on the NS9210 chip.

## Support Information

---

To get help with a question or technical problem or make comments and recommendations about Digi products and documentation, use the following contact information.

### ***General***

Digi International  
11001 Bren Road East  
Minnetonka, MN 55343  
U.S.A.

### ***Customer Service and Support***

United States: 1 877-912-3444  
Other Locations: 1 952-912-3444  
[www.digi.com/support/eservice/  
eservicelogin.jsp](http://www.digi.com/support/eservice/eservicelogin.jsp)

# Contents

About This Document .....	3
Related Documentation .....	3
Support Information .....	3
<b>Chapter 1: Contents .....</b>	<b>4</b>
<b>Chapter 2: About the Embedded Modules .....</b>	<b>6</b>
Overview .....	6
Types of Modules .....	7
Connectors: Power and Device Interface .....	9
Connectors: Ethernet Interface .....	11
Connectors: Antenna .....	12
Module LEDs .....	13
<b>Chapter 3: About the Development Board .....</b>	<b>14</b>
Overview .....	14
Basic Description .....	15
Port Descriptions .....	17
Connectors and Blocks .....	20
Switches and Push Buttons .....	25
Development Board LEDs .....	26
Power Jack P15 .....	28
Test Points .....	29
<b>Chapter 4: Programming Considerations .....</b>	<b>30</b>
Overview .....	30
Module Pinout .....	31
Reset .....	33
Memory .....	34
<b>Appendix A: Module Specifications .....</b>	<b>35</b>
Network Interface .....	35
Serial Interface .....	36
Data Rates (bps) .....	36
DC Characteristics .....	36

Power Management .....	38
Thermal Specifications .....	39
Mechanical .....	40
Bar Code.....	41
Dimensions .....	41
Recommended PCB Layout .....	47
Antenna Information .....	48
RF Exposure Statement .....	50
Safety Statements .....	50
<b>Appendix B: Certifications .....</b>	<b>51</b>
FCC Part 15 Class B.....	51
Industry Canada.....	53
Declaration of Conformity .....	53
International EMC Standards .....	55
<b>Appendix C: Sample Application: PoE Power Supply.....</b>	<b>57</b>
<b>Appendix D: Sample Application: TTL Signals to EIA-232.....</b>	<b>60</b>

# About the Embedded Modules

## CHAPTER 1

### Overview

The Digi Connect Wi-ME 9210 and Digi Connect ME 9210 b/g/n is a fully customizable and secure 802.11b/g/n wireless embedded module that provides integration flexibility in a variety of connection options. Built on the new Digi NS9210 processor in combination with a 802.11b/g/n Wi-Fi radio, it is pin-compatible with the existing Digi Connect Wi-ME 7520 and Digi Connect ME 7520 802.11b module allowing customers to easily migrate to the next-generation version of the product.

The Digi Connect ME 9210 is an ultra-compact embedded module based on Digi's powerful 75 MHz NS9210 processor. It allows customers to implement the next generation of leading network-enabled products and maintains full form factor and pin-compatibility with the existing Digi Connect ME family.

The NS9210 processor provides a host of features such as an ARM926EJ-S core running at speeds from 75-150MHz, on-chip AES encryption engine, one PIC, a serial port, SPI and I2C interfaces, PWM, and others. Most importantly, it is a "drop-in" replacement for the NS7520, which means that is the ideal upgrade vehicle to deliver a next-generation design.

The integrated FIM on the NS9210 processor offer interface flexibility allowing the modules to provide high performance interface functionality and unique software-driven configuration flexibility by dynamically loading software support for application specific interfaces, e.g. UART, CAN, USB device, 1-Wire, SDIO, and others.

The Digi Connect Wi-ME 9210 and Digi Connect ME 9210 embedded module offers freedom and flexibility of professional embedded software development provided by the easy-to-use, cost-effective and complete Digi JumpStart Kits™.

From medical systems to building control and industrial automation, in virtually any application where embedded device connectivity over a wireless network is needed, embedded modules are the ideal choice, delivering high-performance functionality.

**Note:** Unless mentioned specifically by name, the products will be referred to as the embedded modules or modules. Individual naming is used to differentiate product specific features.

This chapter provides information about the modules hardware and contains the following topics:

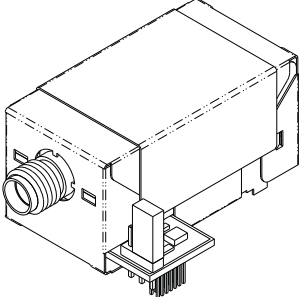
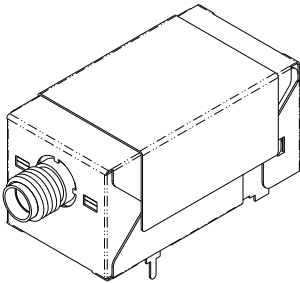
- "Types of Modules" on page 7
- "JTAG Jumper" on page 11
- "Connectors: Antenna" on page 12
- "Module LEDs" on page 13

# Types of Modules

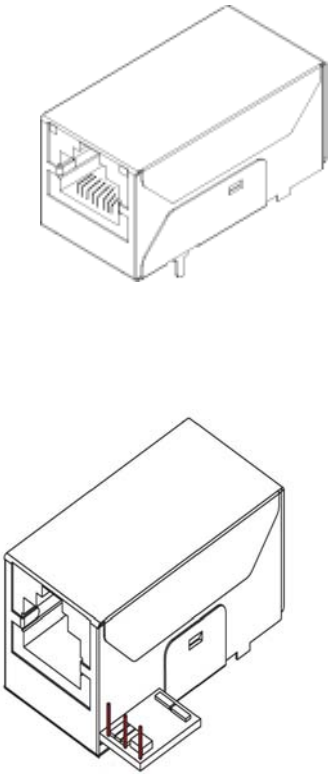
There are two types of modules. One module utilizes Digi Plug-and-Play Firmware, while the second is customizable with the option to develop a firmware application in NET+OS. If you are developing your firmware application in NET+OS, you will be using a module with a JTAG interface.

**Note:** JTAG is a commonly used term that is also referred to as IEEE 1149.1, an industry standard test protocol. JTAG is an abbreviation for the European Joint Test Action Group, which invented the first versions of the IEEE 1149.1 interface. The JTAG interface, along with the other development tools, enables you to download, run and debug programs on the module.

The following figures show the two types of modules.

<b>Digi Connect Wi-ME 9210 Modules</b>		
<b>Model</b>	<b>Description</b>	<b>Figure</b>
<p><b>DC-WME-Y402-JT</b>  <b>DC-WME-Y413-LX-JT</b></p>	<ul style="list-style-type: none"> <li>■ Used for development purposes only</li> <li>■ JTAG interface</li> </ul>	
<p><b>DC-WME-Y402-C</b>  <b>DC-WME-Y413-S</b>  <b>DC-WME-Y413-LX</b></p>	<ul style="list-style-type: none"> <li>■ No JTAG interface</li> <li>■ Ordered independently for use in your implementation.</li> </ul>	

**Note:** -S: No JTAG for use with Digi Plug-and-Play Firmware  
 -C: No JTAG for use with custom NET+OS applications  
 -JT: With JTAG for use with custom firmware development

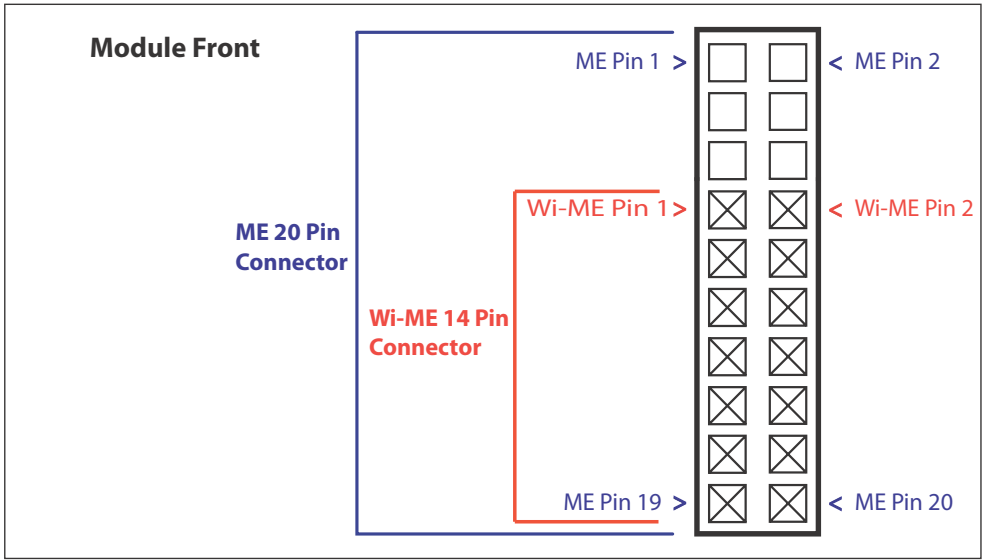
Digi Connect ME 9210 Modules		
Model	Description	Figure
<p><b>JTAG</b>  DC-ME-Y401-JT  DC-ME-Y402-JT  DC-ME-Y402-LX-  JT</p> <p><b>Non-JTAG</b>  DC-ME-Y401-C  DC-ME-Y402-C  DC-ME-Y402-LX  DC-ME-Y402-S  DC-ME-Y413-LX</p>	<ul style="list-style-type: none"> <li>■ JTAG interface</li> <li>■ Ordered independently for use in your implementation</li> </ul>	



# Connectors: Power and Device Interface

## Power and Device Interface Connector

Viewed from bottom of the module:



Bottom View

Power and Device Interface Connector Pin Assignments				
Signal				Description
ME		Wi-ME		
Pin #	Function	Pin #	Function	
1	VETH+		—	ME: Power Pass-Thru+ Wi-ME: Position Removed
2	VETH-		—	ME: Power Pass-Thru- Wi-ME: Position removed
3-6	—		—	Position removed
7	RXD	1	RXD	Receive Data (Input)
8	TXD	2	TXD	Transmit Data (Output)
9	RTS	3	RTS	Request to Send (Output)
10	DTR	4	DTR	Data Terminal Ready (Output)
11	CTS	5	CTS	Clear to Send (Input)
12	DSR	6	DSR	Data Set Ready (Input)

<b>Power and Device Interface Connector Pin Assignments</b>				
<b>Signal</b>				<b>Description</b>
<b>ME</b>		<b>Wi-ME</b>		
<b>Pin #</b>	<b>Function</b>	<b>Pin #</b>	<b>Function</b>	
13	DCD	7	DCD	Data Carrier Detect (Input)
14	/RESET	8	/RESET	Reset
15	+3.3V	9	+3.3V	Power
16	GND	10	GND	Ground
17, 18	—	11, 12	—	Not accessible with Digi Plug-and-Play Firmware. If using a development kit, see "Module Pinout" on page 31 for detailed IO configuration information.
19	—	13	—	Reserved. Do not connect.
20	/INIT	14	/INIT	Software Reset

**Note:** The development board provides connectors for an optional PoE application kit.

**Note:** Any pins not used should be left floating.

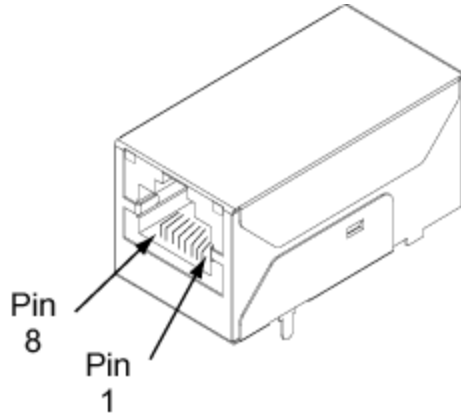
**Note:** See "Module Pinout" on page 31 for detailed IO configuration information.

## Connectors: Ethernet Interface

The Ethernet connector is an 8-wire RJ-45 jack that meets the ISO 8877 requirements for 10/100BASE-T. See the following figure and table for pin orientation and pin assignments.

**Note:** Pin orientation and assignments are the same for modules with or without a JTAG connector.

### Ethernet Interface Pin Orientation

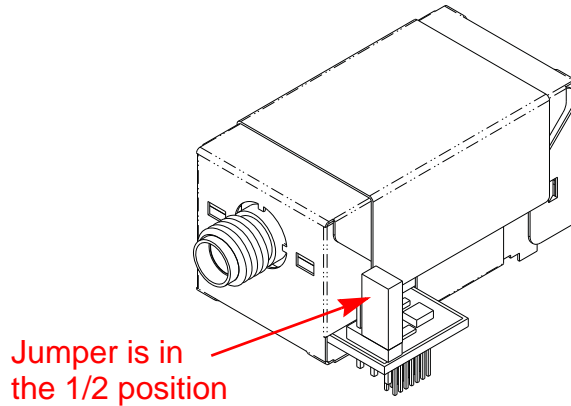


Ethernet Interface Pin Assignments							
Pin 1	Pin 2	Pin 3	Pin 4	Pin 5	Pin 6	Pin 7	Pin 8
TXD+	TXD-	RXD+	EPWR+	EPWR+	RXD-	EPWR-	EPWR-
Transmit Data +	Transmit Data -	Receive Data +	Power from Switch +	Power from Switch +	Receive Data -	Power from Switch -	Power from Switch -

### JTAG Jumper

The J1 controls the way in which the Digi Connect Wi-ME 9210 and Digi Connect ME 9210 JTAG device responds to pin 14 being pulled low.

Jumper	Result
None	No reset
1-2	Hard reset
2-3	Soft reset



## Hard Reset

The embedded modules support a hardware reset on pin 8 of the 14-pin header. Pulling pin 8 low with an open drain driver will force the module into a hard reset state. The module will remain in the reset state as long as pin 8 is held low and will leave this reset state ~250mS after pin 8 goes high. Do not actively drive pin 8 high and do not allow the rise time of the pin 14 to be longer than 100uS. When used with the development board, this pin is wired to reset button SW4, which means it acts as a hard reset button.

## Connectors: Antenna

.....

The Digi Connect Wi-ME 9210 and Digi Connect ME 9210 is available with 1 RP-SMA connector. The antenna is connected to the module with a reverse polarity SMA connector (sub-miniature size A). The antenna only fits on the module one way to ensure a proper connection.



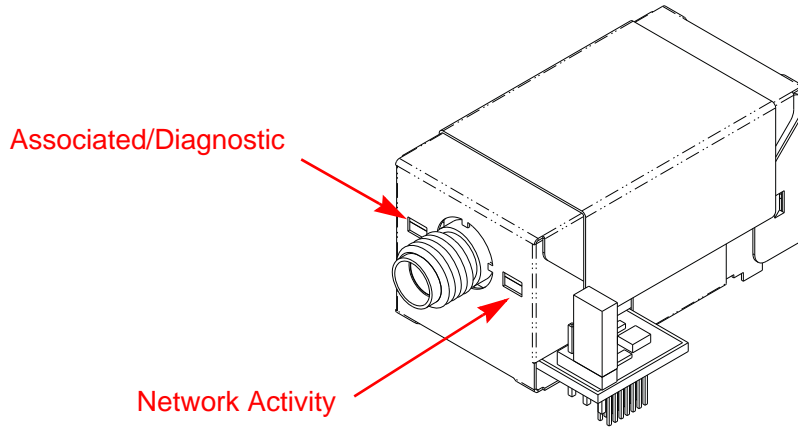
Caution: This Part 15 radio device operates on a non-interference basis with other devices operating at this frequency when using the antennae listed in the Antenna Specification table. Any changes or modification to the product not expressly approved by Digi International could void the user's authority to operate the device.

Antenna Specifications	
Type	Dipole
Part number	DG-ANT-20DP-BG
Gain	2 dBi

# Module LEDs

---

## LED Locations



**Note:** The LEDs are the same for a module with or without a JTAG connector.

LED Behaviors		
LED	Digi Plug and Play Firmware Digi Connect Wi-ME 9210 and Digi Connect ME 9210	Customizable Modules
Left	Associated/Diagnostic: On - unit is associated with an access point. Blinking slowly - unit is in ad hoc mode. Blinking quickly - unit is scanning for a network.	Same as Digi Plug-and Play Firmware (Network link status).
Right	Network Activity: Blinking -network data is transmitted or received.	This LED is software programmable.

# *About the Development Board*

---

## C H A P T E R 2

### Overview

---

The development board is a hardware platform from which you can determine how to integrate the embedded modules into your design. The board consists of the following main features:

- Socket for connecting the embedded modules
- JTAG connection (for use with the development kit only)
- GPIO switches
- Serial and GPIO ports
- Power input

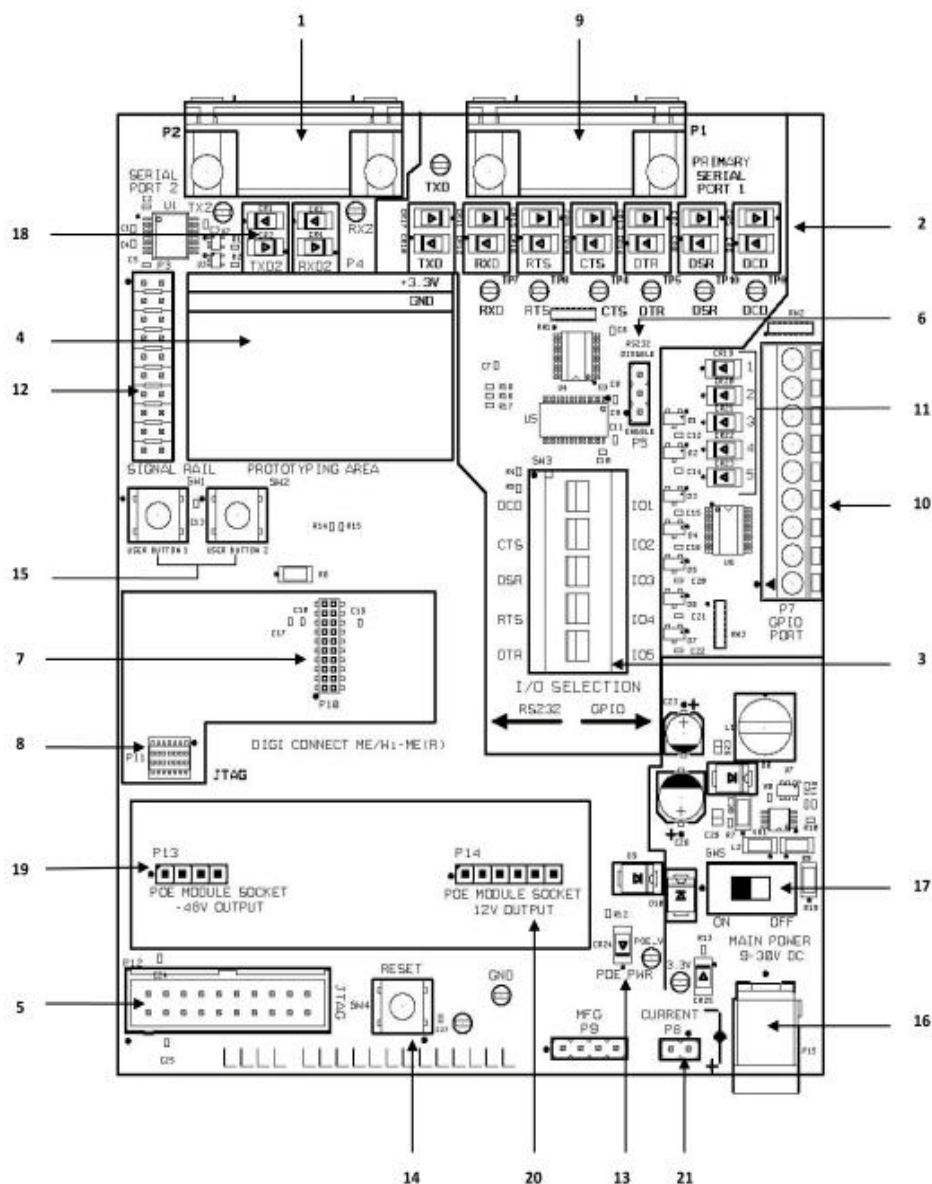
This chapter provides information on development board components and contains the topics listed below. For more detailed information on the development board, see the schematic and mechanical drawings on the CD that accompanies your kit. Once you've installed the software that comes with your kit, you can access the schematic from the Start menu.

- "Basic Description" on page 15
- "Placement of Module" on page 17
- "Connectors and Blocks" on page 20
- "Switches and Push Buttons" on page 25
- "Development Board LEDs" on page 26
- "Power Jack P15" on page 28
- "Test Points" on page 29

## Basic Description

The development board contains connectors, switches, and LEDs for use while integrating the embedded module into your design. See the following figure for the location of the connectors, switches, and LEDs. Additionally, the board provides test points (not shown on the figure). For more information about test points, see "Test Points" on page 29.

### Board Layout and Connector Locations:



<b>Connectors, Switches and LEDs Board Description Markers 1-5</b>				
<b>1</b>	<b>2</b>	<b>3</b>	<b>4</b>	<b>5</b>
Secondary Serial Port, P2	Primary Port LEDs, CR5 - CR18	GPIO Switch Bank, SW3	Prototyping Area, P4	JTAG Header, P12

<b>Connectors, Switches and LEDs Board Description (continued) Markers 6-10</b>				
<b>6</b>	<b>7</b>	<b>8</b>	<b>9</b>	<b>10</b>
232 Enable Jumper Block, P5	Embedded Module Connector, P10	JTAG Connector, P11	Primary Serial Port, P1	GPIO Port, P7

<b>Connectors, Switches and LEDs Board Description (continued) Markers 11-15</b>				
<b>11</b>	<b>12</b>	<b>13</b>	<b>14</b>	<b>15</b>
Digital I/O LEDs, CR19 - CR23	Logic Analyzer header, P3	POE Source LED, CR24	Reset Switch, SW4	User Pushbuttons, SW1 & SW2

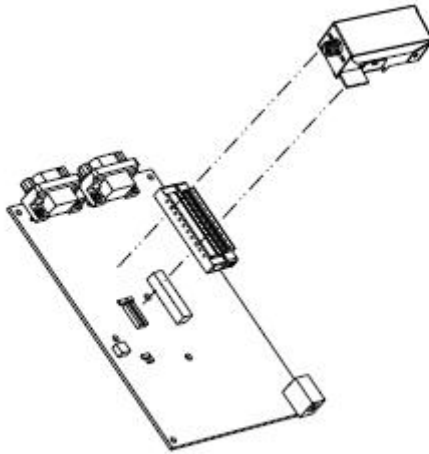
<b>Connectors, Switches and LEDs Board Description (continued) Markers 16-21</b>					
<b>16</b>	<b>17</b>	<b>18</b>	<b>19</b>	<b>20</b>	<b>21</b>
Power Jack, P15	On/Off switch, SW5	Secondary Port LEDs CR1-CR4	-48V DC output from module P13	12V output from PoE module P14	Current Measurement Option P8

- "Port Descriptions" on page 17
- "Connectors and Blocks" on page 20
- "Switches and Push Buttons" on page 25
- "Development Board LEDs" on page 26
- "Power Jack P15" on page 28

See the following figures for placement of either module onto the development board.



## Placement of Module



Caution: When handling the development board, wear a grounding wrist strap to avoid ESD damage to the board.

## Port Descriptions

---

The development board provides the following ports:

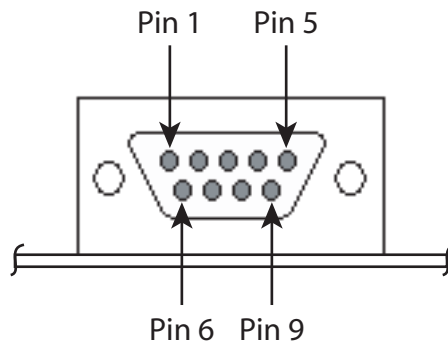
- Primary Serial Port, P1
- Secondary Serial Port, P2
- GPIO Port, P7

See the figure titled "Board Layout and Connector Locations:" on page 15 for the location of the ports. The following sections describe the ports.

### Primary Serial Port, P1

The Primary Serial Port is a DB-9 male connector that is labeled as P1 on the development board. See the following figure for pin orientation; see the following table for pin assignments.

## Primary Serial Port Pin Orientation

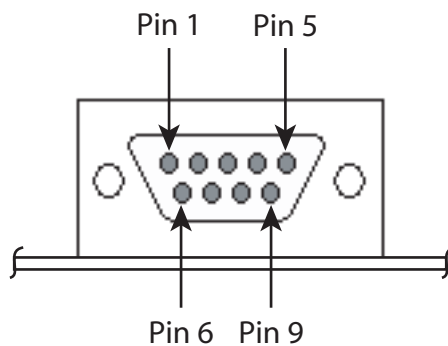


Primary Serial Port Pin Assignments								
Pin 1	Pin 2	Pin 3	Pin 4	Pin 5	Pin 6	Pin 7	Pin 8	Pin 9
DCD	RXD	TXD	DTR	GND	DSR	RTS	CTS	—
Data Carrier Detect	Receive Data	Transmit Data	Data Terminal Ready	Signal/Chassis Ground	Data Set Ready	Request To Send	Clear To Send	—

## Secondary Serial Port, P2

The Secondary Serial Port is a DB-9 male connector that is labeled as P2 on the development board. The port is used only with the Digi Connect ME 9210 modules with JTAG interfaces for debugging purposes. See the following figure for pin orientation; see the following table for pin assignments.

## Secondary Serial Port Pin Orientation



Secondary Serial Port Pin Assignments								
Pin 1	Pin 2	Pin 3	Pin 4	Pin 5	Pin 6	Pin 7	Pin 8	Pin 9
—	RXD	TXD	—	GND	—	—	—	—
—	Receive Data	Transmit Data	—	Signal/ Chassis Ground	—	—	—	—

### RS232-Enable Pin Header, P5

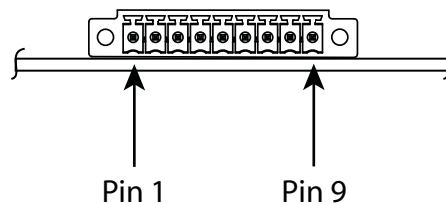
P5 is used to enable or disable serial port RS232s transceiver. Shorting P5 pins 1 and 2 will enable the RS232 transceiver. Shorting P5 pins 2 and 3 will disable the RS232 transceiver.

### GPIO Port, P7

The GPIO port is a 9-pin male right-angle connector that is labeled as P7 on the development board. See the following figure for pin orientation; see the following tables for pin assignments. For input and output threshold specifications, see "DC Characteristics" on page 36. Note that each signal has a 220 ohm series resistor between the P7 pin and the module (except GND).

**Note:** The development board is shipped with a 9-pin screw-flange plug attached to the GPIO port.

### GPIO Port Pin Orientation



GPIO Port Pin Assignments									
	Pin 1	Pin 2	Pin 3	Pin 4	Pin 5	Pin 6	Pin 7	Pin 8	Pin 9
Signal	GPIO-1	GND	GPIO-2	GND	GPIO-3	TXD_TTL	GPIO-4	RXD_TTL	GPIO-5

## Connectors and Blocks

---

The development board provides the following connectors and blocks:

- Embedded Module Connector, P10
- The Digi Connect Wi-ME module does not provide pins 1-6
- JTAG Debugger Connector, P12.
- -48V DC input to PoE module (Digi Connect ME 9210 must be connected to a Powering Device for this feature.), P13
- 12V DC output from PoE module into Dev Board Power Supply, P14
- Logic Analyzer Header, P3

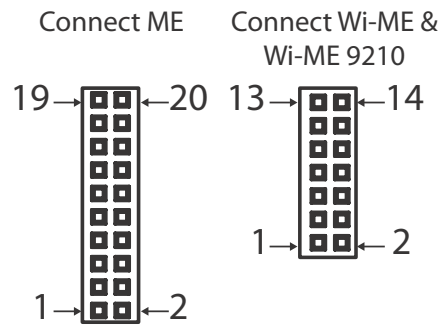
See the figure titled "Board Layout and Connector Locations:" on page 15 for the location of the connectors and blocks. The following sections describe the connectors and blocks.

### Embedded Module Connector, P10

The Digi Connect ME embedded module Connector is a 20-pin female vertical header that is labeled P10 on the development board. See the following figure for pin orientation; see the following table for pin assignments.

**Note:** The figure shows the connector using the same orientation as shown in the figure titled "Board Layout and Connector Locations:" on page 15.

## Embedded Module Connector Pin Orientation



Module Connector Pin Assignments				
Signal				Description
ME		Wi-ME		
Pin #	Function	Pin #	Function	
1	VETH+	—	—	ME: Power Pass-Thru + Wi-ME: Position removed
2	VETH-	—	—	ME: Power Pass-Thru - Wi-ME: Position removed
3-6	Position Removed	—	—	
7	RXD	1	RXD	Receive Data (Input)
8	TXD	2	TXD	Transmit Data (Output)
9	RTS	3	RTS	Request to Send (Output)
10	DTR	4	DTR	Data Terminal Ready (Output)
11	CTS	5	CTS	Clear to Send (Input)
12	DSR	6	DSR	Data Set Ready (Input)
13	DCD	7	DCD	Data Carrier Detect (Input)
14	/RESET	8	/RESET	Reset
15	+3.3V	9	+3.3V	Power
16	GND	10	GND	Ground
17, 18	—	11, 12	—	Not accessible with Digi Plug-and-Play Firmware. If using a development kit, see "Module Pinout" on page 31 for detailed IO configuration information.
19	—	13	—	Reserved
20	/INIT	14	/INIT	Digi Plug-and-Play Firmware Software Reset

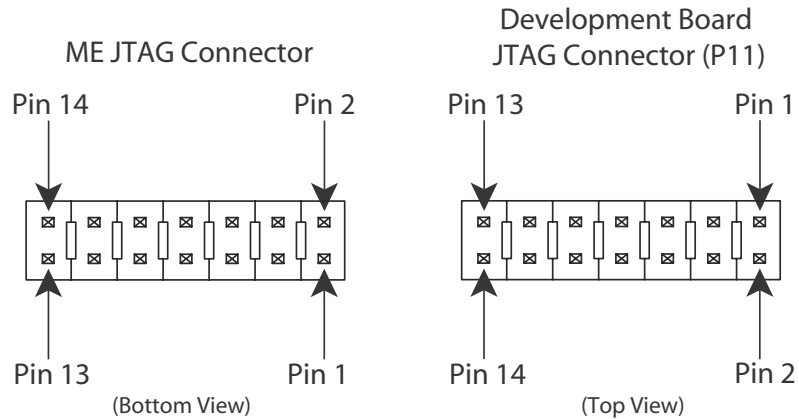
**Note:** The Digi Connect Wi-ME module does not provide pins 1-6

**Note:** See "Module Pinout" on page 31 for detailed IO configuration information.

## Module JTAG Interface Connector, P11

The Module's JTAG Interface Connector is a 14-pin female vertical header that is labeled P11 on the development board. The connector mates with the JTAG connector on the embedded module. The Module's JTAG Connector pins are tied to the debugger connector (see "JTAG Debugger Connector, P12").

Since the modules' JTAG connectors are mounted on the bottom side of the modules, the pin 1 location is mirrored from that of the Development board's mating JTAG connector (P11). The resulting pin mapping is indicated in the Module JTAG Interface Connector Pin Assignments table below.



Bottom side of module (left) and development board from top (right)

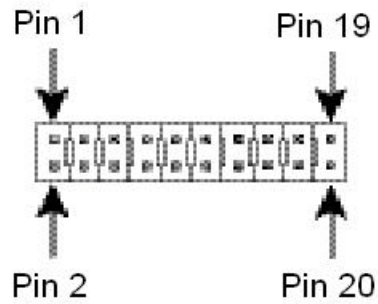
Module JTAG Interface Connector Pin Assignments		
JTAG Signal	ME JTAG pin #	JTAG Connector (P11) pin #
+3.3V	1	2
GND	2	1
TRST#	3	4
GND	4	3
TDI	5	6
GND	6	5
TMS	7	8
GND	8	7
TCK	9	10
RXD	10	9
TDO	11	12
SRST	12	11
+3.3V	13	14
TXD	14	13

## JTAG Debugger Connector, P12

The JTAG debugger connector is a 20-pin male vertical header that is labeled P12 on the development board. The connector mates with a JTAG debugger plug (for example, a Digi JTAG Link). The connector is used with the development kit only. See the following figure for pin orientation. See the following table for pin assignments.

**Note:** The figure shows the connector using the same orientation as shown in the figure titled "Board Layout and Connector Locations:" on page 15.

### JTAG Debugger Connector Pin Orientation



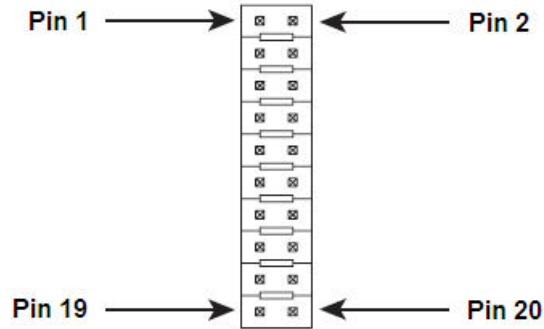
JTAG Debugger Connector Pin Assignments									
Pin 1	Pin 2	Pin 3	Pin 4	Pin 5	Pin 6	Pin 7	Pin 8	Pin 9	Pin 10
VCC+	VCC+	/TRST	GND	TDI	GND	TMS	GND	TCK	GND
Pin 11	Pin 12	Pin 13	Pin 14	Pin 15	Pin 16	Pin 17	Pin 18	Pin 19	Pin 20
RTCK	GNO	TDO	GND	/SRST	GNO	N/A	GND	N/A	GND

## Logic Analyzer Header, P3

The Logic Analyzer Header is a 20-pin male vertical header that is labeled P3 on the development board. The header is for connecting a digital signal analyzer (for example, a logic analyzer) to the development board. See the following figure for pin orientation; see the following table for pin assignments.

**Note:** The figure shows the connector using the same orientation as shown in the figure titled "Board Layout and Connector Locations:" on page 15.

### Logic Analyzer Header Pin Orientation



Logic Analyzer Header Pin Assignments									
Pin 1	Pin 2	Pin 3	Pin 4	Pin 5	Pin 6	Pin 7	Pin 8	Pin 9	Pin 10
V_Ether+	V_Ether-	Not Connected	Not Connected	Not Connected	Not Connected	RXD	TXD	GPIO-4	GPIO-5
Pin 11	Pin 12	Pin 13	Pin 14	Pin 15	Pin 16	Pin 17	Pin 18	Pin 19	Pin 20
GPIO-2	GPIO-3	GPIO-1	/RST	3.3v	GND	See "Power and Device Interface Connector Pin Assignments" on page 9 for details.		Reserved	/INIT



## Switches and Push Buttons

---

The development board provides the following switches:



- User PB1
- User PB2
- GPIO Switch Bank 1, SW3
- Reset, SW4
- Power On/Off SW5

See the figure titled "Board Layout and Connector Locations:" on page 15 for the location of the switches. The following sections describe the switches.

### GPIO Switch Bank 1, SW3

GPIO Switch Bank 1, labeled SW3, is a set of five slide switches that allows the embedded module to use either serial signals or GPIO signals to communicate with a device. With the switch to the left position, the module's signal is connected to the Serial Port1 RS232 transceiver. In the right position, the module signal is connected to the appropriate pin of the GPIO Port P7.

### GPIO Switch Bank 1 Settings

Switch Number	Left Position 	Right Position 
1	DCD	GPIO-1
2	CTS	GPIO-2
3	DSR	GPIO-3
4	RTS	GPIO-4
5	DTR	GPIO-5

### User Push Button 1, SW1

When switch number 1 is set to GPIO-1, pushing User Push Button 1, SW1, will drive GPIO-1 (WiME pin 7, ME pin 12) low.

## User Push Button 2, SW2

Pushing User Push Button 2, SW2, will drive Wi-ME module pin 12 (ME module pin 18) low.

## Reset, SW4

The Reset switch is a push button switch labeled SW4 on the development board. Pressing the switch holds the embedded module in reset. When the push button is released, the module reboots.

## Power On/Off Switch, SW5

The left position means that power is on. The right position means that power is off.

## Development Board LEDs

---

The development board contains 25 LEDs that are labeled CR1 through CR25. The following table lists and describes the LEDs.

<b>Development Board LED Descriptions</b>			
<b>Board Label</b>	<b>Description</b>	<b>State</b>	<b>Indication</b>
CR1	TXD, Secondary Serial Port Yellow	On	Logic 1 on TTL, mark, -V on line side
CR2	TXD, Secondary Serial Port Yellow	On	Logic 1 on TTL, mark, -V on line side
CR3	RXD, Secondary Serial Port Yellow	On	Logic 1 on TTL, mark, -V on line side
CR4	RXD, Secondary Serial Port Green	On	Logic 0 on TTL, space, +V on line side
CR5	DCD, Primary Serial Port Yellow	On	Logic 1 on TTL, mark, -V on line side
CR6	DCD, Primary Serial Port Green	On	Logic 0 on TTL, space, +V on line side
CR7	DSR, Primary Serial Port Yellow	On	Logic 1 on TTL, mark, -V on line side
CR8	DSR, Primary Serial Port Green	On	Logic 0 on TTL, space, +V on line side
CR9	CTS, Primary Serial Port Yellow	On	Logic 1 on TTL, mark, -V on line side
CR10	CTS, Primary Serial Port Green	On	Logic 0 on TTL, space, +V on line side
CR11	RXD, Primary Serial Port	On	Logic 1 on TTL, mark, -V on line side

<b>Development Board LED Descriptions</b>			
<b>Board Label</b>	<b>Description</b>	<b>State</b>	<b>Indication</b>
CR12	RXD, Primary Serial Port	On	Logic 1 on TTL, mark, -V on line side
CR13	DTR, Primary Serial Port Yellow	On	Logic 1 on TTL, mark, -V on line side
CR14	DTR, Primary Serial Port Green	On	Logic 0 on TTL, space, +V on line side
CR15	RTS, Primary Serial Port Yellow	On	Logic 1 on TTL, mark, -V on line side
CR16	RTS, Primary Serial Port Green	On	Logic 0 on TTL, space, +V on line side
CR17	TXD, Primary Serial Port Yellow	On	Logic 1 on TTL, mark, -V on line side
CR18	TXD Primary Serial Port Green	On	Logic 0 on TTL, space, +V on line side
CR19	GPIO 1 Green	On	Logic 1
		Off	Logic 0
CR20	GPIO 2 Green	On	Logic 1
		Off	Logic 0
CR21	GPIO 3 Green	On	Logic 1
		Off	Logic 0
CR22	GPIO 4 Green	On	Logic 1
		Off	Logic 0
CR23	GPIO 5 Green	On	Logic 1
		Off	Logic 0
CR24	POE Active LED Green	On	+12v present from POE
		Off	No POE present
CR25	3.3v LED Green	On	Power On
		Off	Power Off

## Power Jack P15

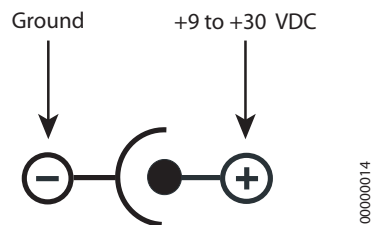
---

The Power Jack P15 is a barrel connector that accepts 9 to 30 VDC. The following table shows the polarity of the power jack.

Power Jack Polarity	
Contact	Polarity
Center	+9 to +30 VDC
Outer	Ground

The following figure schematically represents the polarity of the power jack.

### Power Jack Polarity, Schematic



## Test Points

---

The development board provides 13 test points that can be identified by a board label. The test point numbers are in the development board schematic drawings. The following table lists the test point number, board label, and a brief description of each test point.

<b>Test Point Descriptions</b>		
<b>Test Point</b>	<b>Board Label</b>	<b>Description</b>
TP2	TXD	TXD-2, Transmit, Secondary Serial Port
TP3	RXD	RXD-2, Receive, Secondary Serial Port
TP4	CTS	CTS, Primary Serial Port
TP5	DTR	DTR, Primary Serial Port
TP6	TXD	TXD, Primary Serial Port
TP7	RXD	RXD, Primary Serial Port
TP8	RTS	RTS, Primary Serial Port
TP9	DCD	DCD, Primary Serial Port
TP10	DSR	DSR, Primary Serial Port
TP12	Reset	Reset
TP13	POE 12v	POE 12v
TP14	3.3v	3.3v Supply
TP15	GND	Ground

# *Programming Considerations*

---

## C H A P T E R 3

### **Overview**

---

This chapter provides information programmers may require to make use of some embedded module hardware resources. It provides programming information on the following topics for the Digi Connect ME 9210 and the Digi Connect Wi-ME 9210:

- "Module Pinout" on page 31
- "Reset" on page 33
- "Memory" on page 34
- "SDRAM" on page 34

# Module Pinout

---

## General Information

The NS7520/NS9210 processors support 16 General Purpose I/O (GPIO) lines, some of which are reserved for specific functions and some of which can be customized. For Digi Plug and Play Firmware users, see the *Digi Connect Family Users Guide* for details on what Pin configurations are available to you.

## Module Pinout

The following table provides signal header pinout information for the Digi Connect ME 9210, Digi Connect Wi-ME 9210, and Digi Connect ME 9210 modules. Please refer to the color key below.

Key
Applies to Digi Connect ME 9210 / Digi Connect Wi-ME 9210 modules.
Applies to Digi Connect ME 9210/ Digi Connect Wi-ME 9210 modules.
Applies to Digi Connect ME9210/Wi-ME9210 and Digi Connect ME 9210/ Digi Connect Wi-ME 9210 modules.

Pin [Wi-ME/ Wi-ME 9210]	Pin [ME/ME 9210]	UART [All]	GPIO [ME/ Wi-ME]	GPIO [ME 9210]	Ext IRQ [ME/ Wi-ME]	Ext IRQ [ME 9210/ Wi-ME 9210]	I2C [ME 9210/ Wi-ME 9210]	SPI [ME 9210/ Wi-ME 9210]	FIM [ME 9210/Wi- ME 9210]	CAN BUS [ME 9210/Wi- ME 9210]	Timer [ME 9210/ Wi-ME 9210]	Other [All]
	1											VETH+
	2											VETH-
	3-6	Positions Removed										
1	7	RXD	A3	GPIO[3]				DATA IN	PIC_0_GEN _IO[3]			
2	8	TXD	A7	GPIO[7]				DATA OUT			Timer Out 7 Timer In 8	
3	9	RTS	A5	GPIO[5]		3		CLK			Timer Out 6	
4	10	DTR	A6	GPIO[6]						PIC_CAN _TXD	Timer In 7	
5	11	CTS	A1	GPIO[1]		0			PIC_0_GEN _IO[1]			
6	12	DSR	A2	GPIO[2]		1			PIC_0_GEN _IO[2]	PIC_CAN _RXD		
7	13	DCD	A0	GPIO[0]				EN	PIC_0_GEN _IO[0]			
8	14											/RST
9	15											3.3V
10	16											GND
11	17		C4	GPIO[12]			SDA	CLK				RESET_ DONE
12	18		C1	GPIO[9]	1	0	SCL					
13	19	Reserved										
14	20		C5	GPIO [13]				CLK			Timer Out 9	/INIT

**Note:** The CAN Bus interface is available on the 8/16 Digi Connect ME 9210, Digi Connect Wi-ME 9210 variants.

**Note:** When using the 8/16 ME 9210/ Wi-ME 9210 CAN Bus, the DTR (9210 signal GPIO 6) line must be tri-stated. When the DTR signal (9210 GPO/I 6) is used, 9210 GPO/I 15 must be tri-stated. These two 9210 signals are wired together on the 9210 modules.

**Note:** The Digi Connect Wi-ME 9210 module does not provide pins 1-6.

**Note:** When using I2C, make sure to put a 10k pull up on the SDA and SCL lines.



## Reset

---

### Hard Reset

The Digi Connect Wi-ME 9210 module supports a hardware reset via pin 8 of the 14-pin header. The unit is forced into a hard reset when pulling the pin to ground, or less than 0.8v, for one microsecond. When plugged into a development board, this pin is wired to the push button at SW4. As a result, this switch acts as a hard reset button.

Reset Characteristics	
Characteristic	Specification
Delay	250 milliseconds (typical)
Low ActiveThreshold	0.8 V
High Inactive Threshold	2.4V
Minimum Hold Time	1 microsecond pulse
Rise Time	100 microseconds max

## Memory

---

### Flash

Depending on the variant, the Digi Connect Wi-ME 9210 and Digi Connect ME 9210 have 8 or 16MB of flash memory.

The Digi Connect Wi-ME 9210/ARM9 family, the flash memory is controlled by chip select 2 (default=st\_cs1) and is located at 0x50000000.

### SDRAM

The Digi Connect ME 9210 and Digi Connect Wi-ME 9210's SDRAM is controlled by chip select 1. Depending on the variant, the module will have either 8 or 16MB of SDRAM memory.

The following table illustrates typical power consumptions using these power management mechanisms. These measurements were taken with all Digi NS9210 processor's I/O clocks disabled except UART A, UART C, I/O Hub and Memory Clock0 using a standard module plugged into a Digi JumpStart Kit development board, with nominal voltage applied:

Mode	Power Consumption <sup>1</sup>
Normal Tx Operational Mode	1.7W (520mA peak)
Normal Receive Operational Mode <sup>2</sup>	1.14W (346mA)
Full Clock Scaling Mode <sup>3</sup>	.613W (186mA)
Sleep Mode <sup>4</sup>	.469/w (146mA)

**Note 1:** The current measurement was taken from the R6 current sense resistor using a 0.025 ohm shunt on the JumpStart Kit development board. The supply voltage was 3.3V.

**Note 2:** This is the default power consumption mode when entering applicationStart(), as measured with the napsave sample application. The value of the NS9210 Clock Configuration register (A090017C) is 0001200B hexadecimal.

**Note 3:** This measurement was produced by selecting the "Clock Scale" menu option in the napsave sample application.

**Note 4:** This measurement was produced by selecting the "Deep Sleep/Wakeup with an External IRA" menu option in the napsave sample application.

# Module Specifications

## A P P E N D I X A

### Network Interface

#### Digi Connect ME 9210

- Standard: IEEE 802.3
- Physical Layer: 10/100Base-T
- Data Rate: 10/100Mbps (auto-sensing)
- Mode: Half-duplex and full-duplex support (auto-sensing)
- Connector: RJ-45

#### Digi Connect Wi-ME 9210

- Standard: IEEE 802.11b/g/n
- Frequency: 2.4 GHz
- Data Rate: Up to 65 Mbps with automatic fallback
- Modulation: CCK (11/5 Mbps), DQPSK (2 Mbps), DBPSK (1 Mbps), OFDM ((6, 9, 12, 18, 24, 36, 48, 54, and 65 Mbps)
- Transmit Power: 11 Mbps 17dbm
- 54/65Mbps 12dbm
- Receive sensitivity:

1Mbps: -100	26Mbps: -71dbm
2Mbps: -97	36Mbps: -76 dbm
5.5Mbps: -96	39Mbps: -67dbm
6Mbps: -84 dbm	48Mbps: -72 dbm
6.5Mbps: -79dbm	52Mbps: -63dbm
9Mbps: -84 dbm	54Mbps: -69 dbm
11Mbps: -92	58.5Mbps: -62dbm
12Mbps: -83 dbm	65Mbps: -61dbm
13Mbps: -76dbm	
18Mbps: -81 dbm	
19.5Mbps: - 74dbm	
24Mbps: -79 dbm	
- Antenna Connector: 1 x RP-SMA



**Caution:** The Digi Connect Wi-ME 9210 embedded modules were designed for use in no clean flux wave soldering process. The product is not designed to support draining after a water-wash process, which can lead to water residue inside the enclosure resulting from direct entry or condensation after the wash process.

## Serial Interface

One TTL serial interface (CMOS 3.3v) with full modem control signals (DTR, DSR, DCD, RTS, CTS). The Digi Connect Wi-ME 9210 also supports SPI and FIM-based application specific interfaces.

## Data Rates (bps)

50, 75, 110, 134, 150, 200, 300, 600, 1200, 1800, 2400, 4800, 9600, 14400, 19200, 28800, 38400, 57600, 115200, 230400, 460800

## DC Characteristics

The following tables provide DC characteristics for operating conditions, inputs, and outputs.

Operating Conditions						
Symbol	Description	Min	Typ	Max	Unit	
V <sub>CC</sub>	Supply Voltage	3.14	3.3	3.45	V	
n/a	Power Supply Ripple			40	mVpp	
I <sub>CC</sub>	Supply Current	—	—	Rx mode	360	mA
				Tx mode	520 (peak)	
I <sub>IL</sub>	16K pull up resistor	-10	—	200	μA	
I <sub>IH</sub>	16K pull up resistor	-10	—	10	μA	
I <sub>OZ</sub>	HighZ Leakage Current	-10	—	10	μA	
I <sub>OD</sub>	Output Drive Strength	—	—	2	mA	
C <sub>IO</sub>	Pin Capacitance (V <sub>O</sub> =0)	—	—	4	pF	

**Warning:** The rise time of the 3.3v power supply must be between 700 μS and 140ms, and the inrush current must be limited to less than 2 A. A rise time outside of these limits may cause the device to malfunction and give a 3-1-3 diagnostic error.

<b>Inputs</b>					
<b>Symbol</b>	<b>Description</b>	<b>Min</b>	<b>Typ</b>	<b>Max</b>	<b>Unit</b>
V <sub>IH</sub>	Input High Voltage	2	—	V <sub>CC</sub> +0.3 <sup>a</sup>	V
V <sub>IL</sub>	Input Low Voltage	V <sub>SS</sub> -0.3	—	.8	V

a.) All I/O are 5v tolerant.

<b>Outputs</b>					
<b>Symbol</b>	<b>Description</b>	<b>Min</b>	<b>Typ</b>	<b>Max</b>	<b>Unit</b>
V <sub>OH</sub>	Output High Voltage	V <sub>dd</sub> -.6V	—	V <sub>dd</sub> <sup>a</sup>	V
V <sub>OL</sub>	Output Low Voltage	0	—	0.4	V
I <sub>OH</sub>	Output High Current	2	—	—	mA
I <sub>OL</sub>	Output Low Current	2	—	—	mA

a.) All I/O are 5v tolerant.

	<b>Digi Connect ME 9210</b>	<b>Digi Connect Wi-ME 9210</b>
Storage Temperature	-40°F to 257°F (-40°C to 125°C)	
Relative Humidity	Not to exceed 95% non-condensing (4° C to 45°C), constant absolute humidity above 45°C	
Altitude	12000 feet (3657.60 meters)	

### **Grounding Recommendation**

It is recommended that you connect the tabs on the chassis of the Digi Connect ME 9210/ Digi Connect Wi-ME 9210, and the ground pins directly to the logic ground plane. It is also recommended that you connect the Digi Connect ME 9210/ Digi Connect Wi-ME 9210 to the metal chassis of your enclosure. The idea is to provide the shortest path or a path away from circuitry for ESD to travel to ground.

## Power Management

---

Using the Digi NET+OS development environment, applications on the Digi Connect Wi-ME 9210 and Digi Connect ME 9210 are capable of operating the module in several reduced power consumption modes. These reduced power operating modes utilize the power management mechanisms for the NS9210 processor for CPU clock scaling and sleep.

In the Clock Scaling mode, the system itself continues to execute instructions, but at a different clock rate, which can be changed on-the-fly, using Digi's patented circuitry inside the NS9210 processor. The clock speed is changed programmatically to lower or raise the system clock speed, thus reducing or increasing the module's power footprint, respectively.

Additionally, a Sleep mode is available in which the system stops executing instructions. Based on the application needs, wake-up triggers can be set up programmatically to activate the processor back to wherever it left off. In this mode, a drastic power reduction is realized by reducing the power consumption of the NS9210 processor and the on-module PHY.

For sample power consumption figures for normal (typical) and power management related operation of the Digi Connect Wi-ME 9210, see below:

- 3.3VDC @ 346 mA typical (1.14W)
- UART and Rx activated

### **Sleep Mode (approximate)**

- 3.3VDC @ 142mA

For sample power consumption figures for normal (typical) and power management related operation of the Digi Connect ME 9210, see below:

- 3.3VDC @ 346 mA typical (1.14W)
- UART and Ethernet activated

### **Low Speed Idle Mode (approximate)**

- 3.3VDC @ 186 mA (613 mW)
- /16 clock scaling, Ethernet activated

### **Sleep Mode (approximate)**

- 3.3VDC @ 34 mA (113 mW)
- Wake-up on EIRQ, Ethernet PHY off

## Thermal Specifications

The table below shows the standard operating temperature ranges for the entire Digi Connect ME family of embedded modules.

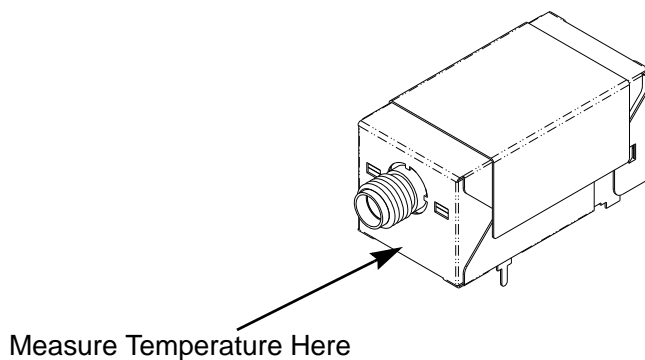
Standard Operating Temperature Ranges	
Product	Operating Temperature Range
Digi Connect Wi-ME 9210 and Digi Connect ME 9210	-40C to 75C no external thermal pad -40C to 85C with external thermal pad

The lower standard operating temperature ranges are specified without restrictions, except condensation must not occur.

The upper operating temperature limit depends on the host PCB layout and surrounding environmental conditions. To simplify the customer's design process, a maximum case temperature has been specified.

Maximum Case Temperature	
Product	Maximum Case Temperature
Digi Connect Wi-ME and Digi Connect ME 9210	84C no external thermal pad 95C with external thermal pad

The maximum case temperature must remain below the maximum, measured at the location shown in the figure below.



## Additional Design Recommendations

The following list provides additional design guidance with respect to thermal management in applications with operating temperatures at the high end or beyond the specified standard ambient temperature range.

- Providing air movement will improve heat dissipation.
- The host PCB plays a large part in dissipating the heat generated by the module. A large copper plane located under the Digi Connect Wi-ME 9210 and soldered to the module's mounting tabs will improve the heat dissipation capabilities of the PCB.
- If the design allows, added buried PCB planes will also improve heat dissipation. The copper planes create a larger surface to spread the heat into the surrounding environment.
- Adding a thermal pad or thermal compound, such as Sil-Pad<sup>®</sup>, Gap Pad<sup>®</sup> or Gap Filler products made by the Bergquist Company ([www.bergquistcompany.com](http://www.bergquistcompany.com)), between the host PCB and the underside of the module will significantly increase the thermal transfer between the module's enclosure and the host PCB. Limit the fill area to the folded metal portion of the module's underside.

## Mechanical

---

Dimensions	Digi Connect Wi-ME 9210 and Digi Connect ME 9210
Length	1.445 in. (36.703 mm)
Width	0.75 in. (19.05 mm)
Height	0.854 in. (21.69 mm)
Weight	.616oz. 17.463g
Device/serial interface connector	14-pin micro header (7-pin double row) with .05-inch (1.27-mm) pitch.



## Bar Code

The 50m PN is code 3 of 9 (39) and the MAC is code 128. All scanners are set up so if they read code 3 of 9 they will automatically read 128. The reason for the two different code types is to maximize the size of the bars within a given space to improved readability.

## Dimensions

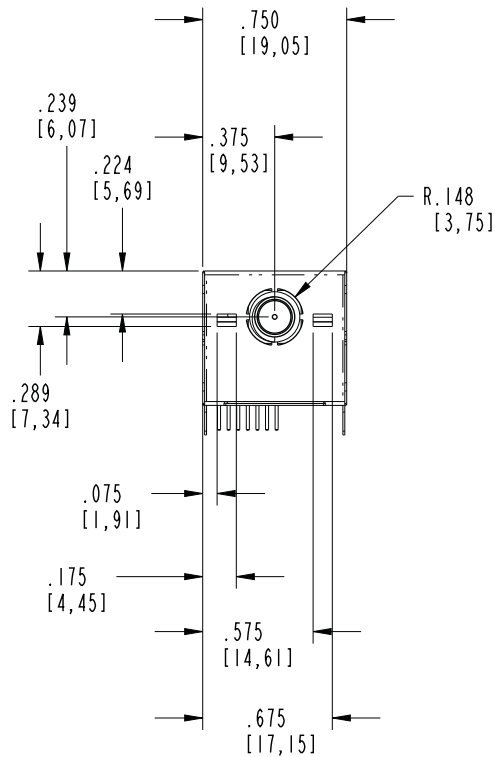
The following figures show the dimensions of Digi Connect Wi-ME and Digi Connect ME 9210 module.

**Note:** These are the tolerances for the drawings shown on this and the following pages:

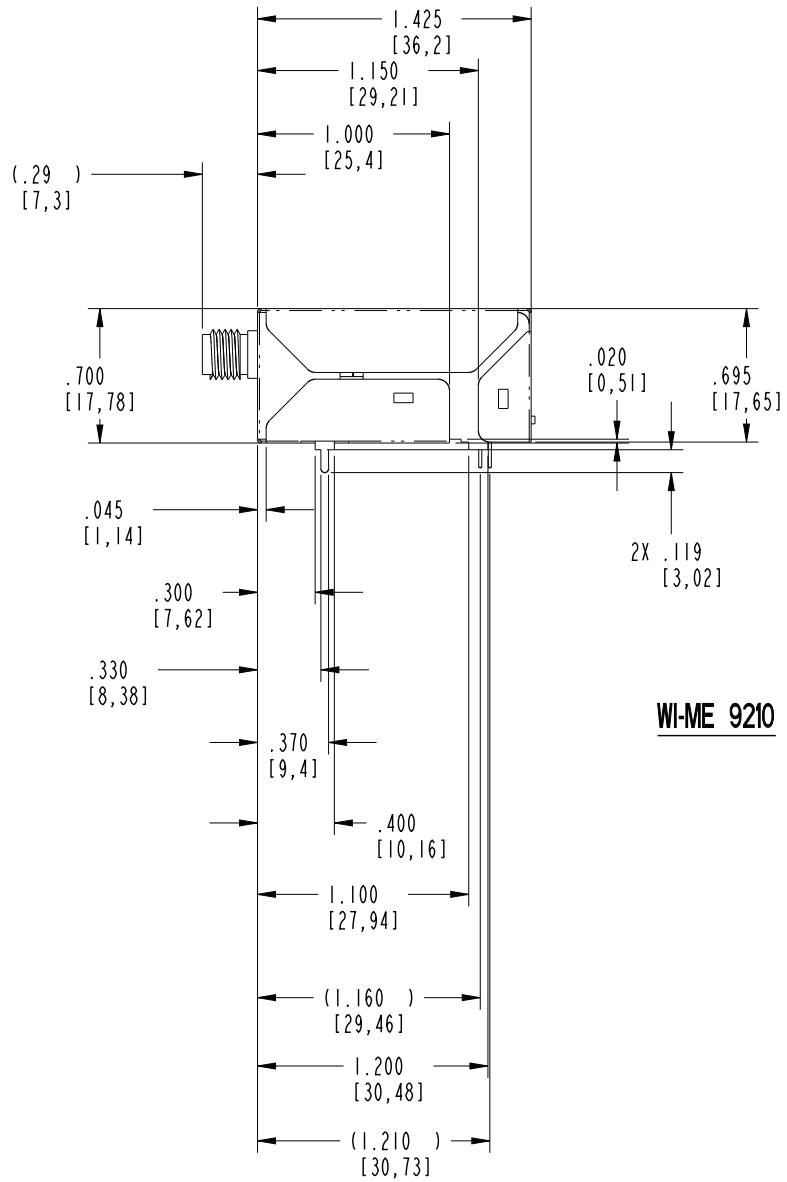
Measure	Tolerance
.XX	± .02
.XXX	± .010
Angles	± 3°

### Digi Connect Wi-ME Module

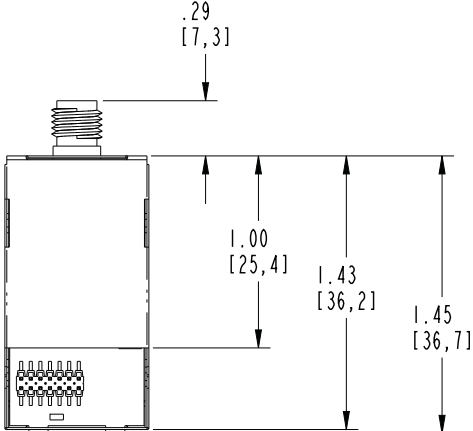
#### Front View



**Side View**

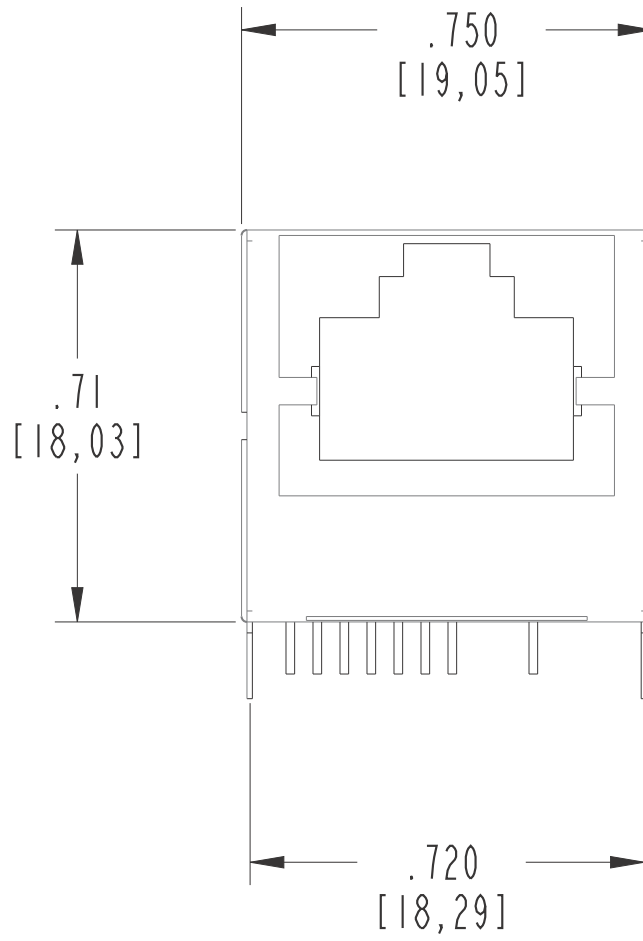


**Bottom View**

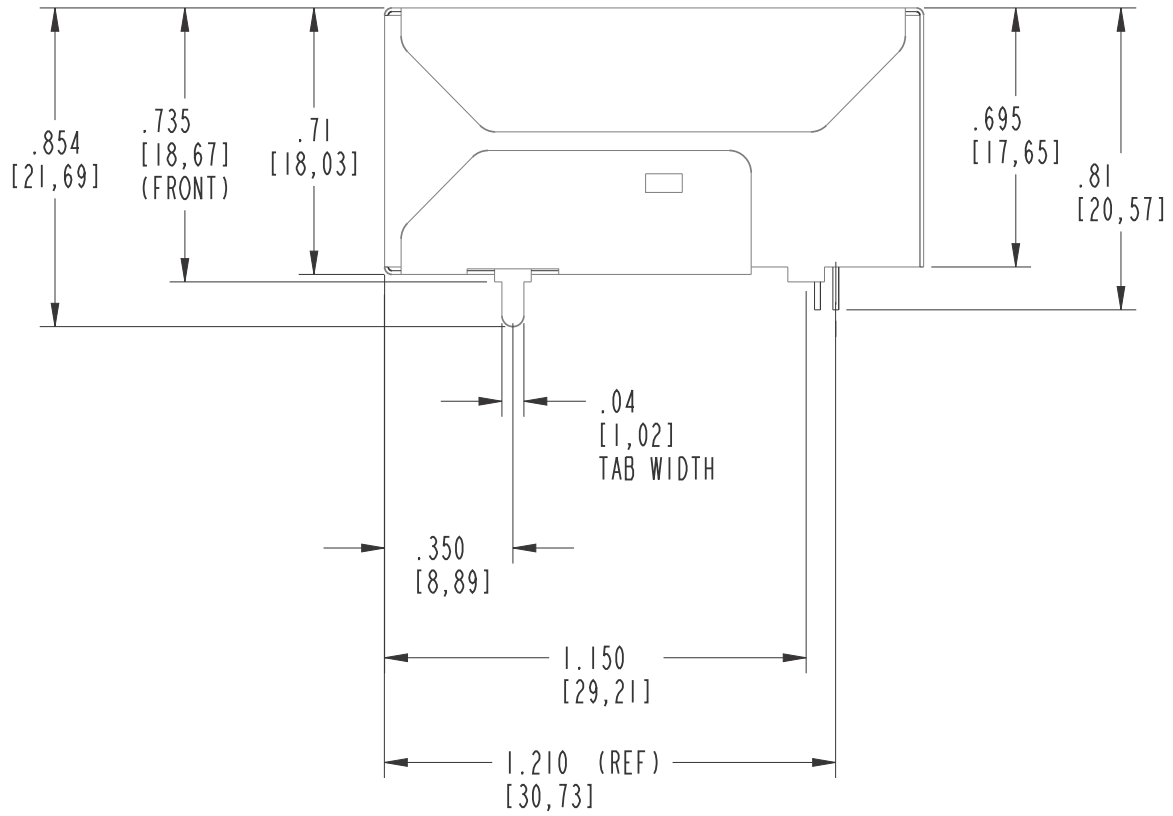


# Digi Connect ME 9210Module

## Front View

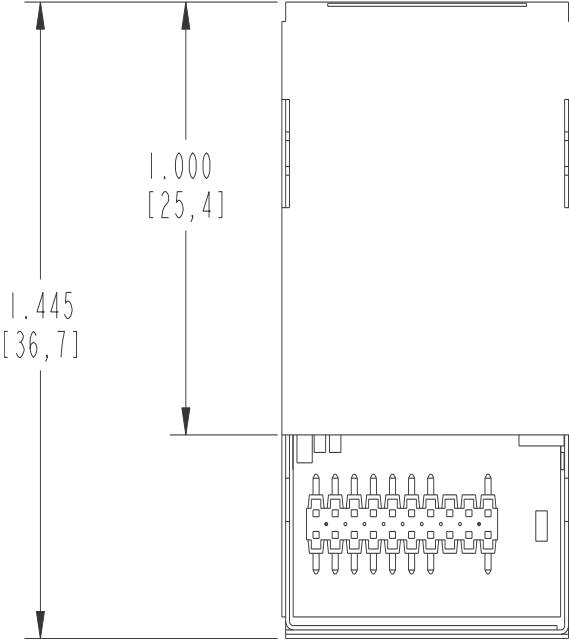


**Side View**



SIDE VIEW

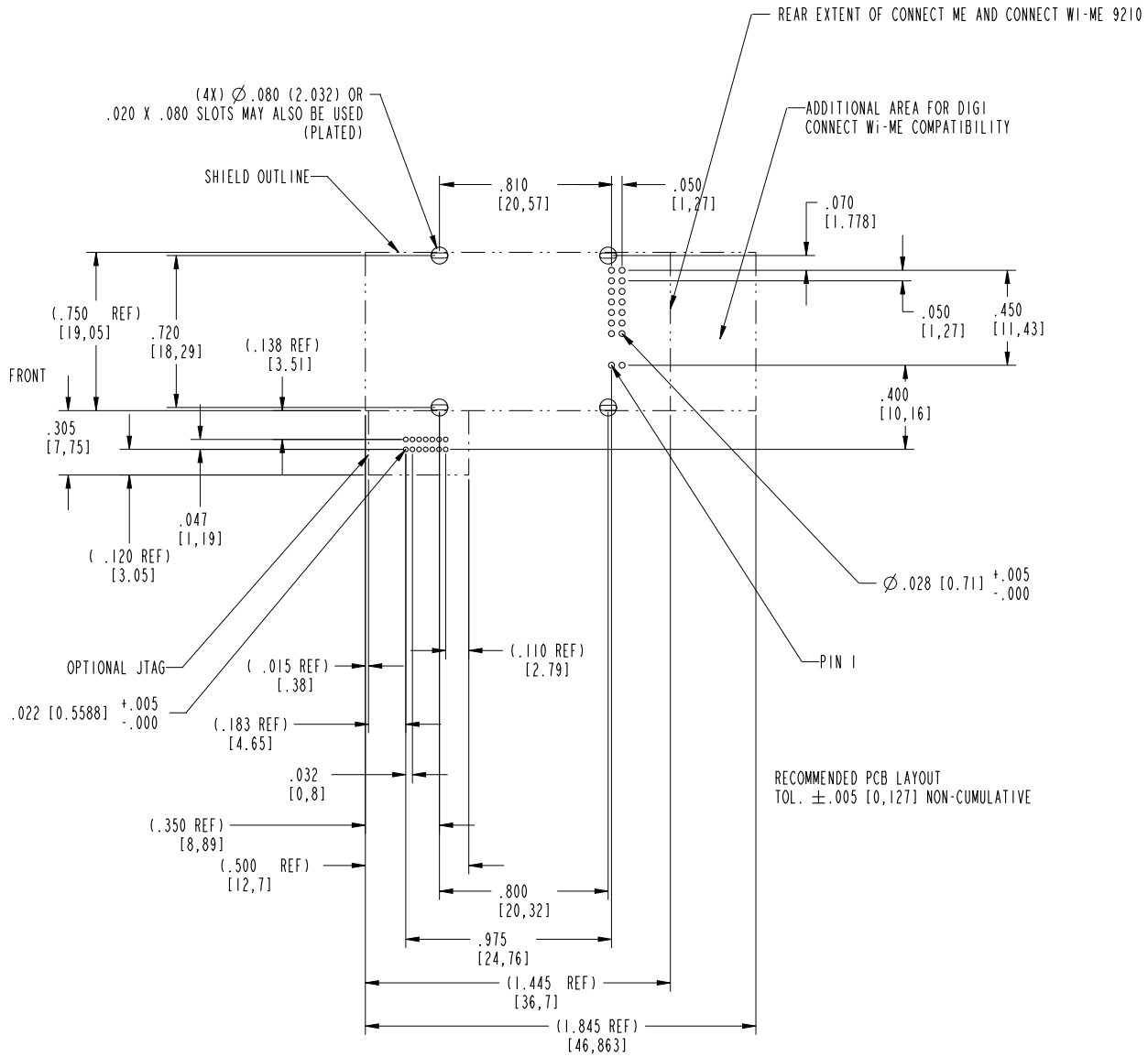
**Bottom View**



# Recommended PCB Layout

The following figure shows the recommended PCB (printed circuit board) layout of the Digi Connect Wi-ME.

## Digi Connect ME and Digi Connect Wi-ME

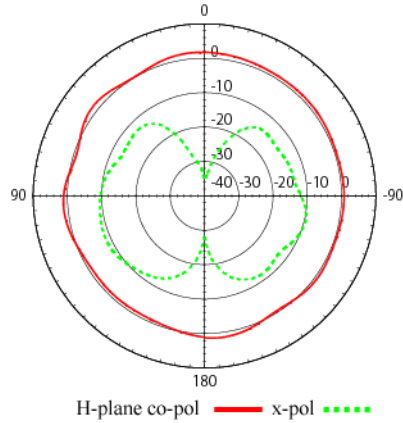


# Antenna Information

## Antenna Strength

The following diagram demonstrates the strength of the signal received by the whip antenna on both a horizontal and vertical plane. The diagram shows the magnetic field when the antenna is in a vertical position. The outside line represents the horizontal plane and the inside dotted line represents the vertical plane.

## Radiation Patterns



## Antenna Specifications

Antenna Description	Dipole
Frequency	2.4~2.5 GHz
Power Output	2 W
DB Gain	1.8 dBi
VSWR	< or = 2.0
Nominal Impedance	50 ohm
Dimension	108.5 x 10.0 mm
Weight	10.5g
Connector	RP-SMA
Part Number	DG-ANT-20DP-BG

Any antenna matching the in-band and out-of-band signal patterns and strengths of the antenna, whose characteristics are given in the Antenna Description table and the Radiation Pattern graphic may be used with the Digi Connect Wi-ME 9210.





## RF Exposure Statement

---

The Digi Connect Wi-ME 9210 module complies with the RF exposure limits for humans as called out in RSS-102. It is exempt from RF evaluation based on its operating frequency of 2.4 GHz, and effective radiated power less than the 3 watt requirement for a mobile device (>20 cm separation) operating at 2.4 GHz.

## Safety Statements

---

### **To avoid contact with electrical current:**

- Never install electrical wiring during an electrical storm.
- Never install an ethernet connection in wet locations unless that connector is specifically designed for wet locations.
- Use caution when installing or modifying ethernet lines.
- Use a screwdriver and other tools with insulated handles.
- You and those around you should wear safety glasses or goggles.
- Do not place ethernet wiring or connections in any conduit, outlet or junction box containing electrical wiring.
- Installation of inside wire may bring you close to electrical wire, conduit, terminals and other electrical facilities. Extreme caution must be used to avoid electrical shock from such facilities. You must avoid contact with all such facilities.
- Ethernet wiring must be at least 6 feet from bare power wiring or lightning rods and associated wires, and at least 6 inches from other wire (antenna wires, doorbell wires, wires from transformers to neon signs), steam or hot water pipes, and heating ducts.
- Do not place an ethernet connection where it would allow a person to use an ethernet device while in a bathtub, shower, swimming pool, or similar hazardous location.
- Protectors and grounding wire placed by the service provider must not be connected to, removed, or modified by the customer.
- Do not touch un-insulated ethernet wiring if lightning is likely!
- Do not touch or move the antenna(s) while the unit is transmitting or receiving.
- Do not hold any component containing a radio such that the antenna is very close to or touching any exposed parts of the body, especially the face or eyes, while transmitting.
- Do not operate a portable transmitter near unshielded blasting caps or in an explosive environment unless it is a type especially qualified for such use

Any *external* communications wiring you may install needs to be constructed to all relevant electrical codes. In the United States this is the National Electrical Code Article 800. Contact a licensed electrician for details.

# Certifications

## A P P E N D I X B

These products comply with the following standards.

### FCC Part 15 Class B

#### Radio Frequency Interference (RFI)(FCC 15.105)

The Digi Connect ME 9210 and Digi Connect Wi-ME 9210 embedded modules have been tested and found to comply with the limits for Class B digital devices pursuant to Part 15 Subpart B, of the FCC Rules. These limits are designed to provide reasonable protection against harmful interference in a residential environment. This equipment generates, uses, and can radiate radio frequency energy, and if not installed and used in accordance with the instruction manual, may cause harmful interference to radio communications. However, there is no guarantee that interference will not occur in a particular installation. If this equipment does cause harmful interference to radio or television reception, which can be determined by turning the equipment off and on, the user is encouraged to try and correct the interference by one or more of the following measures:

- Reorient or relocate the receiving antenna.
- Increase the separation between the equipment and the receiver.
- Connect the equipment into an outlet on a circuit different from that to which the receiver is connected.
- Consult the dealer or an experienced radio/TV technician for help.

*Les modules embarqués Digi Connect ME et Digi Connect Wi-ME ont été testés et approuvés dans le cadre des limites fixées par les règles de la FCC pour les dispositifs numériques de la classe B suivant la Partie 15 sous partie B.*

*Ces limites sont conçues pour assurer la protection raisonnable contre l'interférence nocive dans les environnements résidentiels. Ce dispositif génère, utilise et peut émettre de l'énergie de radiofréquence et s'il n'est pas installé et utilisé selon le manuel d'instruction, peut causer des interférences nocives aux communications par radio.*

*Cependant, il n'y a aucune garantie pour que l'interférence se ne produise pas dans le cas d'une installation spécifique.*

*Si l'équipement provoque quand même une interférence dangereuse avec la radio ou le récepteur de télévision, rendu visible en allumant ou éteignant les équipements, l'utilisateur est encouragé à essayer de corriger l'interférence avec une ou plusieurs des méthodes suivantes:*

- *Réorienter et changer la place de l'antenne de réception*
- *Augmenter la distance entre les équipements et le récepteur*
- *Brancher les équipements à une prise d'un circuit différent de celui où le récepteur est branché*
- *Consulter le revendeur ou un technicien radio/TV expérimenté pour obtenir une assistance.*

### **Labeling Requirements (FCC 15.19)**

This device complies with Part 15 of FCC rules. Operation is subject to the following two conditions: (1) this device may not cause harmful interference, and (2) this device must accept any interference received, including interference that may cause undesired operation.

If the FCC ID is not visible when installed inside another device, then the outside of the device into which the module is installed must also display a label referring to the enclosed module FCC ID. This exterior label can use wording such as the following: "Contains Transmitter Module FCC ID: MCQ-50M1745 / IC: 1846A-50M1745

*Ce dispositif est conforme à la partie 15 de règles de FCC. L'exploitation est soumise aux deux conditions suivantes: (1) ce dispositif ne peut pas causer d'interférences nocives et (2) ce dispositif doit accepter n'importe quelle interférence reçue, y compris l'interférence pouvant provoquer un fonctionnement non désirée.*

*Or si l'identification de FCC n'est pas évidente une fois installée à l'intérieur d'un autre dispositif, l'extérieur du dispositif dans lequel le module est installé doit également comporter une étiquette identifiant le FCC incluse dans le module.*

### **Modifications (FCC 15.21)**

Changes or modifications to this equipment not expressly approved by Digi may void the user's authority to operate this equipment.

*Tout changement ou modification apportés à ce dispositif n'étant pas expressément approuvés par Digi peut priver l'utilisateur de mettre en œuvre cet équipement.*

## Industry Canada

---

This digital apparatus does not exceed the Class B limits for radio noise emissions from digital apparatus set out in the Radio Interference Regulations of the Canadian Department of Communications.

*Le present appareil numerique n'emet pas de bruits radioelectriques depassant les limites applicables aux appareils numeriques de la class B prescrites dans le Reglement sur le brouillage radioelectrique edicte par le ministere des Communications du Canada.*

## Declaration of Conformity

---

### Digi Connect Wi-ME 9210 Conformity

(In accordance with FCC Dockets 96-208 and 95-19)

<b>Manufacturer's Name:</b>	Digi International
<b>Corporate Headquarters:</b>	11001 Bren Road East Minnetonka MN 55343
<b>Manufacturing Headquarters:</b>	10000 West 76th Street Eden Prairie MN 55344

Digi International declares, that the product:

<b>Product Name:</b>	Digi Connect Wi-ME 9210 embedded module
<b>Model Number:</b>	50001745-XX

to which this declaration relates, meets the requirements specified by the Federal Communications Commission as detailed in the following specifications:

- Part 15, Subpart B, for Class B Equipment
- FCC Docket 96-208 as it applies to Class B personal
- Computers and Peripherals

The product listed above has been tested at an External Test Laboratory certified per FCC rules and has been found to meet the FCC, Part 15, Class B, Emission Limits. Documentation is on file and available from the Digi International Homologation Department.

## Digi Connect ME 9210 Conformity

(In accordance with FCC Dockets 96-208 and 95-19)

**Manufacturer's Name:** Digi International

**Corporate Headquarters:** 11001 Bren Road East  
Minnetonka MN 55343

**Manufacturing Headquarters:** 10000 West 76th Street  
Eden Prairie MN 55344

Digi International declares, that the product:

**Product Name:** Digi Connect ME embedded module

**Model Number:** 50001528-XX

to which this declaration relates, meets the requirements specified by the Federal Communications Commission as detailed in the following specifications:

- Part 15, Subpart B, for Class B Equipment
- FCC Docket 96-208 as it applies to Class B personal
- Computers and Peripherals

The product listed above has been tested at an External Test Laboratory certified per FCC rules and has been found to meet the FCC, Part 15, Class B, Emission Limits. Documentation is on file and available from the Digi International Homologation Department.

## International EMC Standards

---

	Digi Connect ME	Digi Connect Wi-ME
Storage Temperature	-40°F to 257°F (-40°C to 125°C)	
Relative Humidity	Not to exceed 95% non-condensing (4° C to 45°C), constant absolute humidity above 45°C	
Altitude	12000 feet (3657.60 meters)	

The Digi Connect ME and Digi Connect Wi-ME embedded modules meet the following standards:

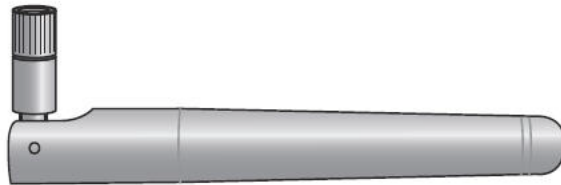
Standards	Digi Connect ME	Digi Connect Wi-ME
<b>Emissions</b>	AS/NZS 3548	AS/NZS 3548 CISPR 22
		FCC Part 15 Subpart C (FCC ID: MCQ-50M1745)
		IC RSS 210 (IC:1846A-501745)
	FCC Part 15 Subpart B ICES-003 EN 55022 EN 61000-4-2 EN 61000-4-3 EN 61000-4-6 EN 301 489-3 EN 300 328	
<b>Immunity</b>	EN 55024	
<b>Safety</b>	UL 60950-1 CSA 22.2 No. 60950--1 EN 60950	

## Antenna configurations

This device has been designed to operate with the antenna listed below, and having a maximum gain of [2] dBi. Antennas not included in this list or having a gain greater than [2] dBi are strictly prohibited for use with this device. The required antenna impedance is [50] ohms

The following antenna configuration was tested with the Connect Wi-ME 9210 module.

**Digi 29000095, Bobbintron SA-006-1, +2 dBi dipole antenna (NP-SMA)**



To reduce potential radio interference to other users, the antenna type and its gain should be so chosen that the equivalent isotropically radiated power (e.i.r.p.) is not more than that permitted for successful communication.



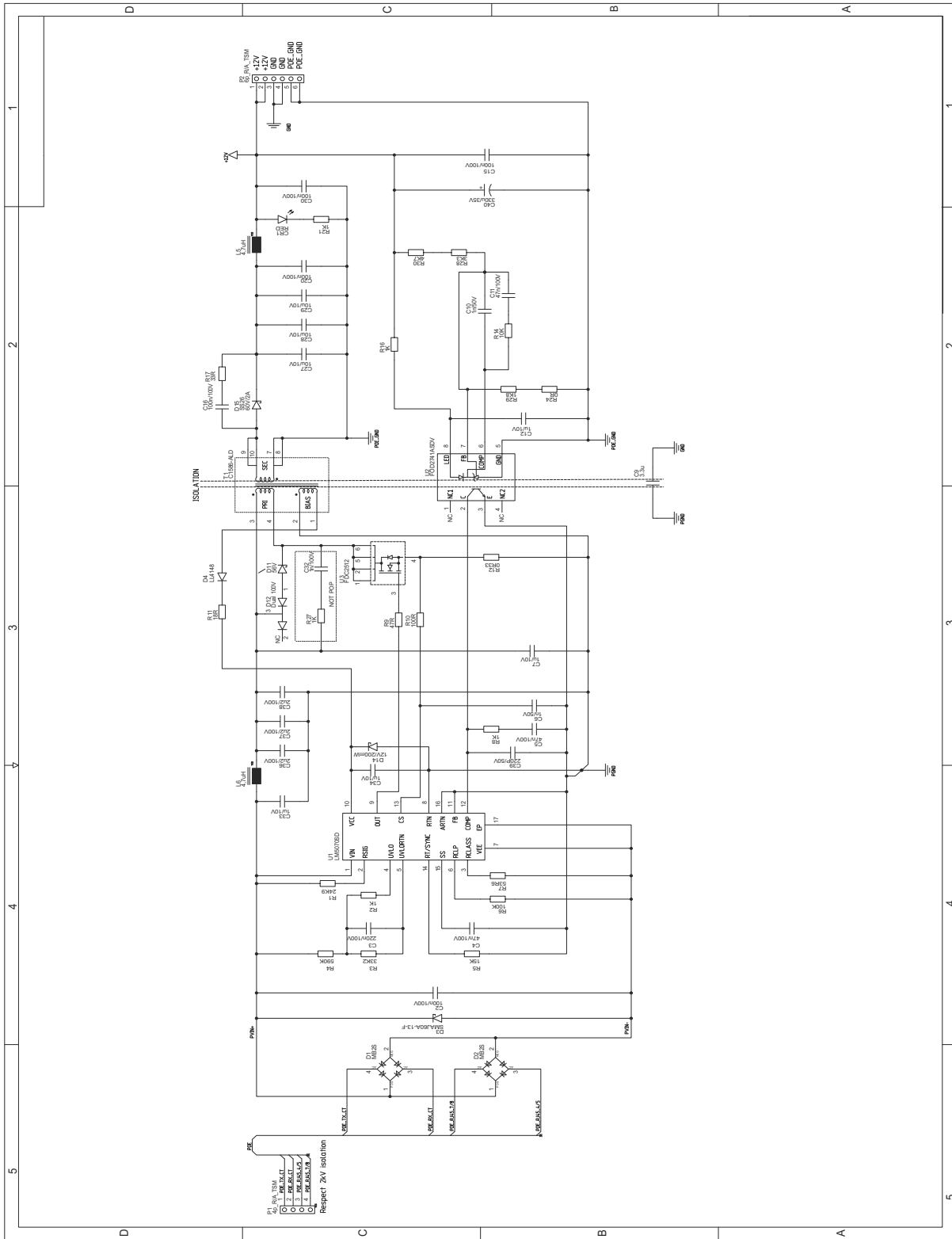
# *Sample Application: PoE Power Supply*

.....

## A P P E N D I X C

The following schematics are examples of PoE Power Supplies:

# 2/8 Digi Connect ME





# *Sample Application: TTL Signals to EIA-232*

.....

## A P P E N D I X D

The following schematic is an example of how to convert the modules's TTL signals to EIA-232.

# SAMPLE APPLICATION

