

100W, 35A Non-isolated SMT Point of Load with PMBus

Features

- ◆ Only 0.45 in² Board Space
- ◆ PMBus Compliant (Read & Write)
- ◆ Surface Mountable
- ◆ Digital Adaptive Control
- ◆ Parallel Operation with Current Sharing
- ◆ Configurable Sequence & Fault Management



Key Market Segments & Applications



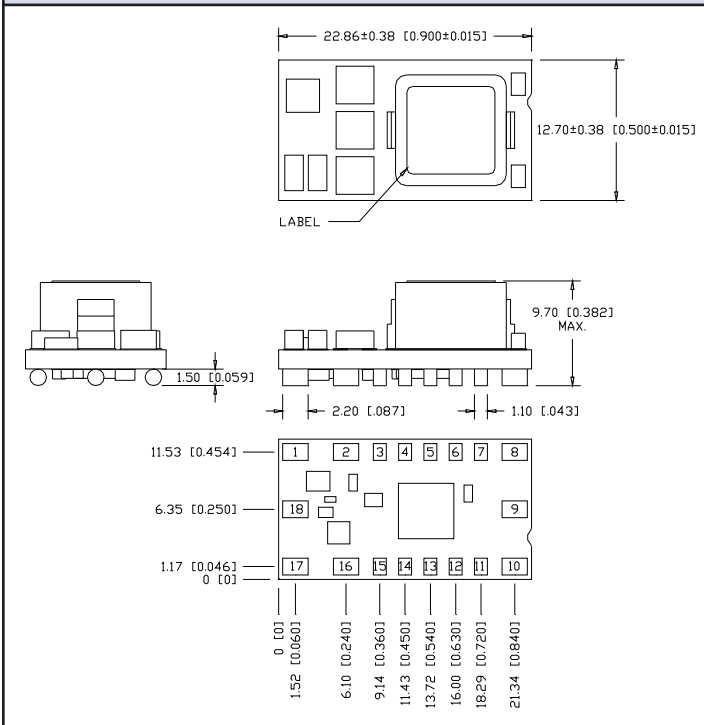
Specifications			
Model		iJA12035	
DC Output Voltage	V	0.6 - 3.3V	
DC Output Power (max)	W	100W	
DC Input Voltage	V	8 - 14V	
Efficiency	%	85 - 94%	
Output Voltage Tolerance	%	±2	
Line Regulation	mV	4 (Typical)	
Load Regulation	mV	8 (Typical)	
External Load Capacitance	uF	400 - 2400	
Output Ripple and Noise	mVpp	10	
Overcurrent Protection (Typ)	A	40A	
Remote On / Off	-	Negative Logic	
Remote Sense	-	Yes	
Operating Temperature	°C	-40 to 120 (see thermal data on website)	
Storage Temperature	°C	-55 to 125	
Safety Agency Approvals	-	IEC/EN/UL/CSA 60950-1, CE MARK	
Weight	g / oz	6.5g / 0.23 oz	
Size (LxWxH)	mm / in.	22.9 x 12.7 x 9.7 (0.9 x 0.5 x 0.382")	
Warranty	yrs	3 years	

Model Selector

Model	Input Voltage (V)	Output Current (A)	Output Voltage (V)	Remote On/Off	Pin 6 Function
iJA12035A007V-001-R	8 - 14	35	0.6 - 3.3	Negative	SALERT
iJA12035A007V-0P1-R	8 - 14	35	0.6 - 3.3	Negative	FAULT indication (parallel operation)

Preferred

Outline Drawing



Pinout

PIN	Function	PIN	Function
1	Power Ground (0V)	10	+V Output
2	Power Ground (0V)	11	+ Remote Sense
3	Remote On/Off	12	- Remote Sense
4	PMBus Clock	13	Output Trim
5	PMBus Data	14	Current Share
6	PMBus Alert / Fault	15	Synchronize
7	PMBus Address	16	Power Ground (0V)
8	+V Output	17	Power Ground (0V)
9	+V Output	18	+V Input

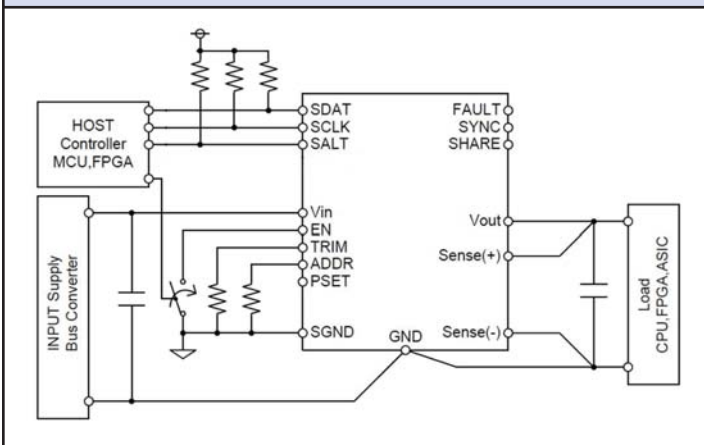
Evaluation Board

Evaluation kit part #	Contents
iJA35A-001-EVKIT-S1	Evaluation board with one piece of iJA12035A007V-001-R PMBus Dongle Board & USB cable CD ROM User manual available at iJx series technical file in our website

Other Industrial Products

CC-E	1.5 - 30W 5, 12, 24 or 48V input isolated DC-DC converters
PX	10 - 60W 12, 24 or 48V input isolated DC-DC converters
iJA, iJB, iJC	35 - 100A non isolated DC-DC converters with PMBus
iAF, iBF, iCF, iCG	3 - 20A DOSA2 non isolated DC-DC converters
iQE, iQL, iQG	96 - 400W Quarter bricks
iEH	300W Eighth brick

Typical Application Circuit



For Additional Information, please visit www.tdk-lambda.com/lp/products/ijb-series.htm

