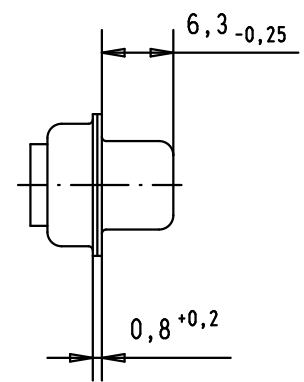
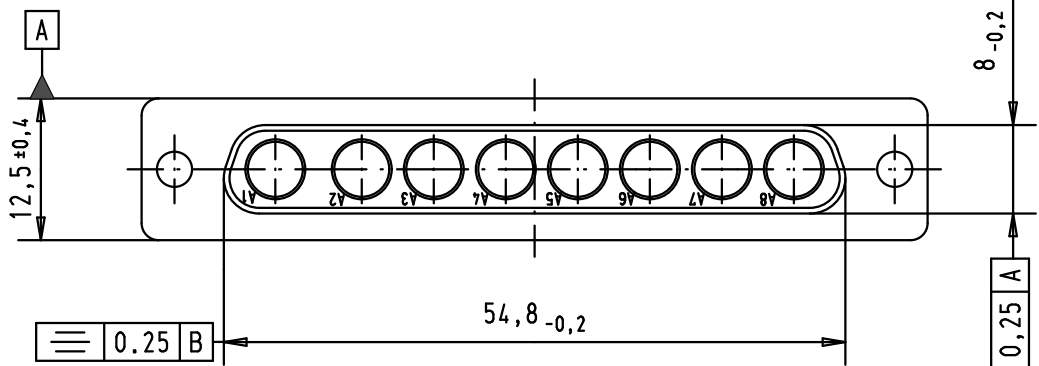
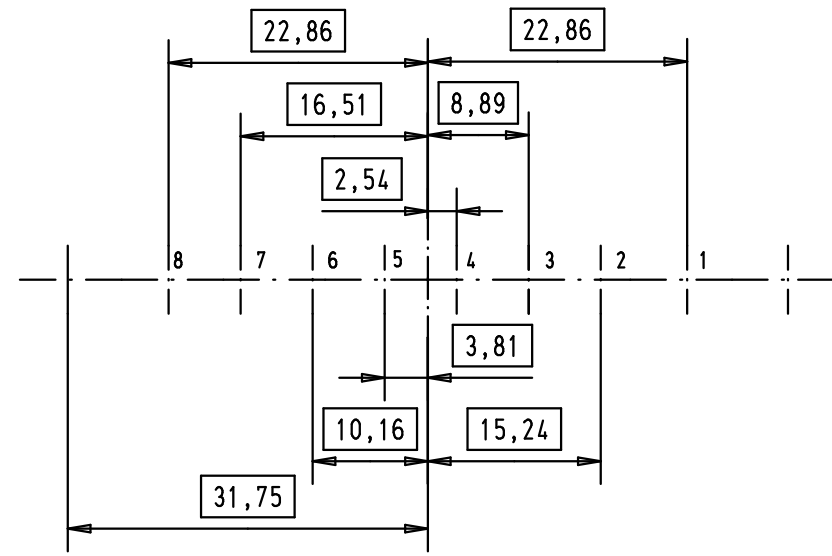
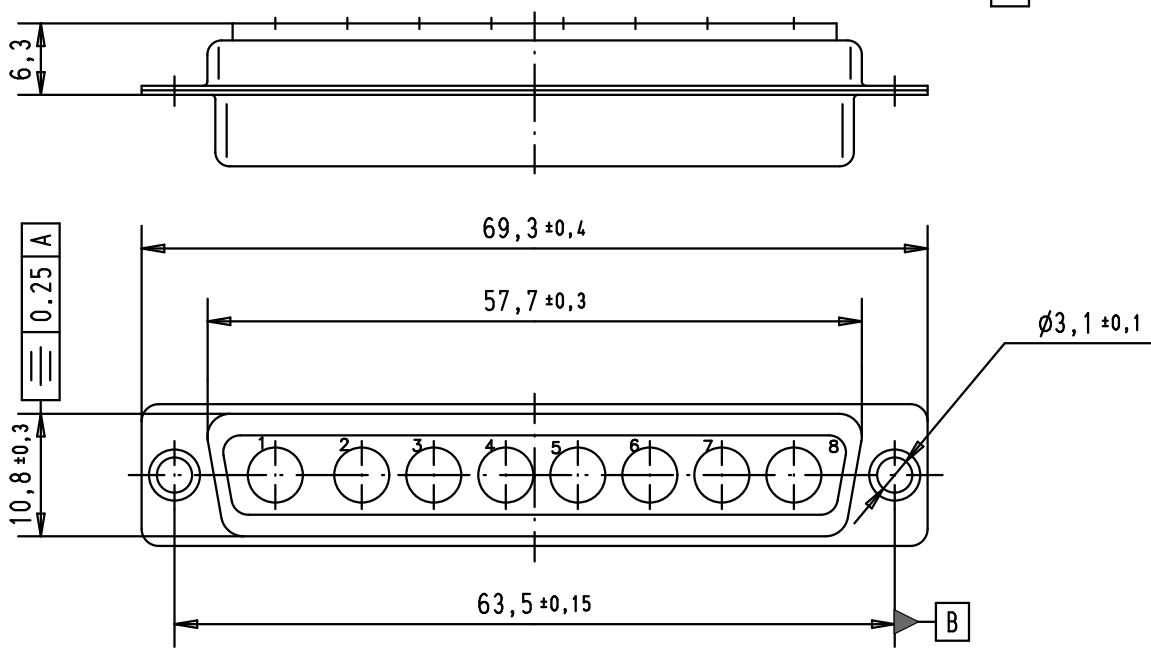




5 4 3 2 1



PCB hole pattern, mounting side



D
C
B
A

				Dat.	Name	 All Dim. in mm Orig. Size DIN A 4	D-sub, Female, 8W8, without contact, with tin plated shell	Maßstab/ Scale 1.5:1
			Detail.	17/11/00	AF			
			Insp.					
EC01706	21/04/10	SC	Stand.				TB 09694000088	Blatt/ Page 1
31097	30-SEP-02	CV	HARTING EURL					
27959	17/11/00	AF	F-95972 Paris					
Mod.	Dat.	Name						

Sub.