

9 TO 25 CONTACTS : 1.84 ^{+0.1}/₀
 31 TO 41 CONTACTS : 3 ⁰/_{-0.1}

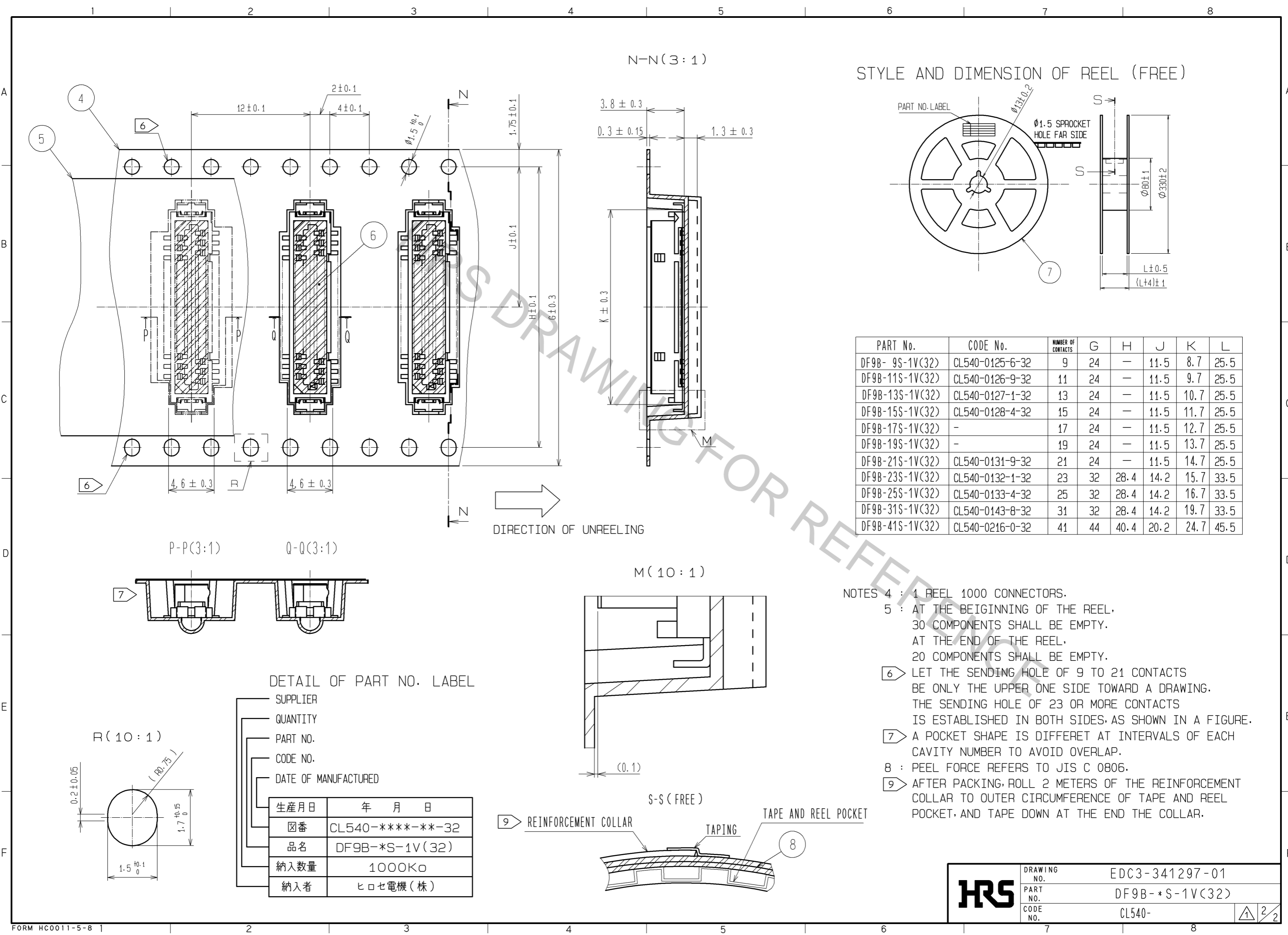
PART No.	CODE No.	NUMBER OF CONTACTS	A	B	C	D	E	F
DF9B-9S-1V(32)	CL540-0125-6-32	9	10.1	8.3	6.5	3	4	8.4
DF9B-11S-1V(32)	CL540-0126-9-32	11	11.1	9.3	7.5	4	5	9.4
DF9B-13S-1V(32)	CL540-0127-1-32	13	12.1	10.3	8.5	5	6	10.4
DF9B-15S-1V(32)	CL540-0128-4-32	15	13.1	11.3	9.5	6	7	11.4
DF9B-17S-1V(32)	-	17	14.1	12.3	10.5	7	8	12.4
DF9B-19S-1V(32)	-	19	15.1	13.3	11.5	8	9	13.4
DF9B-21S-1V(32)	CL540-0131-9-32	21	16.1	14.3	12.5	9	10	14.4
DF9B-23S-1V(32)	CL540-0132-1-32	23	17.1	15.3	13.5	10	11	15.4
DF9B-25S-1V(32)	CL540-0133-4-32	25	18.1	16.3	14.5	11	12	16.4
DF9B-31S-1V(32)	CL540-0143-8-32	31	21.1	19.3	17.5	14	15	19.4
DF9B-41S-1V(32)	CL540-0216-0-32	41	26.1	24.3	22.5	19	20	24.4

NOTES 1 : LEAD CO-PLANARITY INCLUDE REINFORCED METAL FITTINGS SHALL BE 0.1mm MAX.
 ② HRS MARK AND CAV NO. ARE INDICATED IN APPROX POSITION SHOWN.
 ③ 9 TO 25 CONTACT CONNECTORS HAVE ONE LOCK AT CENTER OF HOUSING.
 31 TO 41 CONTACT CONNECTORS HAVE TWO LOCKS AS PER DRAWING.

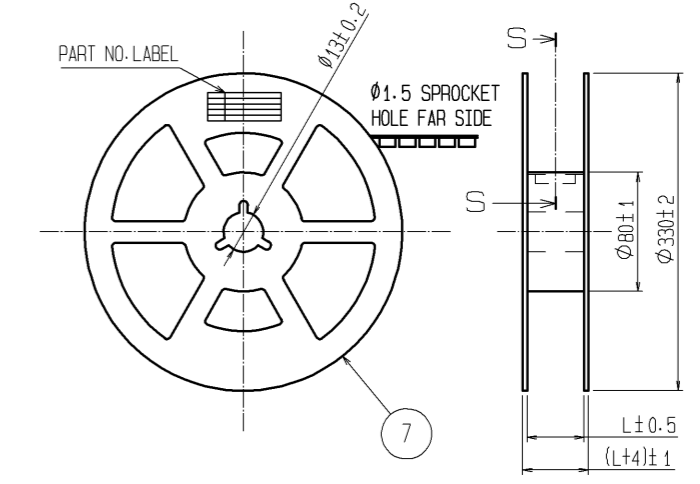
NO.	MATERIAL	FINISH . REMARKS	NO.	MATERIAL	FINISH . REMARKS
3	BRASS	SURFACE:TIN PLATED(REFLOW FINISH)1μm min UNDER PLATING:COPPER 0.3μm min	8	PS	REINFORCEMENT COLLAR
2	PHOSPHOR BRONZE	TIN PLATED(HOT DIP) 1μm min	7	PS	BLACK(PLASTIC REEL)
1	POLYAMIDE	BEIGE, UL94V-0	6	POLYIMIDE	BROWN(HEAT-RESISTANCE TAPE)
			5	POLYESTER	CLEAR(COVER TAPE)
			4	PS	CLEAR(EMBOSSED CARRIER TAPE)

UNITS	SCALE	COUNT	DESCRIPTION OF REVISIONS	DESIGNED	CHECKED	DATE
mm	5 : 1	△	DIS-H-006728	KT. IWAMA	AR. TAKAHASHI	12.04.10

APPROVED	CHECKED	DESIGNED	DRAWN	DATE	DRAWING NO.	PART NO.	CODE NO.
KH. IKEDA	AR. TAKAHASHI	SH. HOSODA	KR. AJITO	12.02.21	EDC3-341297-01	DF9B-*S-1V(32)	CL540-



STYLE AND DIMENSION OF REEL (FREE)



PART No.	CODE No.	NUMBER OF CONTACTS	G	H	J	K	L
DF9B-9S-1V(32)	CL540-0125-6-32	9	24	-	11.5	8.7	25.5
DF9B-11S-1V(32)	CL540-0126-9-32	11	24	-	11.5	9.7	25.5
DF9B-13S-1V(32)	CL540-0127-1-32	13	24	-	11.5	10.7	25.5
DF9B-15S-1V(32)	CL540-0128-4-32	15	24	-	11.5	11.7	25.5
DF9B-17S-1V(32)	-	17	24	-	11.5	12.7	25.5
DF9B-19S-1V(32)	-	19	24	-	11.5	13.7	25.5
DF9B-21S-1V(32)	CL540-0131-9-32	21	24	-	11.5	14.7	25.5
DF9B-23S-1V(32)	CL540-0132-1-32	23	32	28.4	14.2	15.7	33.5
DF9B-25S-1V(32)	CL540-0133-4-32	25	32	28.4	14.2	16.7	33.5
DF9B-31S-1V(32)	CL540-0143-8-32	31	32	28.4	14.2	19.7	33.5
DF9B-41S-1V(32)	CL540-0216-0-32	41	44	40.4	20.2	24.7	45.5

- NOTES
- 4 : 1 REEL 1000 CONNECTORS.
 - 5 : AT THE BEGINNING OF THE REEL, 30 COMPONENTS SHALL BE EMPTY. AT THE END OF THE REEL, 20 COMPONENTS SHALL BE EMPTY.
 - 6 LET THE SENDING HOLE OF 9 TO 21 CONTACTS BE ONLY THE UPPER ONE SIDE TOWARD A DRAWING. THE SENDING HOLE OF 23 OR MORE CONTACTS IS ESTABLISHED IN BOTH SIDES AS SHOWN IN A FIGURE.
 - 7 A POCKET SHAPE IS DIFFERET AT INTERVALS OF EACH CAVITY NUMBER TO AVOID OVERLAP.
 - 8 : PEEL FORCE REFERS TO JIS C 0806.
 - 9 AFTER PACKING, ROLL 2 METERS OF THE REINFORCEMENT COLLAR TO OUTER CIRCUMFERENCE OF TAPE AND REEL POCKET, AND TAPE DOWN AT THE END THE COLLAR.

DETAIL OF PART NO. LABEL

SUPPLIER

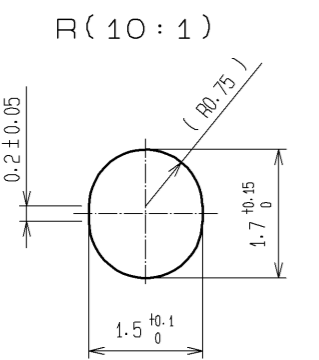
QUANTITY

PART NO.

CODE NO.

DATE OF MANUFACTURED

生産月日	年 月 日
箱番	CL540-****-**-32
品名	DF9B-*S-1V(32)
納入数量	1000K0
納入者	ヒロセ電機(株)



HRS	DRAWING NO.	EDC3-341297-01
	PART NO.	DF9B-*S-1V(32)
	CODE NO.	CL540-

2/2