



PRODUCT NUMBER  
20020521-XXXXXXLF

20020521-□ □ □ □ □ 0 □ L F

PITCH  
U : 10.16 mm

POLES

02 : 2 POLES  
03 : 3 POLES  
04 : 4 POLES  
08 : 08 POLES

LF : DENOTED RoHS COMPATIBLE

1 : STANDARD PRODUCT  
W/ BOX PACKING

SCREW CODE

CODE	SCREW TYPE	AVAILABILITY
A	-/+	ON REQUEST ONLY
B	-	STANDARD

ALL FLANGE SCREWS ARE ONLY AVAILABLE IN +/- COMBINATION SCREW TYPES.

HOUSING CODE

CODE	COLOR	AVAILABILITY
1	GREEN(RAL 6018/T)	STANDARD
2	BLACK	ON REQUEST ONLY
3	GREY(RAL 7004/P)	ON REQUEST ONLY
4	BLUE(RAL 5015/A)	ON REQUEST ONLY

PROPERTY TABLE			
FCI SERIES NAME		28-1016	
PITCH (mm)		10.16	
VOLTAGE RATING (VAC)		300	
CURRENT RATING (A)		55	
APPLICABLE WIRE RANGE (AWG)	1-WIRE	6~20	
	2-WIRE	10	
WIRE CROSS SECTION (mm <sup>2</sup> )	SOLID	1-WIRE	16
		2-WIRE	6
	STRANDED	1-WIRE	16
		2-WIRE	6
OPENING CONTACT HOUSING(mm <sup>2</sup> )		5.5x6.0	
WIRE STRIP LENGTH(mm)		13~14	
TORQUE +/-10% (N-m/Lb-in)		1.15/10.4	
SCREW		M4.5x0.75	
WITHSTANDING VOLTAGE (kV)		1.6	
OPERATING TEMP. (°C)		-40~+115	
SOLDERING TEMP. (°C)		250±10 (5 sec.)	
POLES AVAILABLE		02~08	
SAFETY CERTIFICATE		us	

NOTES:

1. MATERIALS

- 1-1 HOUSING: THERMALPLASTIC RESIN, UL 94V-0 RATED.
- 1-2 TERMINAL COVER: THERMALPLASTIC RESIN, UL 94V-0 RATED.
- 1-3 SCREW: STEEL, ZINC PLATED.
- 1-4 CLAMP: COPPER ALLOY, NICKEL PLATED.
- 1-5 TERMINAL: COPPER ALLOY, TIN PLATED.
- 1-6 WIRE GUARD: STAINLESS STEEL.

2. PRODUCTION SPECIFICATION REFER TO FCI GS-12-625.

3. BOXED PACKAGING.

DETAILED PRODUCT PACKING SPECIFICATION REFER TO FCI GS-14-1394.

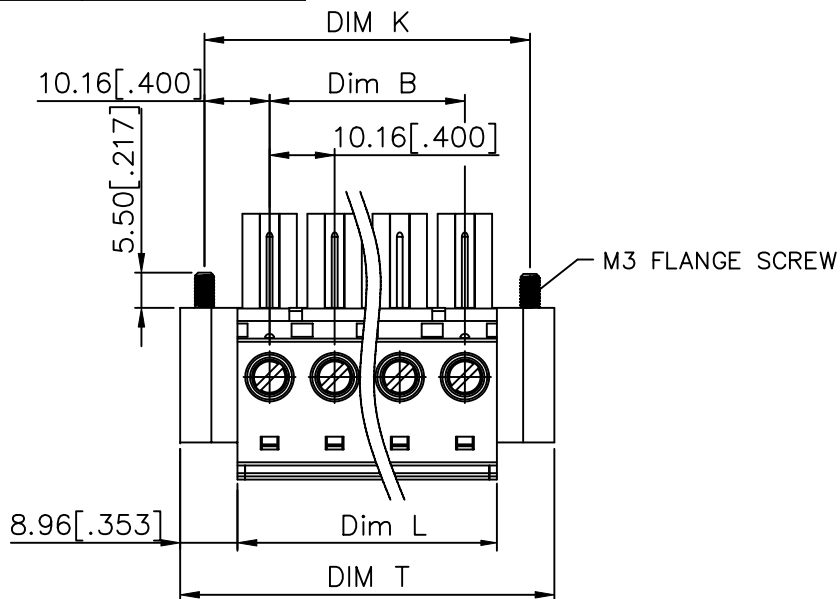
4. FCI, SAFETY CERTIFICATE LOGO AND SERIES NAME TO BE SHOWN ON PRODUCT SURFACE.

5. THE PRODUCTS WHERE THE PART NUMBER END IN "LF" MEET THE EUROPEAN UNION DIRECTIVE AND OTHER COUNTRY REGULATIONS AS DESCRIBED IN GS-22-008.

mat'l. code				surface ASME Y14.5 ✓		tolerance ASME Y14.5		projection		product family TERMINAL BLOCK			
litr				ecn no		dr		date		title			
A				T10-0160		WL		101210		TERMINAL BLOCK			
B				T10-0187		WL		121410		PLUGGABLE, POWER, PLUG W/FLANGE			
C				T-005285		WL		082311		scale			
										dwg no 20020521 sheet 1 of 2 size A4			
										type CUSTOMER Drawing			
sheet index				revision		C		C					
						1		2					



PRODUCT NUMBER	SERIES NAME	PITCH
20020521-UXXXXXXLF	28-1016	10.16 mm

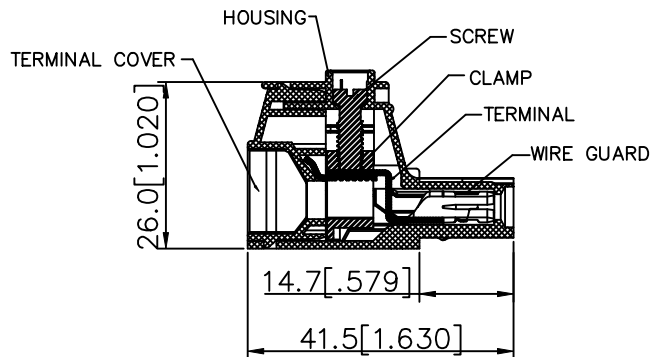
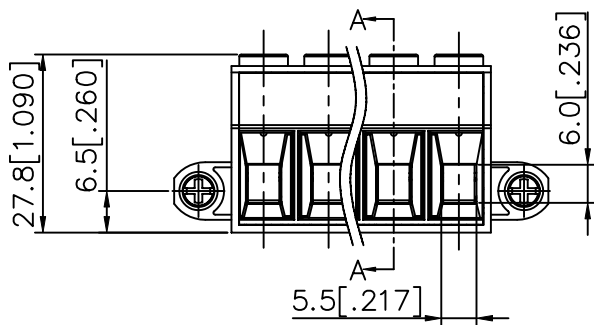


DIMENSION:

Dim L	$N * 10.16 [ .400 ] - 0.16 [ .006 ]$
Dim B	$(N - 1) * 10.16 [ .400 ]$
Dim K	$(N + 1) * 10.16 [ .400 ]$
Dim T	$N * 10.16 [ .400 ] + 17.92 [ .706 ]$

N=Number of contacts

Poles	Dim.L & B	Dim.K & T
2p-3p	$\pm 0.15 [ .006 ]$	$\pm 0.15 [ .006 ]$
4p-6p	$\pm 0.20 [ .008 ]$	$\pm 0.25 [ .010 ]$
7p-8p	$\pm 0.30 [ .012 ]$	$\pm 0.35 [ .014 ]$



SECTION A-A

mat'l. code		surface ASME Y14.5	tolerance ASME Y14.5	projection 	product family TERMINAL BLOCK
ltr	ecn no	dr	date	title	
tolerances unless otherwise specified				 scale	TERMINAL BLOCK PLUGGABLE, POWER, PLUG W/FLANGE
angles		$X \pm 0.5$ $X.X \pm 0.3$ $X.XX \pm 0.1$			
X°±1'					
dr		WENDY CHEN 091410		dwg no 20020521 sheet 2 of 2 size A4	
enr		JASON HSU 091410			
chr		JASON HSU 091410			
appd		JASON HSU 091410			
sheet index	revision sheet	type CUSTOMER Drawing			