

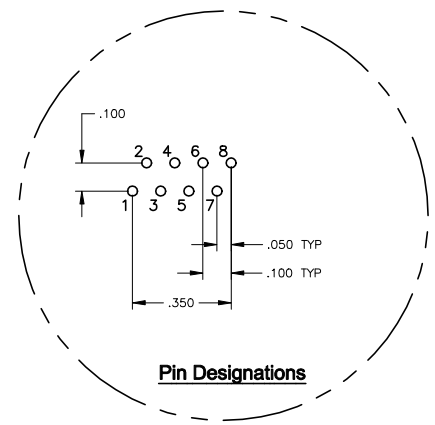
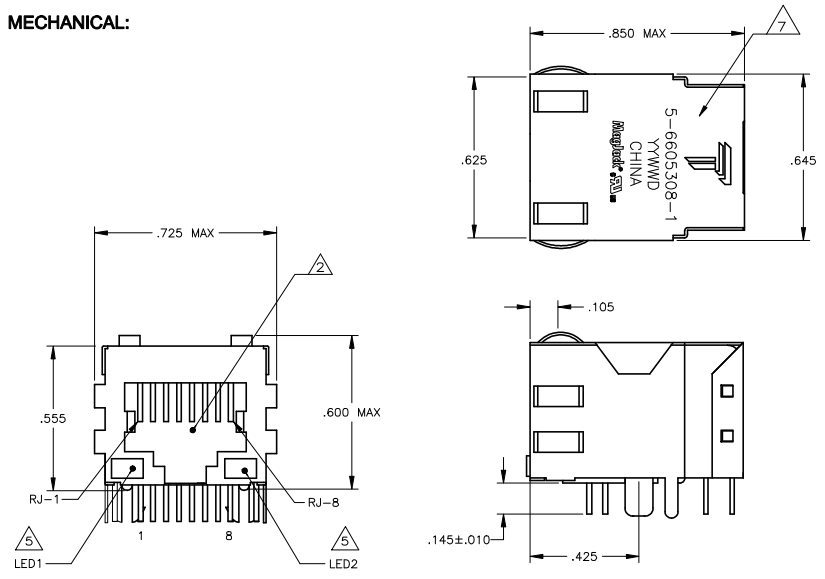
8 7 6 5 4 3 2 1

THIS DRAWING AND THE SUBJECT MATTER SHOWN THEREON ARE CONFIDENTIAL AND THE PROPERTY OF BEL/STEWART/TRP CONNECTOR AND SHALL NOT BE REPRODUCED, COPIED, OR USED IN ANY MANNER WITHOUT THE WRITTEN CONSENT OF TRP CONNECTOR.

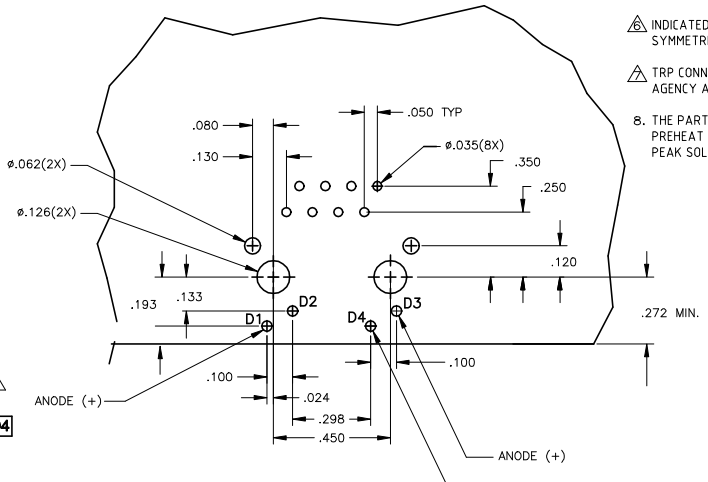
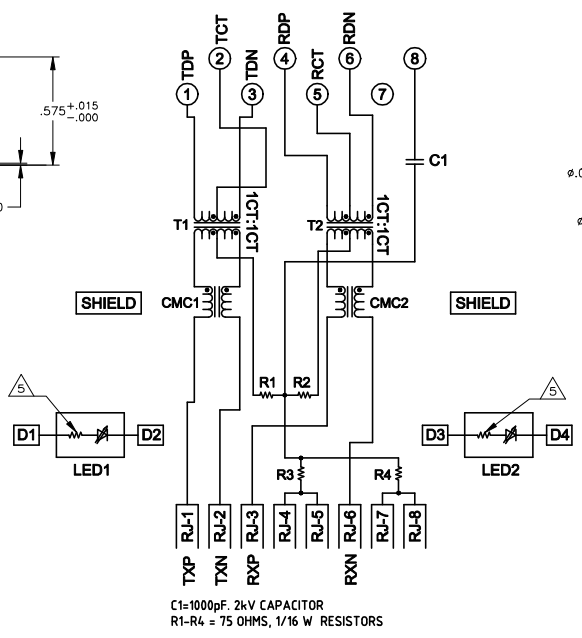
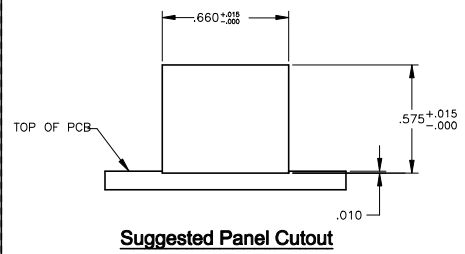
PRODUCT MAY BE PROTECTED BY ONE OR MORE OF THE FOLLOWING US PATENTS:  
 5736910 5939955 6425781 6428361 6554638 6840817 7123117  
 7429195 7717749 7808751 6217391 6149050 7924130

REVISIONS			
REV	DATE	DESCRIPTION	BY
E	EC-1411035	COMPANY LOGO CHANGE	23DEC2014 ST TL

**MECHANICAL:**



**326P1 SERIES MAGNETIC CIRCUIT**



- MATERIALS:
  - HOUSING - THERMOPLASTIC PET POLYESTER FLAMMABILITY RATING UL 94V-0. SHIELD - .010" THICK, C26800 BRASS PREPLATED WITH 30µNCH SEMI-BRIGHT NICKEL. SOLDER TABS POST DIPPED WITH 100µNCH MIN SAC SOLDER.
  - MOD JACK CONTACTS - 0.0157 X 0.018" PHOSPHOR BRONZE, 50µNCH MIN OVERALL NICKEL UNDERPLATE, WITH SELECT 50µNCH MIN HARD GOLD FINISH PLATE SOLDER TAILS WITH 100µNCH MIN MATTE TIN AND/OR SAC SOLDER DIP.
  - LIGHT EMITTING DIODE(LED) - DIFFUSED EPOXY LENS, .020" x .020" CARBON STEEL WIREFRAME LEADS PRE-PLATED WITH 80µNCH SILVER OVER 40µNCH NICKEL UNDERPLATE OVER 40µNCH COPPER UNDERPLATE. POST-PLATED WITH 100µNCH MIN MATTE TIN AND/OR SAC SOLDER DIP OR PURE TIN SOLDER DIP.
- RJ45 JACK CAVITY CONFORMS TO FCC RULES AND REGULATIONS PART 68, SUB PART F.
  - MAGNETICS
    - IMPEDANCE: 100 OHMS
    - TURNS RATIO (CHIP-CABLE): TX = 1:1, RX = 1:1
    - OPEN CIRCUIT INDUCTANCE (OCL): 350µH MIN @100kHz, 0.1VRMS, 8mADC BIAS FROM 0°C TO 70°C, TX AND RX
    - PERFORMANCE @ 25°C:
      - INSERTION LOSS (IL): 1.1dB MAX FROM 0.5MHz TO 100MHz
      - RETURN LOSS (RL): 18dB MIN FROM 0.5MHz TO 30MHz
      - 18 - 20LOG(f/30)dB MIN FROM 30.1MHz TO 60MHz
      - 12dB MIN FROM 60.1MHz TO 80MHz
      - CROSSTALK ATTENUATION: 35dB MIN FROM 0.5MHz TO 4.0MHz
      - 33 - 20\*LOG(f/50)dB MIN FROM 4.0MHz TO 100MHz
      - COMMON MODE REJECTION RATIO (CMRR): 30dB MIN FROM 0.5MHz TO 100MHz
      - ISOLATION VOLTAGE: 2250VDC (MAX) FOR 60 SECONDS WITH A RISE TIME OF 500V/SEC.
- OPERATING TEMPERATURE: FROM 0°C - +70°C.
- LED WITH 250 OHM RESISTORS. LED IS DRIVEN WITH 5V VOLTAGE AND THE MAX OPERATING CURRENT IS 20mA.
  - LED COLOR - DOMINANT WAVELENGTH (AD): GREEN 568 nm TYP @ VF=5V
  - FORWARD CURRENT (IF): GREEN 12 mA TYP @ VF=5V
  - DOMINANT WAVELENGTH (AD): YELLOW 588 nm TYP @ VF=5V
  - FORWARD CURRENT (IF): YELLOW 13 mA TYP @ VF=5V
- INDICATED CONNECTIONS ARE FOR NIC CONFIGURATION. THE MAGNETICS ARE SYMMETRICAL, AND DO SUPPORT AUTO-MDI/MDIX.
- TRP CONNECTOR LOGO, PART NUMBER, DATE CODE, COUNTRY OF ORIGIN AND AGENCY APPROVAL MARKING IN APPROXIMATE LOCATION SHOWN.
- THE PART IS RECOMMENDED FOR WAVE SOLDERING PROCESS. PREHEAT TEMPERATURE IS 120°C TO 160°C, 120 SECONDS TO 180 SECONDS. PEAK SOLDERING TEMPERATURE IS 260 °C MAX, 10 SECONDS MAX.

**Suggested PCB Layout (Component Side)**

GREEN	YELLOW	5-6605308-1
LED1	LED2	PART NUMBER

THIS DRAWING IS A CONTROLLED DOCUMENT.		REV: GATTADA-D006	DATE: 04/08/14	DESIGNER: D.FABRILE	DRAWN: D.FABRILE
DIMENSIONS: INCHES		MODEL NAME: MAGJACK SINGLE NON-POE			
DIMENSIONS: MILLIMETERS		SCALE: 1X1 326P1 10/100 TAB DOWN W/ LED			
PRODUCT SPEC: 108-2100		DATE CODE: A1		DRAWING NO: C-6605308	
CUSTOMER DRAWING		SCALE: NTS		SHEET: 1 OF 1	