

**Product number C15800_MOLLY-S**

Family Molly
 Type Lens
 LED CLL03x/CLU03x
 Color Clear
 Diameter 69.8 mm
 Height 24.8 mm
 Style Round
 Optic Material PMMA
 Holder Material -
 Fastening ""
 Status Production ready

FWHM 23 degrees
 Efficiency 87 %
 cd/lm 3.870
 Gerber File Available

Socket/connector need to be ordered separately

Product number C15801_MOLLY-M

Family Molly
 Type Lens
 LED CLL03x/CLU03x
 Color Clear
 Diameter 69.8 mm
 Height 23.6 mm
 Style Round
 Optic Material PMMA
 Holder Material -
 Fastening ""
 Status Production ready

FWHM 36 degrees
 Efficiency 89 %
 cd/lm 2.060
 Gerber File Available

Socket/connector need to be ordered separately

Product number C15802_MOLLY-W

Family Molly
 Type Lens
 LED CLL03x/CLU03x
 Color Clear
 Diameter 69.8 mm
 Height 22.1 mm
 Style Round
 Optic Material PMMA
 Holder Material -
 Fastening ""
 Status Production ready

FWHM 61 degrees
 Efficiency 89 %
 cd/lm 0.850
 Gerber File Available

Socket/connector need to be ordered separately

NOTE: The typical divergence will be changed by different color, chip size and chip position tolerance. The typical total divergence is the full angle measured where the luminous intensity is half of the peak value.



PRODUCT DATASHEET

Molly series

last update 12/4/2017

GENERAL INFORMATION

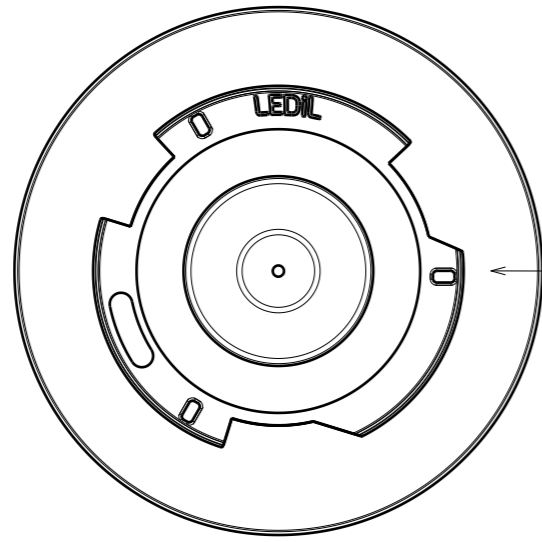
- Product series especially designed & optimized for CLL03x/CLU03x series of LEDs.
- Special care taken to make light distribution as uniform as possible.
- Lens material optical grade PMMA with high UV and temperature resistance. Allows use of high current and temperature conditions.

Please find more information about used material from below:

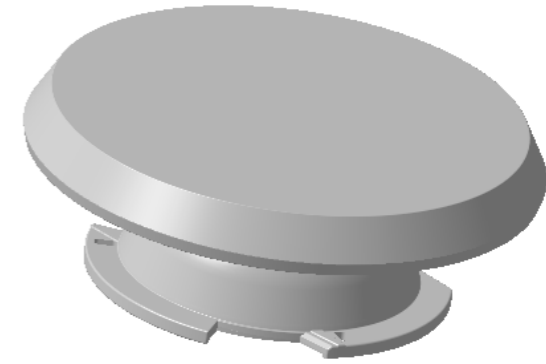
http://ledil.fi/sites/default/files/Documents/Technical/Material/PMMA%20N%20UL94_Yellow%20Card.pdf

<http://ledil.fi/sites/default/files/Documents/Technical/Material/PMMA%20N%20PLEXIGLAS-Datasheet.pdf>

Bottom view
Scale: 1:1

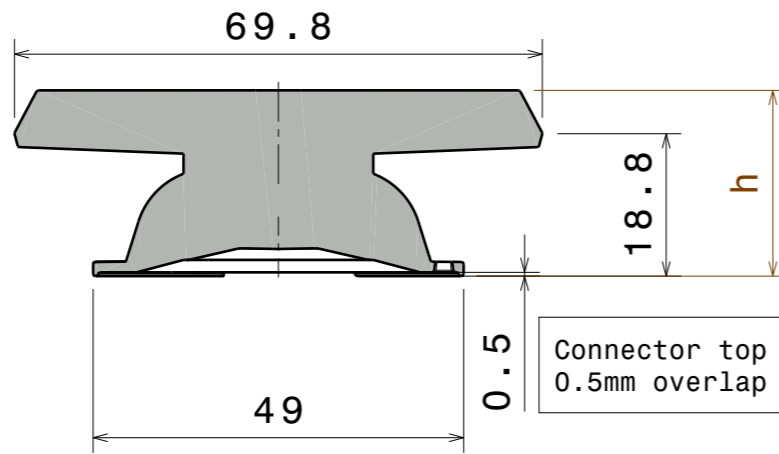


Direct bayonet fit to standard 3-hook connector designs

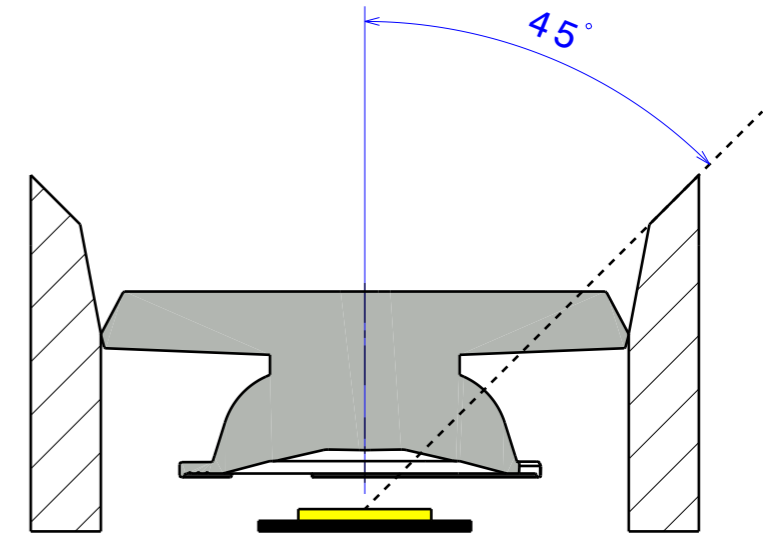


Isometric view
Scale: 1:1

Section view A-A
Scale: 1:1

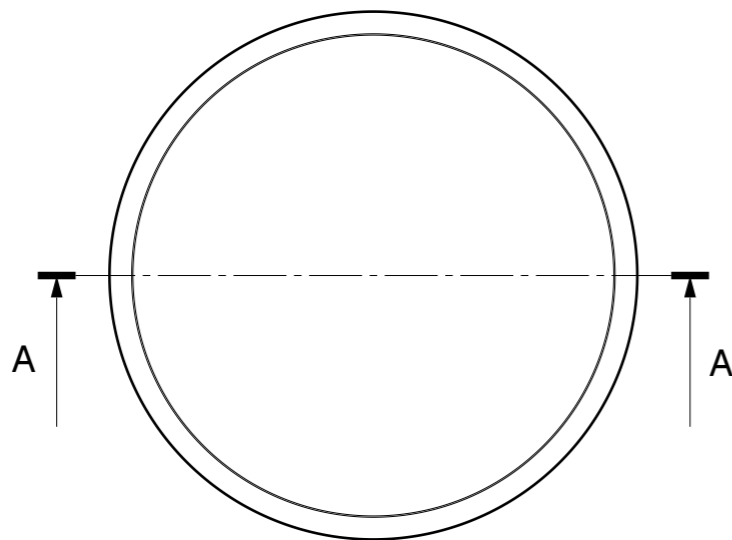


Connector top edges 0.5mm overlap with optic



Typical recessed mounting

Top view
Scale: 1:1



Part no. h

C15800_MOLLY-S	24.8
C15801_MOLLY-M	23.6
C15802_MOLLY-W	22.1

INDEX	PART NO	DESCRIPTION	MATERIAL	COLOUR
1	C15800 C15801 C15802	MOLLY	PMMA	Clear

Tolerances if not otherwise shown
According to DIN ISO 2768-1
Linear measures:
Up to 30mm class F_M, otherwise see class M.
According to DIN ISO 2768-2
Form and position: class K
Control for SPC marked dimensions.



Ledil Oy
Salorankatu 10
FIN 24240 SALO
Finland

THIRD ANGLE PROJECTION:



DRAWING TITLE

MOLLY

This drawing is the property of LEDiL Oy. It may not be reproduced, copied or communicated without a written agreement with LEDiL Oy.

SIZE
A3

PART NUMBER
C15800_ C15801, C15802

SCALE

1:1

WEIGHT

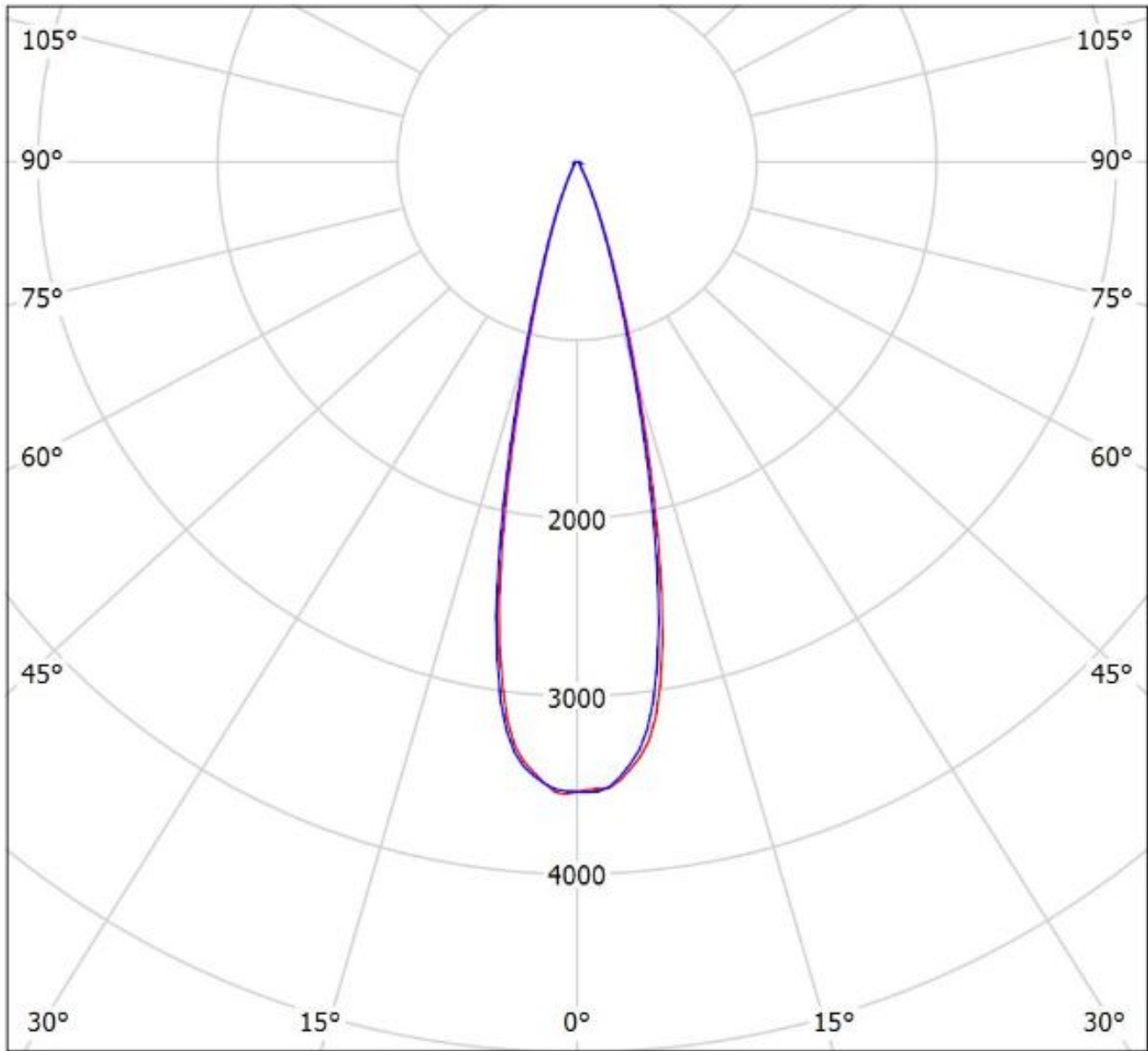
- g

SHEET

1/1

Luminaire: Ledil CN15803_MOLLY-S_(CLU034)

Lamps: 1 x Citizen_CLU034_(CLU034-1205B8-303M1A2)_1164.66lm@250mA_P=8.5215W_I=0.250A+KA15411



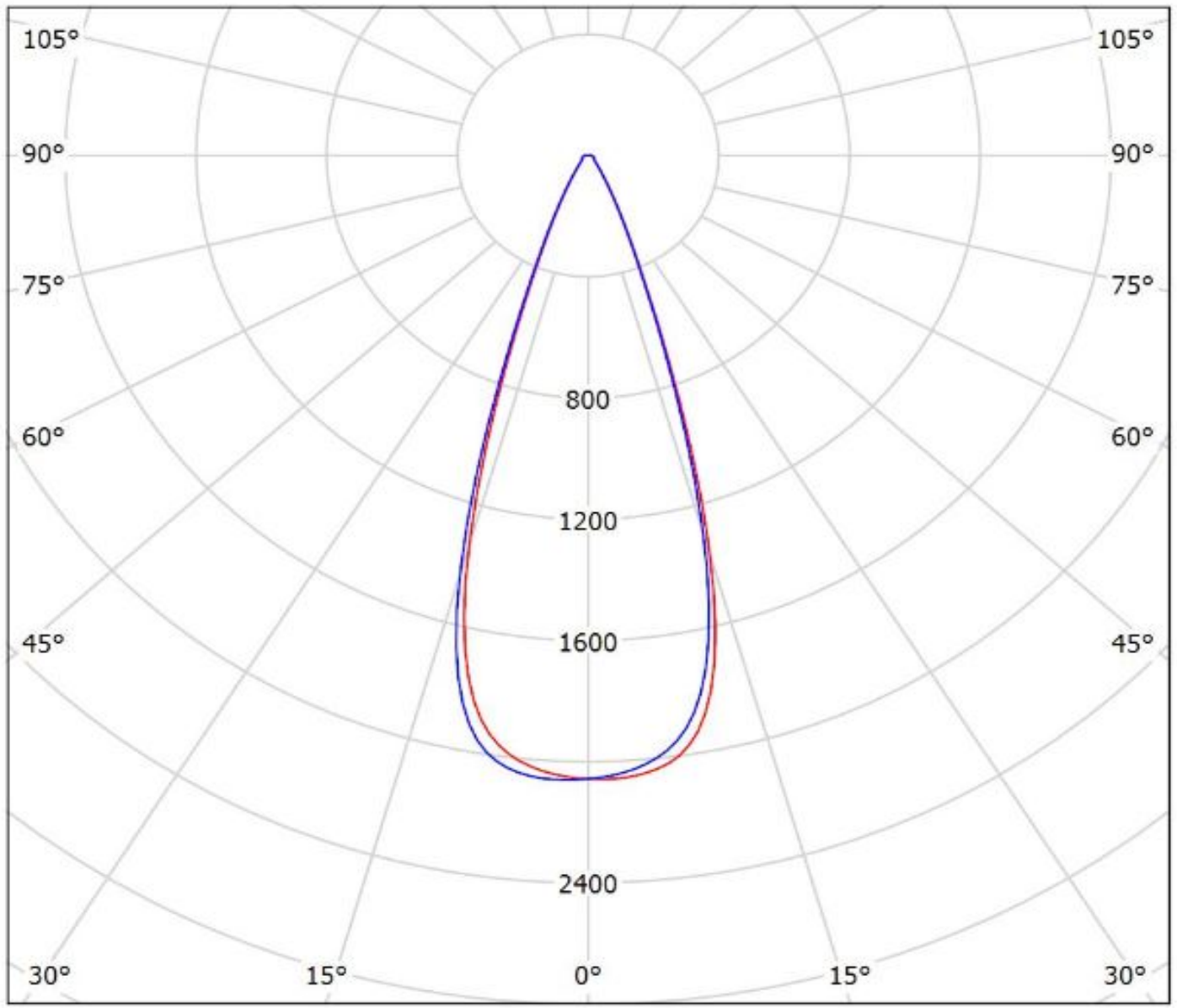
cd/klm

— C0 - C180 — C90 - C270

$\eta = 87\%$

Luminaire: LEDiL Oy CN15804_MOLLY-M_(CLU034)

Lamps: 1 x Citizen_CLU034_(CLU034-1205B8-303M1A2)_1144.11lm@250mA_P=8.46472W_I=0.25A



cd/klm

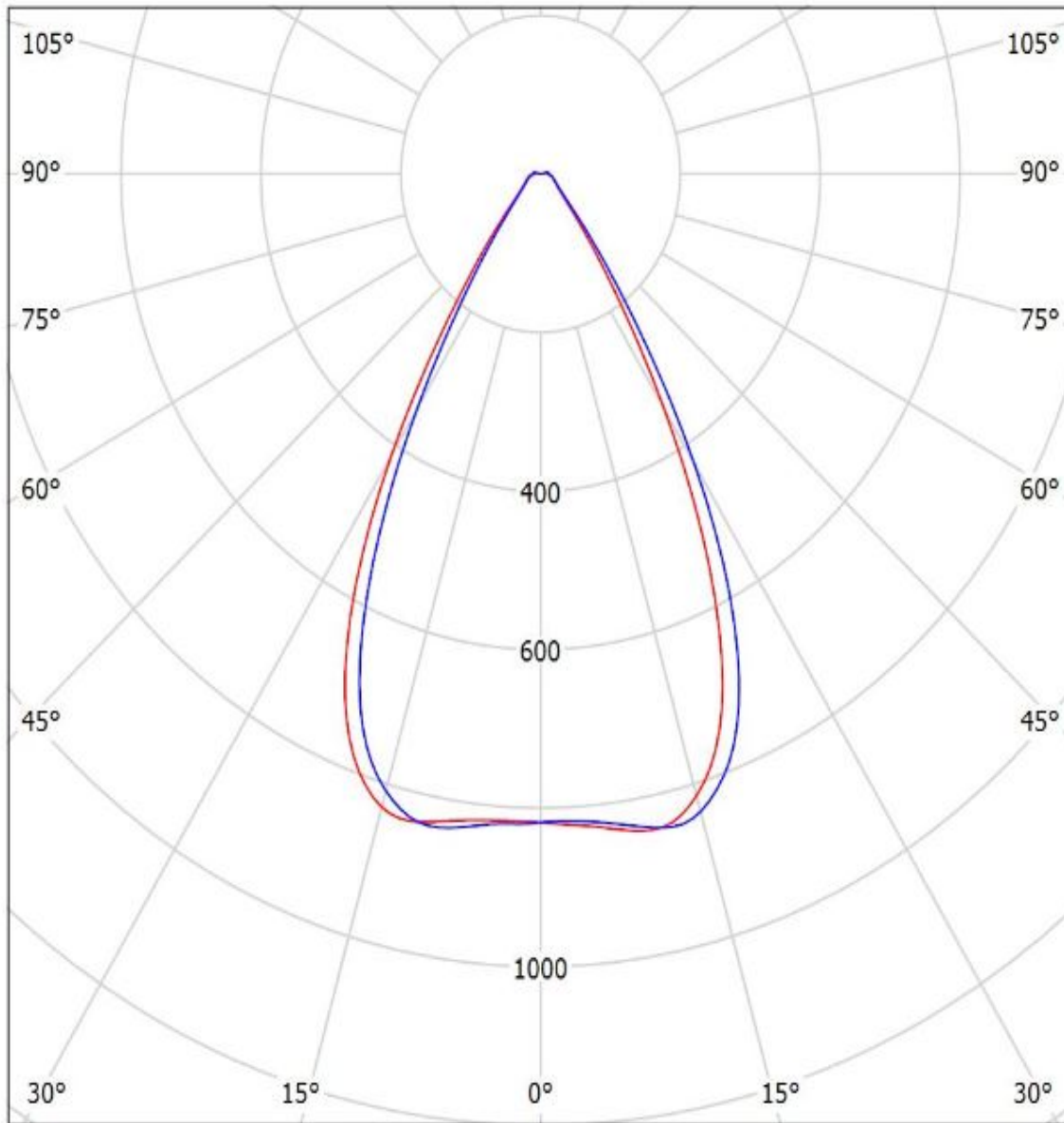
— C0 - C180

— C90 - C270

$\eta = 89\%$

Luminaire: LEDiL Oy CN15805_MOLLY-W_(CLU036)

Lamps: 1 x Citizen_CLU036_(CLU036-1208C1-303M2G2)+KA15411_1247.79lm@250mA_CCT=3000K_P=8.21642W_I=0.250A



cd/klm

— C0 - C180 — C90 - C270

$\eta = 89\%$