

## DETAILS

<b>Product Number</b>	CA10716_BOOM-S
<b>Family</b>	Boom
<b>Type</b>	RefAssy
<b>Color</b>	metal
<b>Diameter</b>	22,2 mm
<b>Height</b>	13,74 mm
<b>Style</b>	hexag
<b>Optic Material</b>	
<b>Holder Material</b>	
<b>Fastening</b>	tape
<b>Status</b>	production ready
<b>ROHS Compliant</b>	Yes
<b>Date Updated</b>	30/05/2016

## OPTICAL PROPERTIES

LED	Viewing Angle	Light Beam	Efficiency	cd/lm	Connector
MC-E	20 deg	Spot	-	4.120	-
XR-E	10 deg	Spot	-	-	-

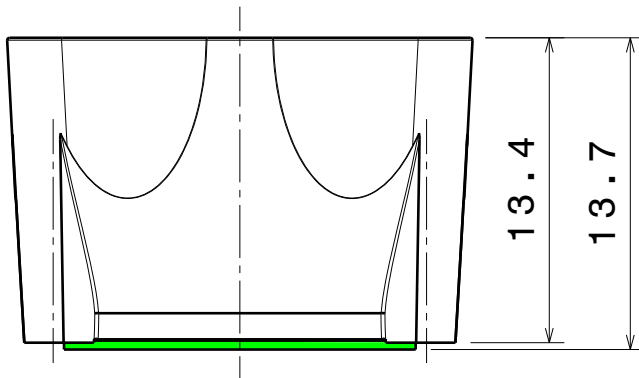
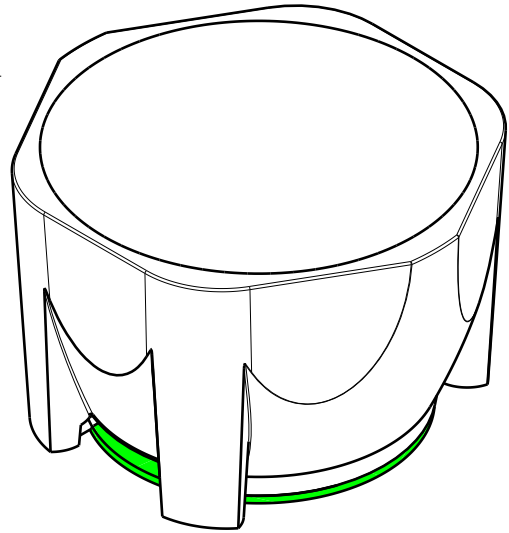
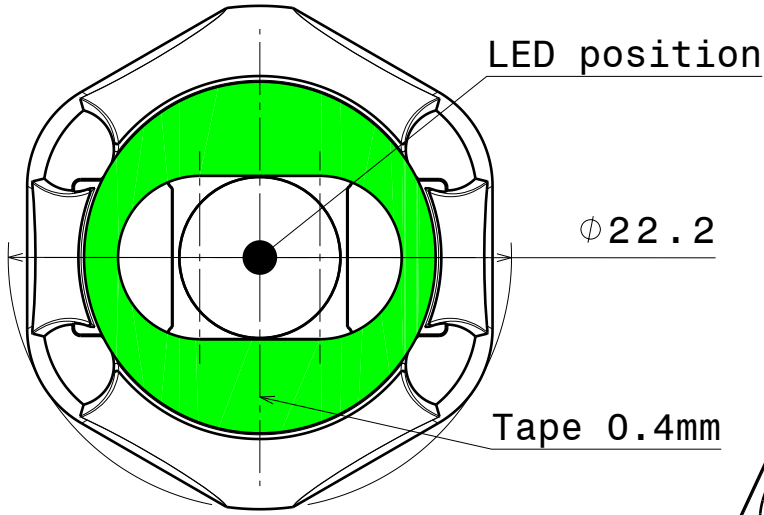


D

C

B

A



Isometric view  
Scale: 3:1

Tolerances if not otherwise shown  
According to DIN ISO 2768-1  
Linear measures:  
Up to 30mm class M, otherwise class C.  
According to DIN ISO 2768-2  
Form and position: class L

**LEDiL** LediL Oy  
Salorankatu 10  
FIN 24240 SALO  
Finland

THIRD ANGLE PROJECTION:

DRAWING TITLE  
**CA10716\_BOOM-S**

This drawing is the property  
of LEDiL Oy. It may not be  
reproduced, copied or  
communicated without a written  
agreement with LEDiL Oy."

SIZE	PART NUMBER
<b>A4</b>	<b>CA10716</b>

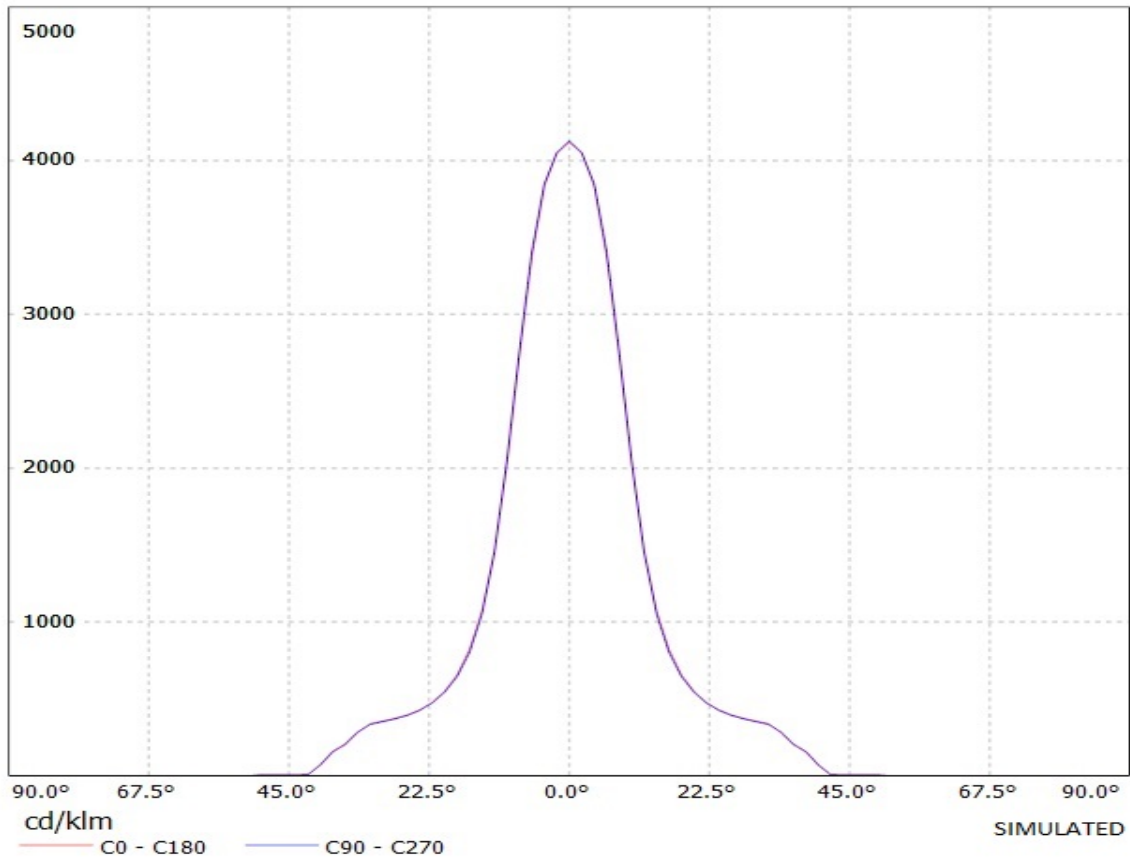
SCALE	3:1	WEIGHT	-	SHEET	1/1
-------	-----	--------	---	-------	-----

D

A

# Ledil Oy CA10716\_Boom-MC-S CA10716\_Boom-MC-S / LDC (Linear)

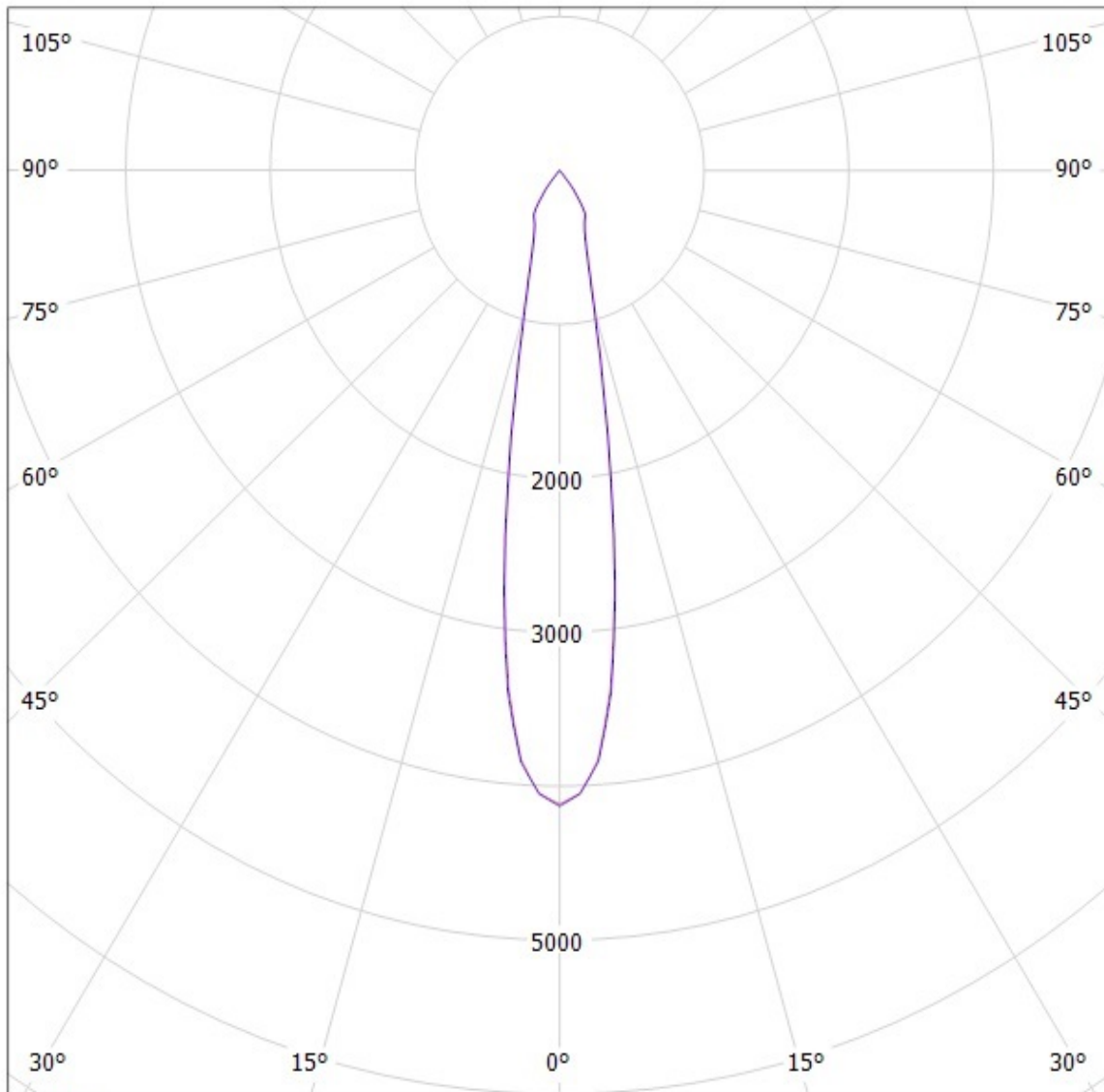
Luminaire: Ledil Oy CA10716\_Boom-MC-S CA10716\_Boom-MC-S  
Lamps: 1 x Cree MC-E (white)



# Ledil Oy CA10716\_Boom-MC-S CA10716\_Boom-MC-S / LDC (Polar

Luminaire: Ledil Oy CA10716\_Boom-MC-S CA10716\_Boom-MC-S

Lamps: 1 x Cree MC-E (white)



cd/klm

— C0 - C180 — C90 - C270

SIMULATED

**NOTE: The typical divergence will be changed by different color, chip size and chip position tolerance. The typical total divergence is the full angle measured where the luminous intensity is half of the peak value.**