

4

3

2

1

THIS DRAWING IS UNPUBLISHED.

RELEASED FOR PUBLICATION

© COPYRIGHT - new logo 2011

ALL RIGHTS RESERVED.

| LOC | DIST | REVISIONS | | | | | |
|-----|------|-----------|-----|---------------------------|-----------|-----|------|
| | | P | LTR | DESCRIPTION | DATE | DWN | APVD |
| H | - | | E | CHANGES PER ECR-11-005299 | 14MAR2011 | PP | JK |
| | | | F | CHANGES PER ECR-11-006548 | 21OCT2011 | PP | JK |
| | | | G | CHANGES PER ECR-12-004118 | 02MAR2012 | PP | JK |

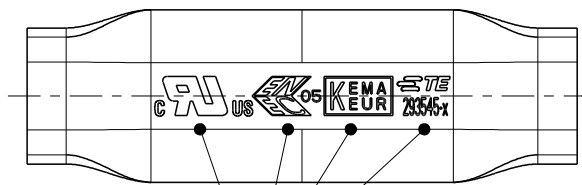
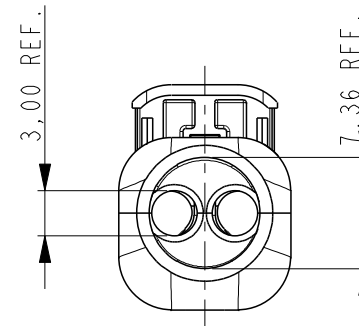
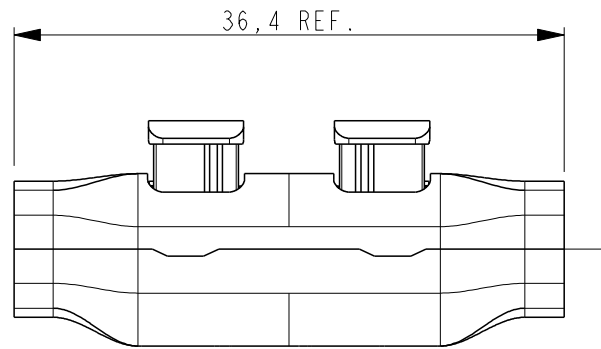
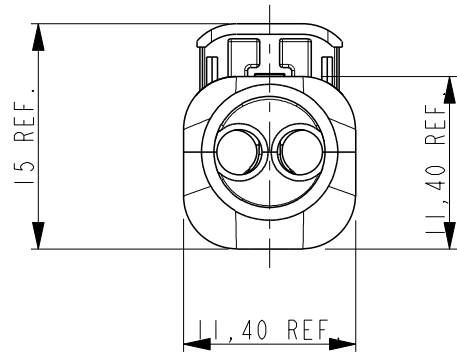
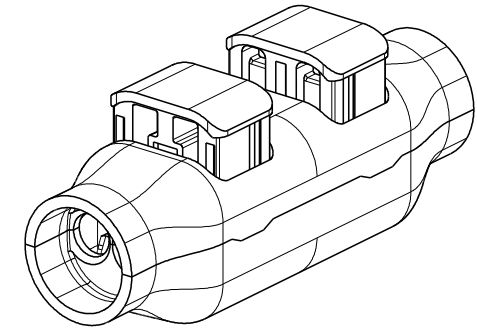
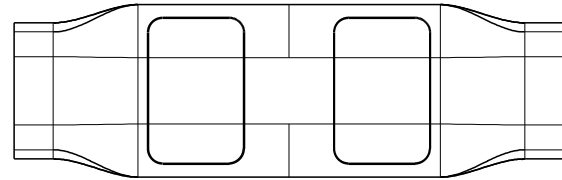
NOTES:
 1 CONNECTOR ACCEPT MULTIPLE WIRES SIZES: SEE TABLE.

2 HOUSING AND BUTTON MATERIAL : POLYCARBONATE

3 IDC CONTACT MATERIAL: PhBR

4 PRINTING LOGO'S: P/N 293545-1 and -2: UL, ENEC, KEMA, PARTNUMBER, TE.

5 PRINTING LOGO'S: P/N 293545-3 and -4: UL, PARTNUMBER, TE.



SEE NOTE 4 & 5

| HOUSING COLOR | PARTNUMBER | DESCRIPTION | CABLE SIZE |
|------------------------|------------|-------------------------------|---|
| YELLOW TRANSPARENT | 293545-4 | 5 SPlicing CONNECTOR SEALED | AWG 20 (0.52mm ²) / AWG 22 (0.33mm ²) |
| | 293545-3 | 5 SPlicing CONNECTOR UNSEALED | AWG 20 (0.52mm ²) / AWG 22 (0.33mm ²) |
| NATURAL TRANSPARENT | 293545-2 | 4 SPlicing CONNECTOR SEALED | AWG 18 (0.82mm ²) TO 1mm ² |
| | 293545-1 | 4 SPlicing CONNECTOR UNSEALED | AWG 18 (0.82mm ²) TO 1mm ² |

| | | | | | | |
|--|--|---------------------------------|--------------|--------------------|----------------------------|--------------------|
| THIS DRAWING IS A CONTROLLED DOCUMENT. | | DWN J.v.d.Krogt 04MAR2010 | | | | |
| DIMENSIONS: mm | | CHK J.v.d.Krogt 04MAR2010 | | | NAME SPLICING CONNECTOR | |
| | | APVD O.Leijnse 06MAR2010 | | | PRODUCT SPEC 108-19419 | |
| TOLERANCES UNLESS OTHERWISE SPECIFIED: | | APPLICATION SPEC 114-19136 | SIZE A3 | CAGE CODE 00779 | DRAWING NO C-293545 | RESTRICTED TO - |
| MATERIAL SEE NOTES | | FINISH SEE NOTES | SCALE 2:1 | | SHEET 1 OF 1 | REV G |
| CUSTOMER DRAWING | | | | | | |