

10 9 8 7 6 5 4 3 2 1

F

E

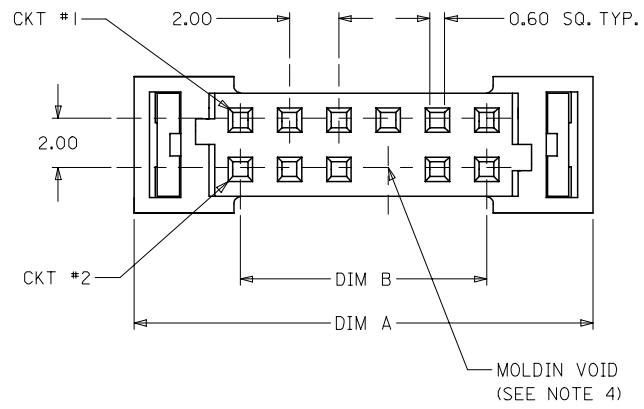
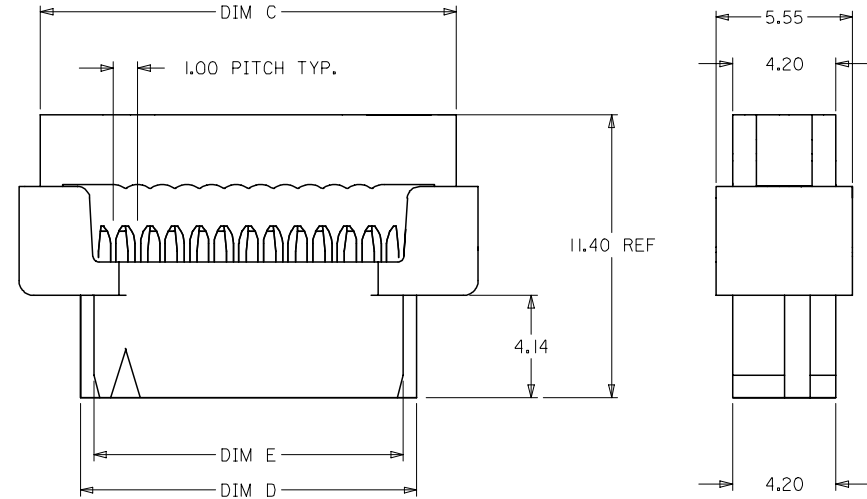
D

C

B

A

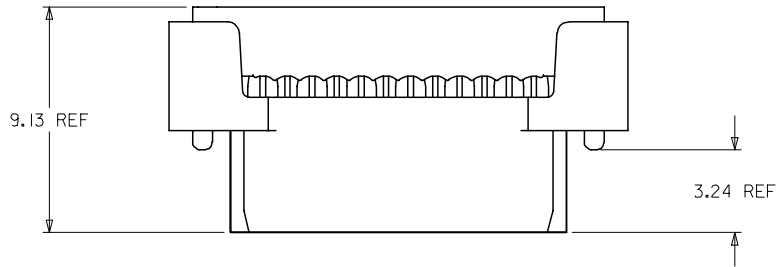
1. MATERIALS:
HOUSING - THERMOPLASTIC, UL94V-0 BLACK
TERMINAL - COPPER ALLOY
2. FINISHES
PLATING 3 - 15µin (0.38µm) SELECTIVE GOLD IN CONTACT AREA AND 75 µin (1.88µm) TIN IN IDT AREA OVER 50µin (1.25µm) NICKEL OVERALL
PLATING 4 - 30µin (0.76µm) SELECTIVE GOLD IN CONTACT AREA AND 75 µin (1.88µm) TIN IN IDT AREA OVER 50µin (1.25µm) NICKEL OVERALL
3. PRODUCT SPEC PS-87568-004 APPLIES
4. FOR ILLUSTRATION, CKT I2 IS SHOWN WITH MOLDIN VOID. TERMINALS FULLY LOADED. SEE TABLE FOR MOLDIN CONFIGURATION
5. PART MATES WITH ALL MILLIGRID HEADERS WITH MATING LENGTH BETWEEN 2.50mm AND 4.20mm
6. PART IS DESIGNED FOR 1.00mm PITCH FLAT CABLE, 7 STRANDS, AWG #28, UL2651 AND UL2678



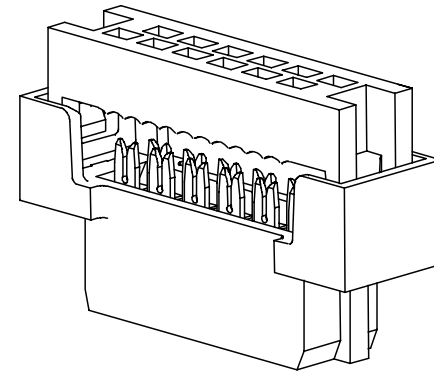
OBS TIN/LEAD P/N EC NO: S2006-0732 DRAWN: LONG CHKD: NAGESHKN APPR: PTLIM	2006/04/03 2006/04/04 2006/04/06	REV	DESCRIPTION	QUALITY SYMBOLS	GENERAL TOLERANCES (UNLESS SPECIFIED)	DIMENSION STYLE		SCALE NTS	DESIGN UNITS METRIC	THIRD ANGLE PROJECTION			
				▽=0 ▽C=0		mm	INCH						
						4 PLACES ± ---	± ---				DRAWN BY JAMES	DATE 1998/06/23	TITLE MGRID 2MM DUAL ROW IDT WITH MOLDIN VOID
						3 PLACES ± ---	± ---				CHECKED BY SQUEK	DATE 1998/07/15	
	2 PLACES ± 0.15	± ---	APPROVED BY SKTOH	DATE 1998/07/16	MOLEX INCORPORATED								
	1 PLACE ± ---	± ---	MATERIAL NO.	DOCUMENT NO. SD-87568-005		SHEET NO. 1 OF 2							
					ANGULAR ± 3 °	DRAFT WHERE APPLICABLE MUST REMAIN WITHIN DIMENSIONS		SEE TABLE					
						SIZE A3		THIS DRAWING CONTAINS INFORMATION THAT IS PROPRIETARY TO MOLEX INCORPORATED AND SHOULD NOT BE USED WITHOUT WRITTEN PERMISSION					

9 8 7 6 5 4 3 2 1

ENGINEERING NUMBER	MOLDIN VOID POSITION	PLATING OPTION	CKT. SIZE	A	B	C	D	E
87568-7003	20	3	44	50.65	42.00	48.90	45.65	44.55
87568-7004		4						



CABLE LOADED ASSEMBLY
(12 CKT SHOWN FOR ILLUSTRATION ONLY)



ISO VIEW
(12 CKT SHOWN FOR ILLUSTRATION ONLY)

OBS TIN/LEAD P/N EC NO: S2006-0732 DRWN:MLONG CHKD:NAJESHKN APPR:PTLIM	2006/04/03 2006/04/04 2006/04/06	DESCRIPTION REV	QUALITY SYMBOLS	GENERAL TOLERANCES (UNLESS SPECIFIED)	DIMENSION STYLE		SCALE	DESIGN UNITS	THIRD ANGLE PROJECTION	
			$\nabla=0$ $\triangle=0$		mm	INCH	NTS	METRIC		
			4 PLACES \pm --- \pm --- 3 PLACES \pm --- \pm --- 2 PLACES ± 0.15 \pm --- 1 PLACE \pm --- \pm --- ANGULAR $\pm 3^\circ$		DRAWN BY DATE JAMES 1998/06/23		TITLE MGRID 2MM DUAL ROW IDT WITH MOLDIN VOID			
			DRAFT WHERE APPLICABLE MUST REMAIN WITHIN DIMENSIONS		CHECKED BY DATE SQUEK 1998/07/15		APPROVED BY DATE SKTOH 1998/07/16			
					SEE TABLE	DOCUMENT NO. SD-87568-005		SHEET NO. 2 OF 2		
				MOLEX INCORPORATED						
THIS DRAWING CONTAINS INFORMATION THAT IS PROPRIETARY TO MOLEX INCORPORATED AND SHOULD NOT BE USED WITHOUT WRITTEN PERMISSION										