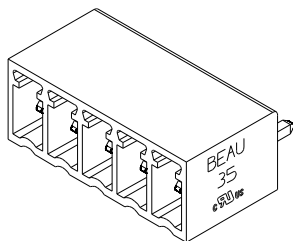
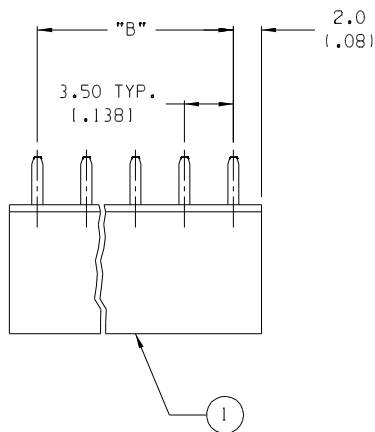
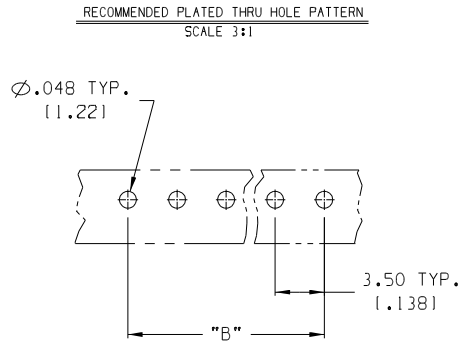
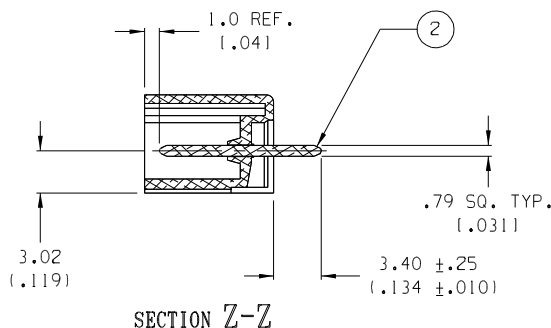
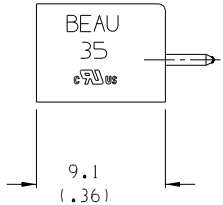
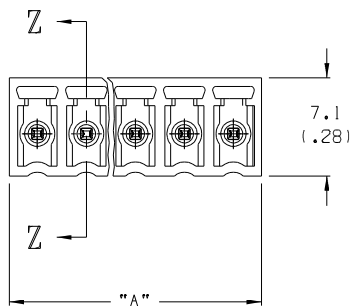


NUMBER OF CIRCUITS "XX"	DIM. "B"	DIM. "A" ±.13 (1.010)	BLUE MATERIAL NO.	ORANGE MATERIAL NO.	GREEN MATERIAL NO.	BLACK MATERIAL NO.	BLACK (GOLD OPT) MATERIAL NO.
02	3.50 (.138)	7.51 (.296)	393533002	393532002	393531002	393530002	393530102
03	7.00 (.276)	11.01 (.433)	393533003	393532003	393531003	393530003	393530103
04	10.50 (.413)	14.51 (.571)	393533004	393532004	393531004	393530004	393530104
05	14.00 (.551)	18.01 (.709)	393533005	393532005	393531005	393530005	393530105
06	17.50 (.689)	21.51 (.847)	393533006	393532006	393531006	393530006	393530106
07	21.00 (.827)	25.01 (.985)	393533007	393532007	393531007	393530007	393530107
08	24.50 (.965)	28.51 (1.122)	393533008	393532008	393531008	393530008	393530108
09	28.00 (1.102)	32.01 (1.260)	393533009	393532009	393531009	393530009	393530109
10	31.50 (1.240)	35.51 (1.398)	393533010	393532010	393531010	393530010	393530110
11	35.00 (1.378)	39.01 (1.536)	393533011	393532011	393531011	393530011	393530111
12	38.50 (1.516)	42.51 (1.674)	393533012	393532012	393531012	393530012	393530112
13	42.00 (1.654)	46.01 (1.811)	393533013	393532013	393531013	393530013	393530113
14	45.50 (1.791)	49.51 (1.949)	393533014	393532014	393531014	393530014	393530114
15	49.00 (1.929)	53.01 (2.087)	393533015	393532015	393531015	393530015	393530115
16	52.50 (2.067)	56.51 (2.225)	393533016	393532016	393531016	393530016	393530116
17	56.00 (2.205)	60.01 (2.363)	393533017	393532017	393531017	393530017	393530117
18	59.50 (2.343)	63.51 (2.500)	393533018	393532018	393531018	393530018	393530118
19	63.00 (2.480)	67.01 (2.638)	393533019	393532019	393531019	393530019	393530119
20	66.50 (2.618)	70.51 (2.776)	393533020	393532020	393531020	393530020	393530120



5 CIRCUIT SHOWN



- NOTES:
1. MATERIAL: SEE TABLE
 2. FINISHES: SEE TABLE
 3. PRODUCT SPECIFICATION: NOT REQUIRED
 4. PACKAGING: NOT REQUIRED
 5. MATES WITH: 35 SERIES PLUG.
 6. ALL FEATURES ARE TYPICAL UNLESS OTHERWISE NOTED.

ITEM	QTY.	DESCRIPTION	MATERIAL	FINISH
2	XX	STRAIGHT PIN	BRASS C 26000	BRT.TIN/CU GOLD PLATED
1	1	HEADER	POLYAMIDE 4/6	SEE CHART

EC NO. 3972 DRAWN: CY 12-29-04 CH:K1 APPR:	DESCRIPTION MAJOR CRITICAL C	GENERAL TOLERANCES: (UNLESS SPECIFIED)		SCALE 3:1	DESIGN UNITS <input type="checkbox"/> mm <input checked="" type="checkbox"/> INCH	THIRD ANGLE PROJECTION	PROJECT NO. E-602	SHT	REV		
		4 PLACES ±.0015		DRAWN BY & DATE R.STONE 9-17-01	DIMENSIONS: <input checked="" type="checkbox"/> mm <input type="checkbox"/> INCH <input type="checkbox"/> mm ONLY				TITLE: 3.5mm HEADER ASSEMBLY (NO MTG.ENDS)		
		3 PLACES ±.038 ±.005		CHECKED BY & DATE R.KEMP 1-4-02	MOLEX INCORPORATED						
		2 PLACES ±.13 ±.01		APPROVED BY & DATE L.ROTHAUS 1-5-02	MATERIAL NO. SEE CHART	DRAWING NO. SD-39353-001	SHEET NO. 1 OF 1	THIS DRAWING CONTAINS INFORMATION THAT IS PROPRIETARY TO MOLEX INCORPORATED AND SHOULD NOT BE USED WITHOUT WRITTEN PERMISSION.			
1 PLACE ±.3		ANGULAR: ±2°	CAD FILENAME 3516XX	SIZE B							