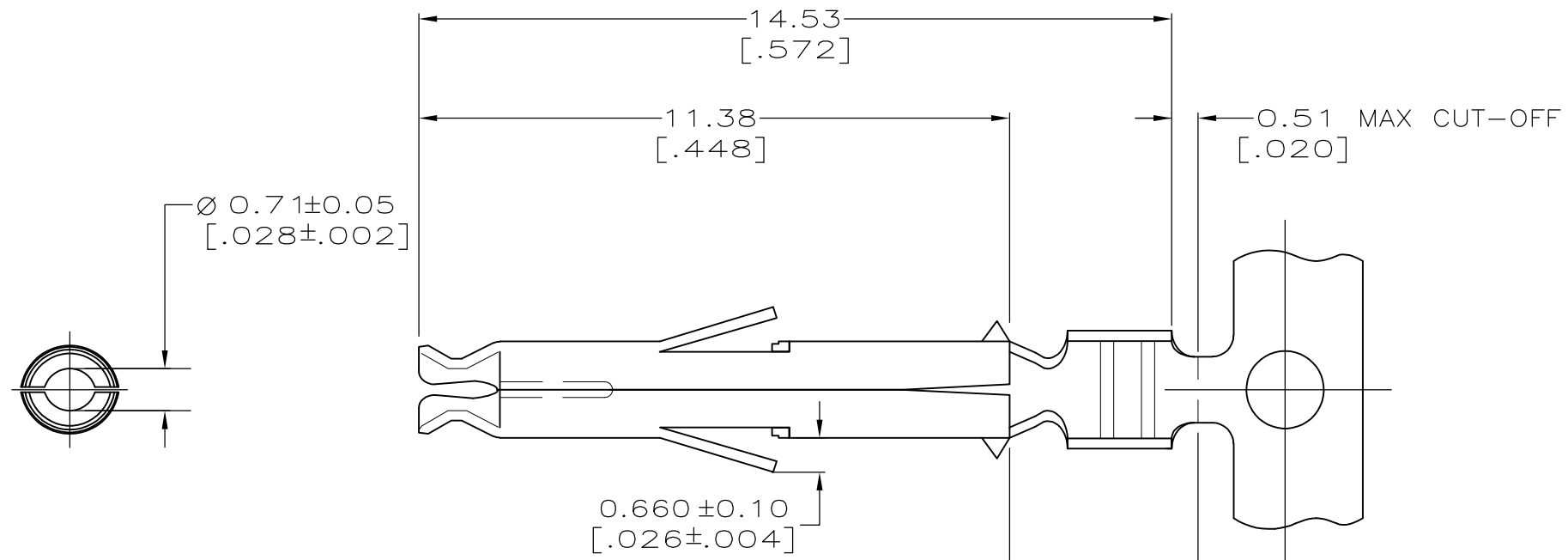
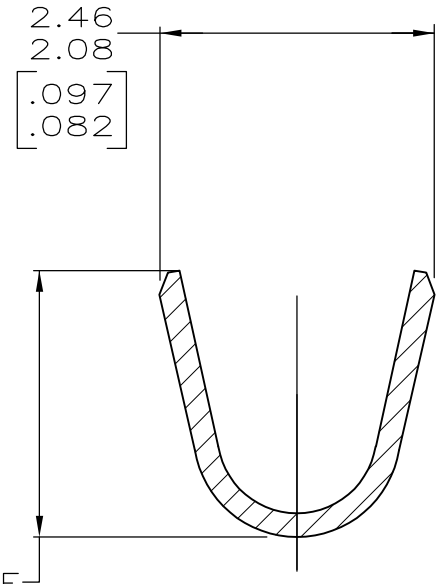


THIS DRAWING IS UNPUBLISHED. RELEASED FOR PUBLICATION
 © COPYRIGHT - By - ALL RIGHTS RESERVED.

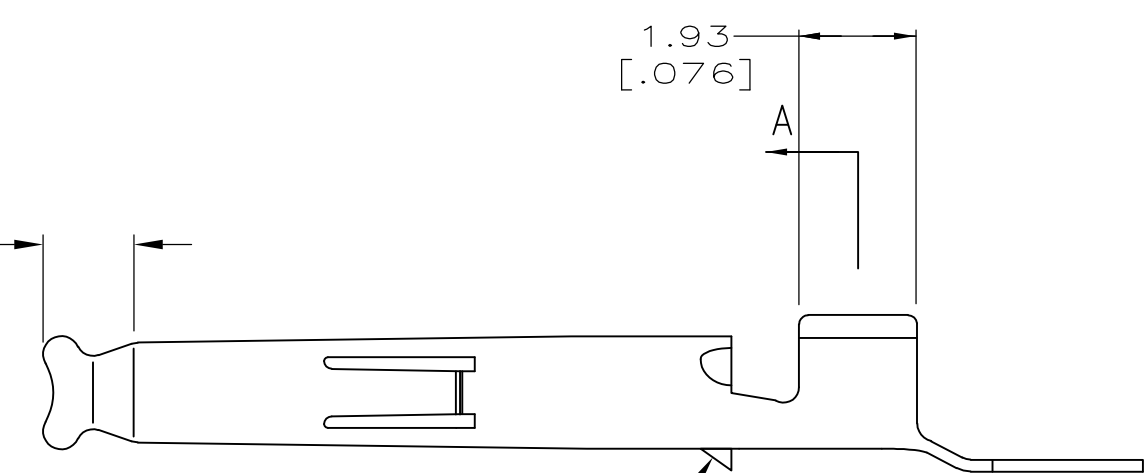
LOC	DIST	REVISIONS			
P	LTR	DESCRIPTION	DATE	DWN	APVD
CM	00	E	ECO-13-000901	08MAR2013	MGT R.P



- 1 WIRE RANGE: 0.3 – 0.9MM² (22–18 AWG).
- 2 INSULATION RANGE: 1.50–2.40 [.060–.094] DIA.
- 3 DIMENSIONS IN BRACKETS ARE IN INCHES.
- 4 BOTTOM CONTACT STOP IS OPTIONAL CONSTRUCTION.
- 5 0.000762 [.000030] MIN GOLD IN LOCALIZED GOLD PLATE AREA AND 0.00254 [.000100] MIN BRIGHT TIN LOCALIZED TIN PLATE AREA OVER 0.00127 [.000050] MIN NICKEL.



5
1.50
[.059]
LOCALIZED
GOLD AREA



FINISH	MATERIAL	PART NO
5	0.20 [.008] BRASS	794831-3
NONE	0.20 [.008] BRASS	794831-2
PRE-TIN	0.20 [.008] BRASS	794831-1

METRIC

THIS DRAWING IS A CONTROLLED DOCUMENT.

DWN K. WHITAKER 20FEB2004	TE Connectivity NAME SOCKET, MINI UNIVERSAL MATE-N-LOK(TM)	SIZE	CAGE CODE	DRAWING NO	RESTRICTED TO
CHK C. JONES 20FEB04		A3	00779	C-794831	-
APVD C. JONES 20FEB04		CUSTOMER DRAWING			
PRODUCT SPEC - APPLICATION SPEC - WEIGHT -		SCALE 8:1	SHEET 1 OF 1	REV E	

TOLERANCES UNLESS OTHERWISE SPECIFIED:

0 PLC	± -
1 PLC	± -
2 PLC	± 0.13 [.005]
3 PLC	± -
4 PLC	± -
ANGLES	± 0°30'

MATERIAL: - FINISH: -