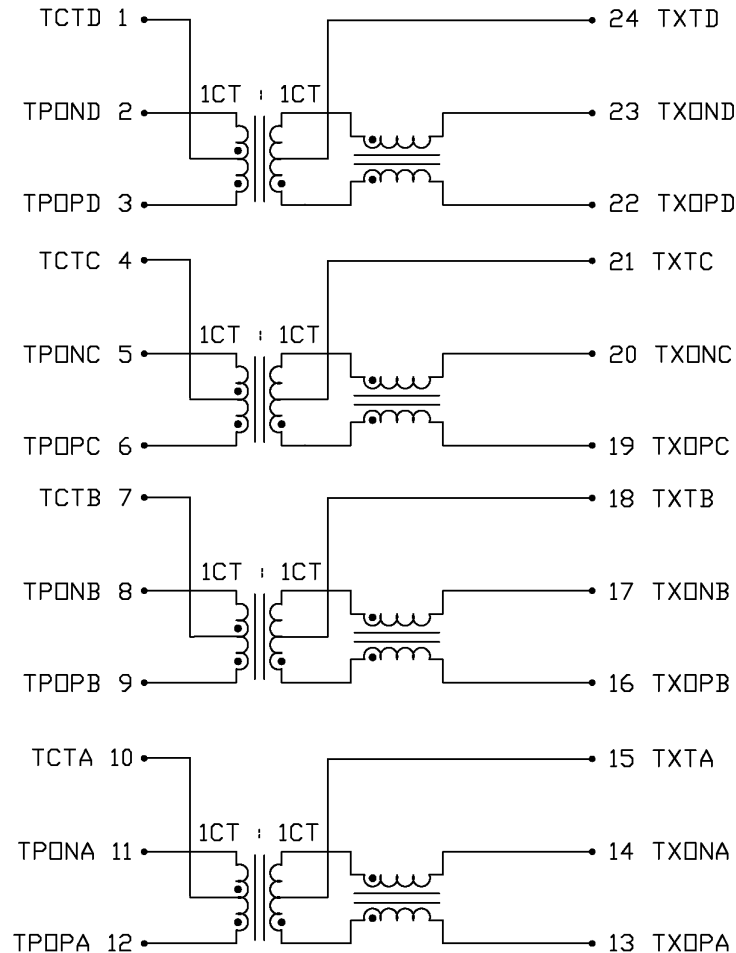


THE INFORMATION CONTAINED HEREIN IS CONSIDERED "PROPRIETARY" TO BEL FUSE INC. AND SHALL NOT BE COPIED, REPRODUCED OR DISCLOSED WITHOUT THE WRITTEN APPROVAL OF BEL FUSE INC.



SCHEMATIC



ELECTRICAL CHARACTERISTICS @ 25°C

URNS RATIO

PIN(3-1-2) : (22-24-23) 1CT : 1CT  
 PIN(6-4-5) : (19-21-20) 1CT : 1CT  
 PIN(9-7-8) : (16-18-17) 1CT : 1CT  
 PIN(12-10-11) : (13-15-14) 1CT : 1CT

OCL

350μH MIN. @ 100kHz, 100mV  
 WITH 8mA DC BIAS

INSERTION LOSS

1.1dB MAX. @ 0.1 TO 1MHz  
 0.5dB MAX. @ 1 TO 65MHz  
 1.0dB MAX. @ 80MHz  
 1.2dB MAX. @ 125MHz

RETURN LOSS

UNDER 100 OHMS±15% ENVIRONMENT

18dB MIN. @ 0.5 TO 40 MHz  
 12-20LOG (f/80MHz) MIN. @  
 40 TO 100 MHz

COMMON TO COMMON REJECTION

30dB MIN. @ 0.1 TO 100 MHz

CROSSTALK

33-20LOG (f/100MHz) dB MIN.  
 @ 1 TO 100MHz

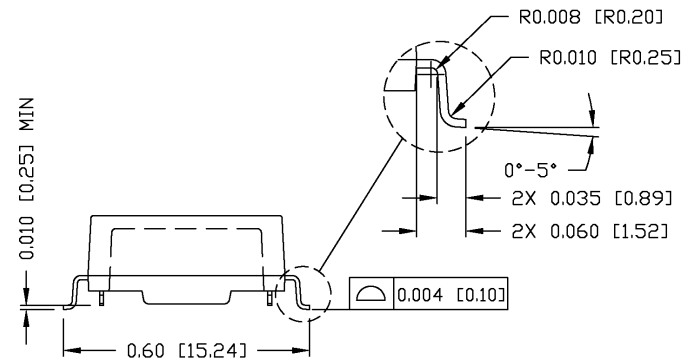
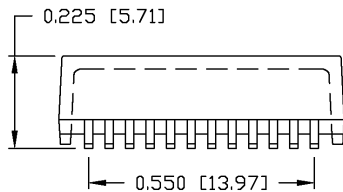
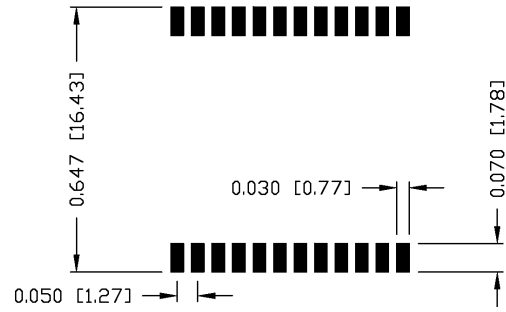
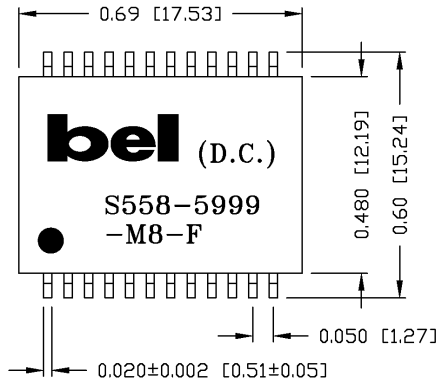
HIPOT

PER HAND-WORK-03

ORIGINATED BY	DATE	TITLE	PART NO. / DRAWING NO.	STANDARD DIM. TOL. IN INCH	[ ] METRIC DIM. AS REFERENCE	 COMPONENTS FOR A CONNECTED PLANET
HQ	12-01-05	ELECTRICAL SPECIFICATION	X5585999M8-F	.X	UNIT : INCH [mm] REV. : A	
DRAWN BY	DATE	S558-5999-M8-F	FILE NAME	.XX	SCALE : N/A SIZE : A4	
DQ Chen	12-01-05		X5585999M8FA.DWG	.XXX	PAGE : 2	

THE INFORMATION CONTAINED HEREIN IS CONSIDERED "PROPRIETARY" TO BEL FUSE INC. AND SHALL NOT BE COPIED, REPRODUCED OR DISCLOSED WITHOUT THE WRITTEN APPROVAL OF BEL FUSE INC.

SUGGESTED PCB PAD LAYOUT



NOTES:

- STANDARD MARKING REFER TO DOC. HAND-WORK-04.
- PACKAGE CODE: "RQS001".

ORIGINATED BY	DATE	TITLE	PART NO. / DRAWING NO.	STANDARD DIM. TOL. IN INCH	[ ] METRIC DIM. AS REFERENCE	 COMPONENTS OF A CONNECTED PLANET	
Lawrence	12-01-05	MECHANICAL DRAWING S558-5999-M8-F	X5585999M8-F	.X	UNIT : INCH [mm]		REV. : A
DRAWN BY	DATE		FILE NAME	.XX ±0.01	SCALE : N/A		SIZE : A4
DQ Chen	12-01-05	X5585999M8FA.DWG	.XXX ±0.005	0.004 [0.10]	PAGE : 3		