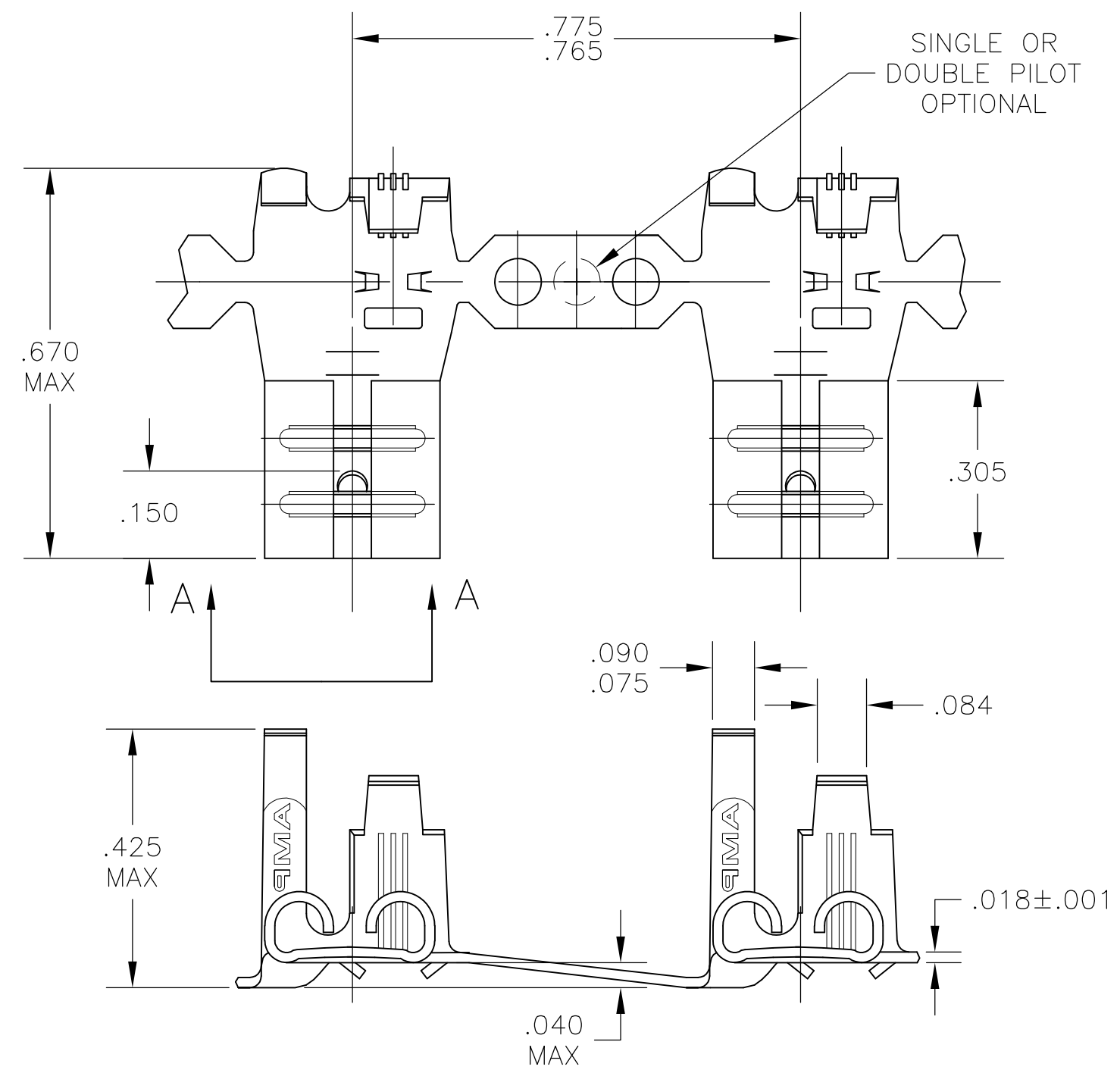


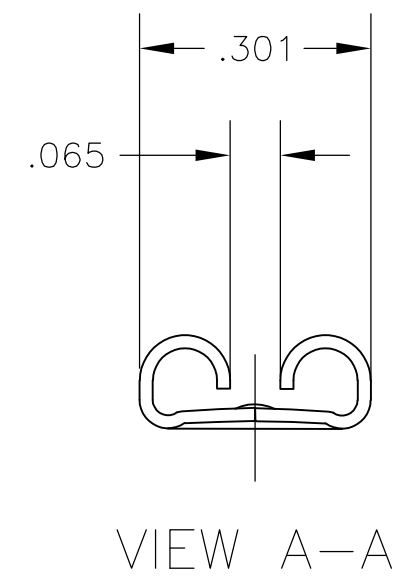
THIS DRAWING IS UNPUBLISHED. RELEASED FOR PUBLICATION
 © COPYRIGHT - By - ALL RIGHTS RESERVED.

LOC	DIST	REVISIONS			
P	LTR	DESCRIPTION	DATE	DWN	APVD
AF	50	E	REVISED PER ECR-12-013459	29NOV2012	KH PD



SINGLE OR
DOUBLE PILOT
OPTIONAL

- 1 CONTINUOUS STRIP ON REELS
- 2 MATING TAB THK IS $.032 \pm .001$.
- 3 WIRE SIZE IS #18-#12 AWG
- 4 INSULATION RANGE IS $.110-.210$ DIA.



61156-1
PART NO.

THIS DRAWING IS A CONTROLLED DOCUMENT.		DWN	JR RUTH	18OCT02	 TE Connectivity	NAME		RECEPTACLE, FLAG, FASTON, .250 SERIES		
DIMENSIONS: INCHES		CHK	P DESANTIS	18OCT02		PRODUCT SPEC		SIZE	CAGE CODE	DRAWING NO
		APVD	P DESANTIS	18OCT02		APPLICATION SPEC		—	—	—
TOLERANCES UNLESS OTHERWISE SPECIFIED:						RESTRICTED TO		—		
MATERIAL		FINISH			WEIGHT		A3 00779		C-61156	
BRASS		SILVER			—		CUSTOMER DRAWING		SCALE 4:1	
							SHEET 1 OF 1		REV E	