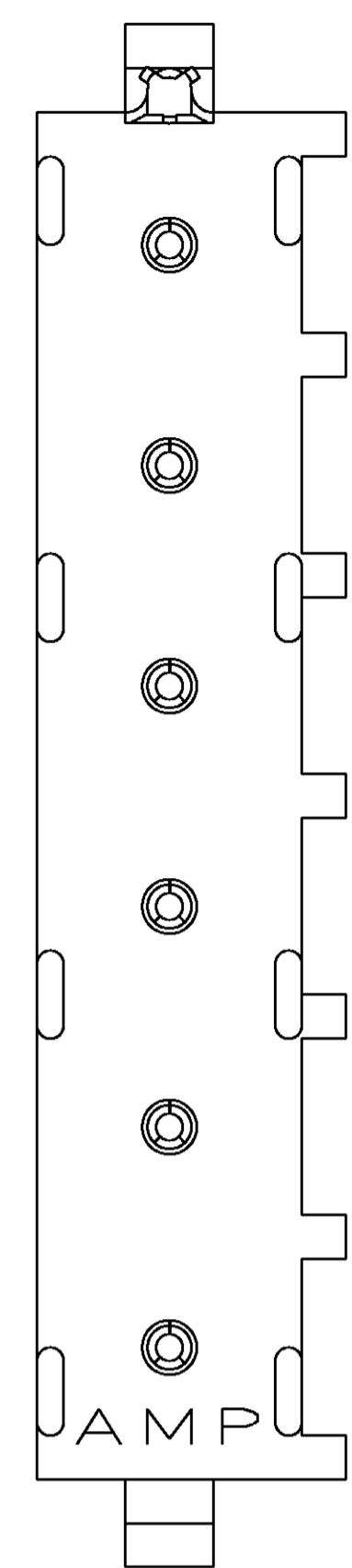
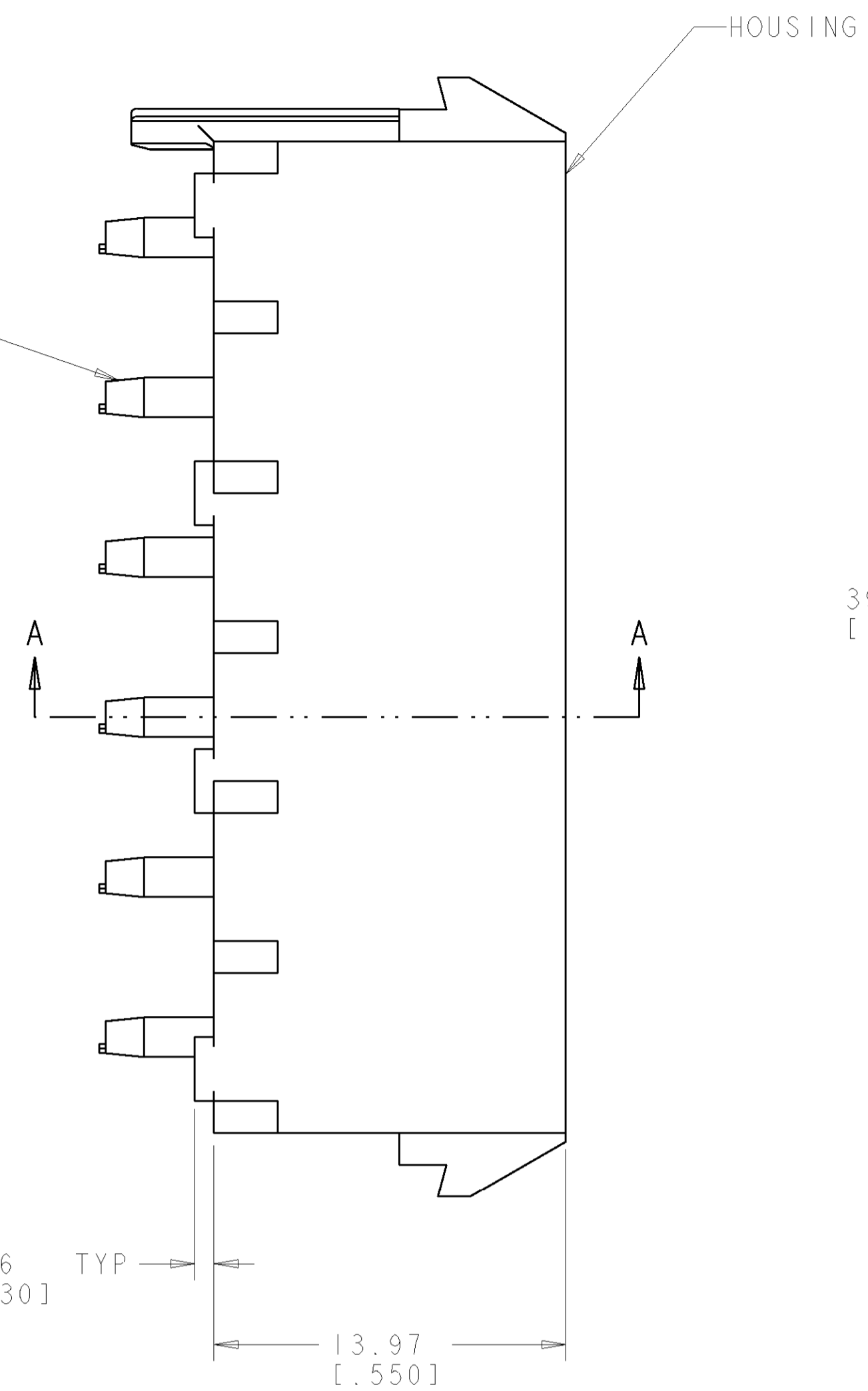


LOC	QTY	REV	DESCRIPTION	DATE	DWN	APVD
CM	00	0	REVISED PER 0638-0087-04	27APR04	KW	SR



CONTACT  
6 REQ'D

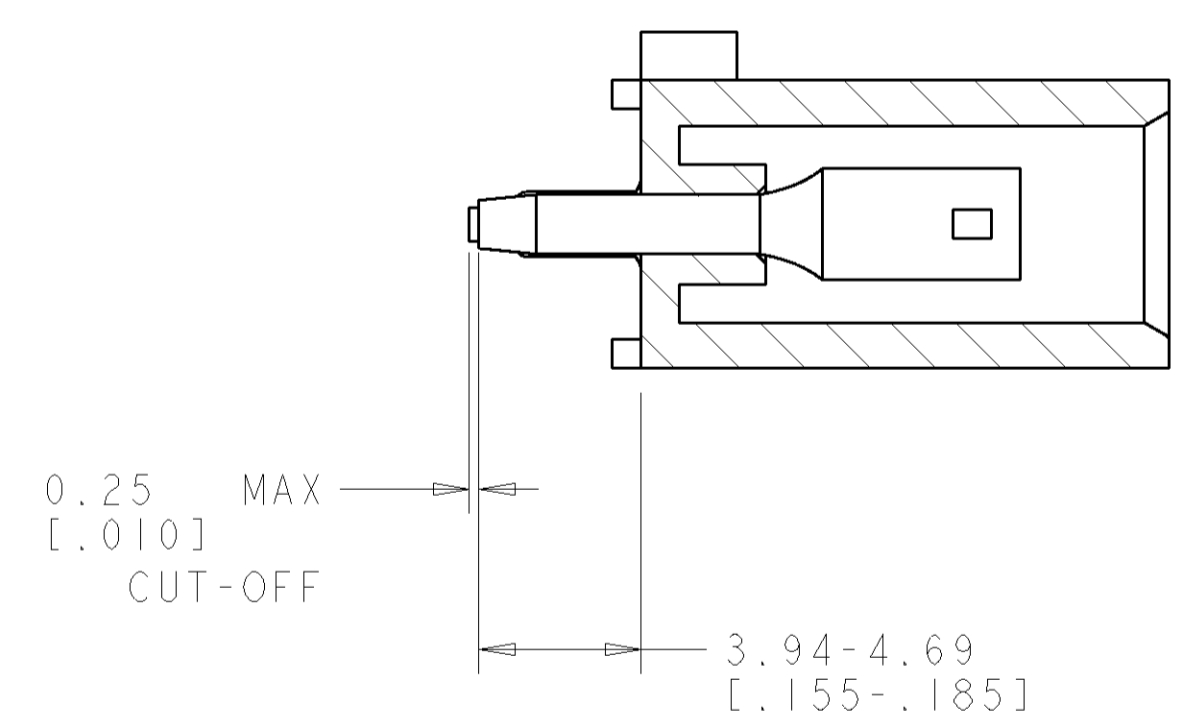


0.76 TYP  
[.030]

13.97  
[.550]

39.37  
[1.550]

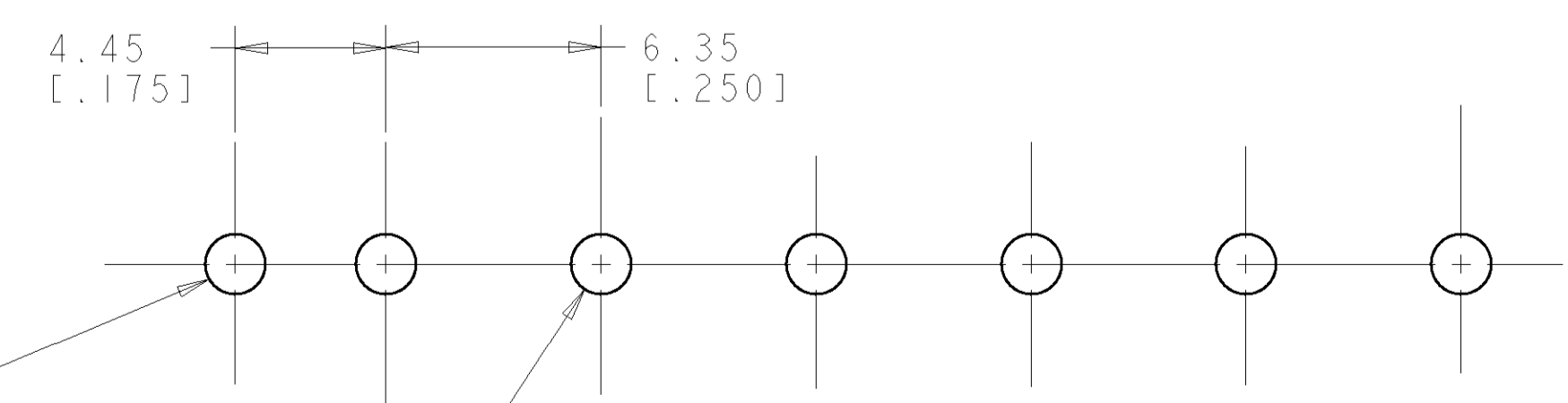
7.62  
[.300]



0.25 MAX  
[.010]  
CUT-OFF

3.94-4.69  
[.155-.185]

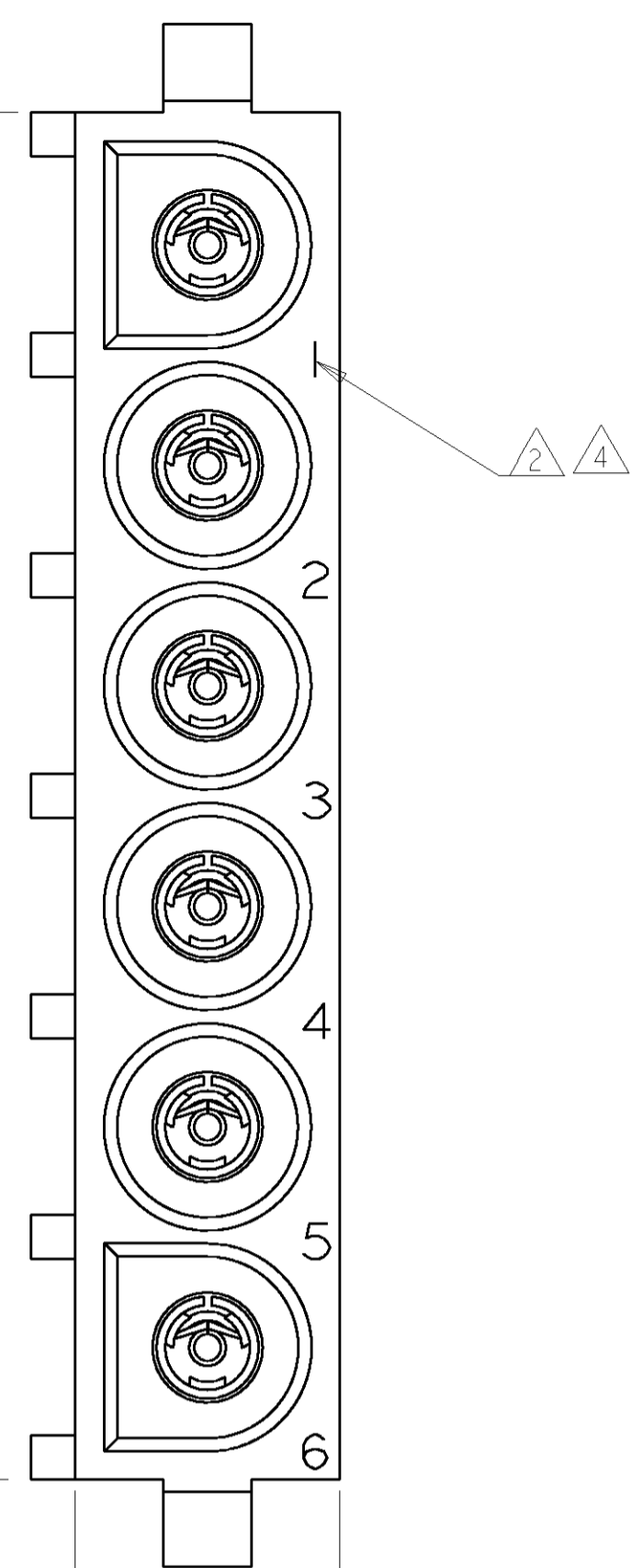
SECTION A-A



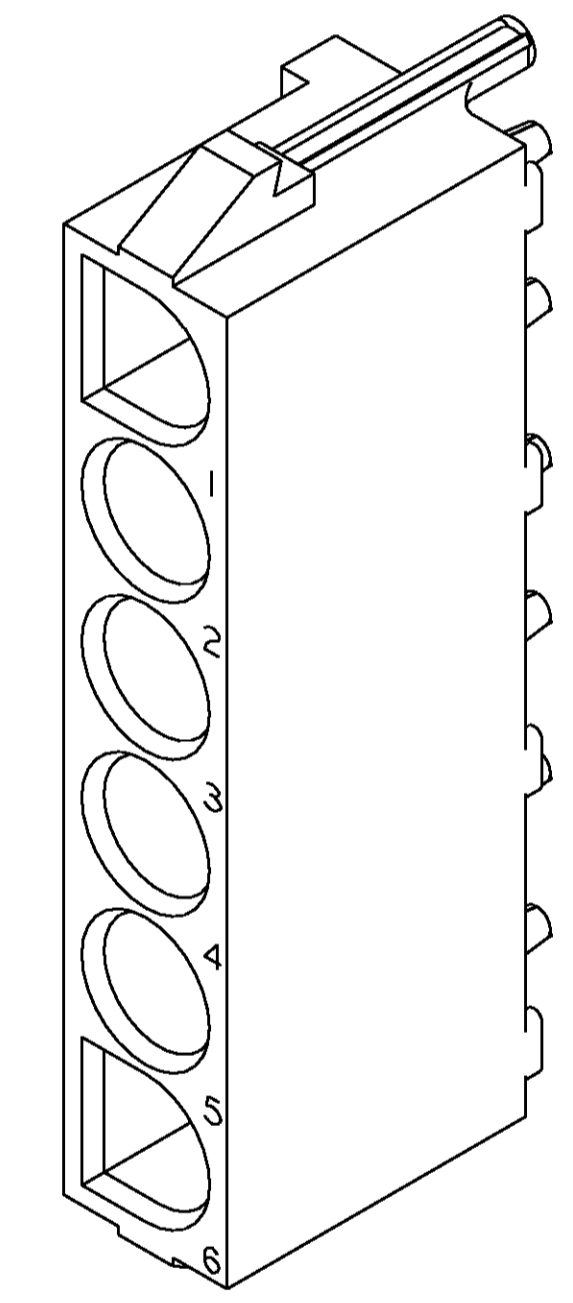
Ø 1.78 ± 0.07  
[.070 ± .003]  
7 PLC

RECOMMENDED MOUNTING HOLE PATTERN  
FOR 1.57 [.062] THICK P.C. BOARD

FOR POLARIZATION  
FEATURE



- PARTS COMPLY TO AMP SOLDERABILITY SPECIFICATION 109-11-3.
- CIRCUIT IDENTIFICATION CHARACTERS ARE ADJACENT TO THE INDICATED CAVITIES, BUT LOCATION AND ORIENTATION MAY DIFFER FROM PRINT.
- DIMENSIONS IN BRACKETS ARE IN INCHES.
- IDENTIFICATION WILL APPEAR AT CIRCUIT NO. 1, OTHERS OPTIONAL.



SCALE 4:1

PHOSPOR BRONZE, PRE-TIN PIN CONTACT MATERIAL AND FINISH		NYLON, UL94V-2, NATURAL HOUSING MATERIAL AND COLOR		1586211-1 PART NUMBER
DIMENSIONS: mm [ INCHES ]		TOLERANCES UNLESS OTHERWISE SPECIFIED:		DWN R. WHITAKER 27APR04 CHK S. RIDGILL 27APR04 APVD S. RIDGILL 27APR04
DIMENSIONS: mm [ INCHES ]		TOLERANCES UNLESS OTHERWISE SPECIFIED:		Tyco Electronics Harrisburg, PA 17105-3608
MATERIAL SEE TABLE		FINISH SEE TABLE		NAME SOCKET HEADER ASSEMBLY, POLARIZED, 6 CIRCUIT INLINE, NO DRAIN HOLES, UNIVERSAL MATE-N-LOK™
WEIGHT -		SIZE A		CAGE CODE 00779
CUSTOMER DRAWING		DRAWING NO. 1586211		SHEET 1 OF 1 REV 0

