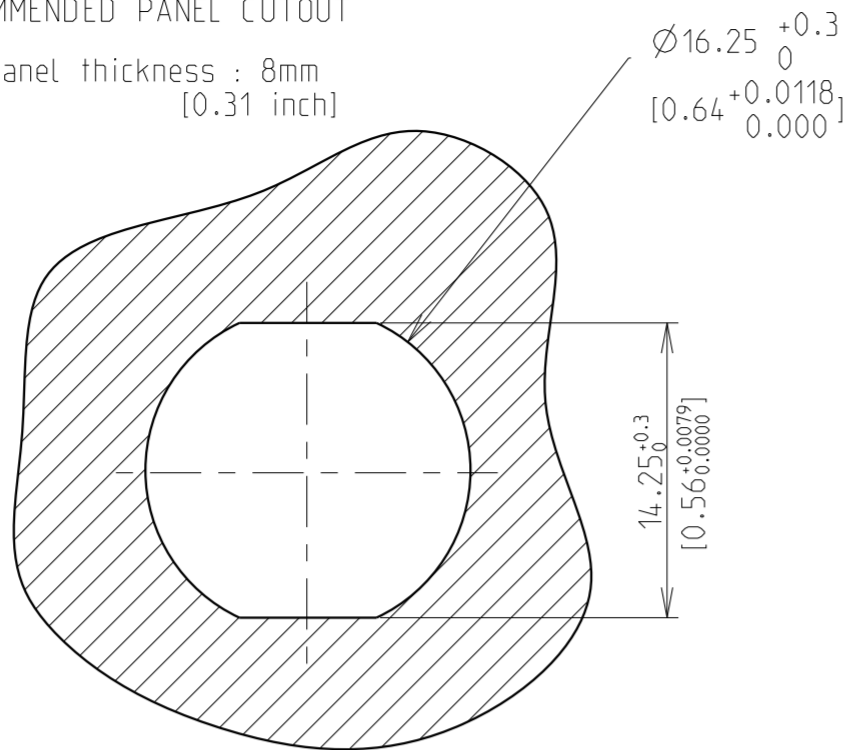


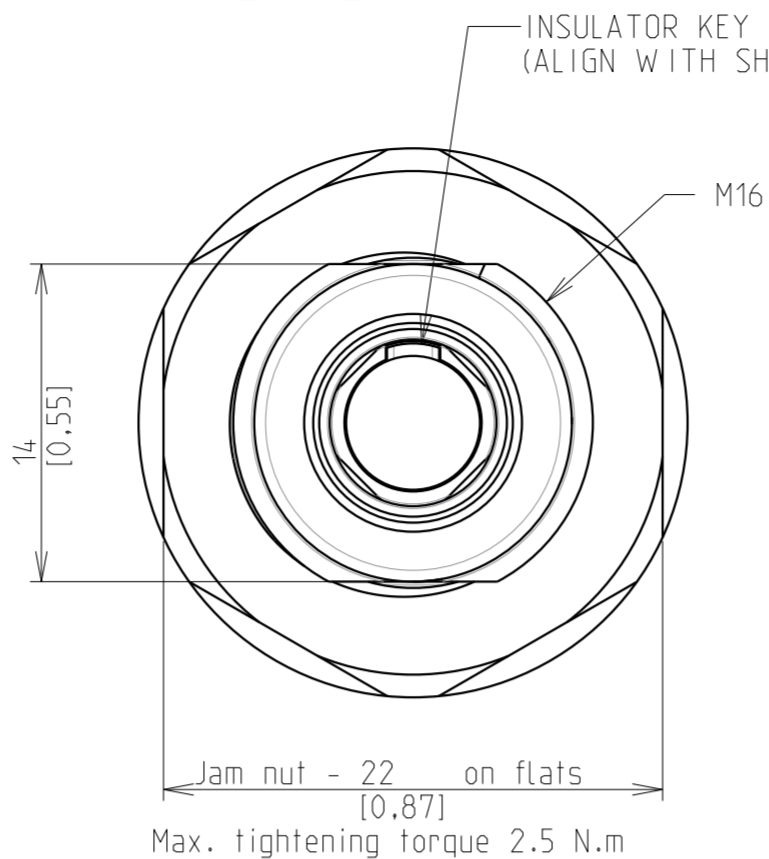
C.2: Validé

RECOMMENDED PANEL CUTOUT

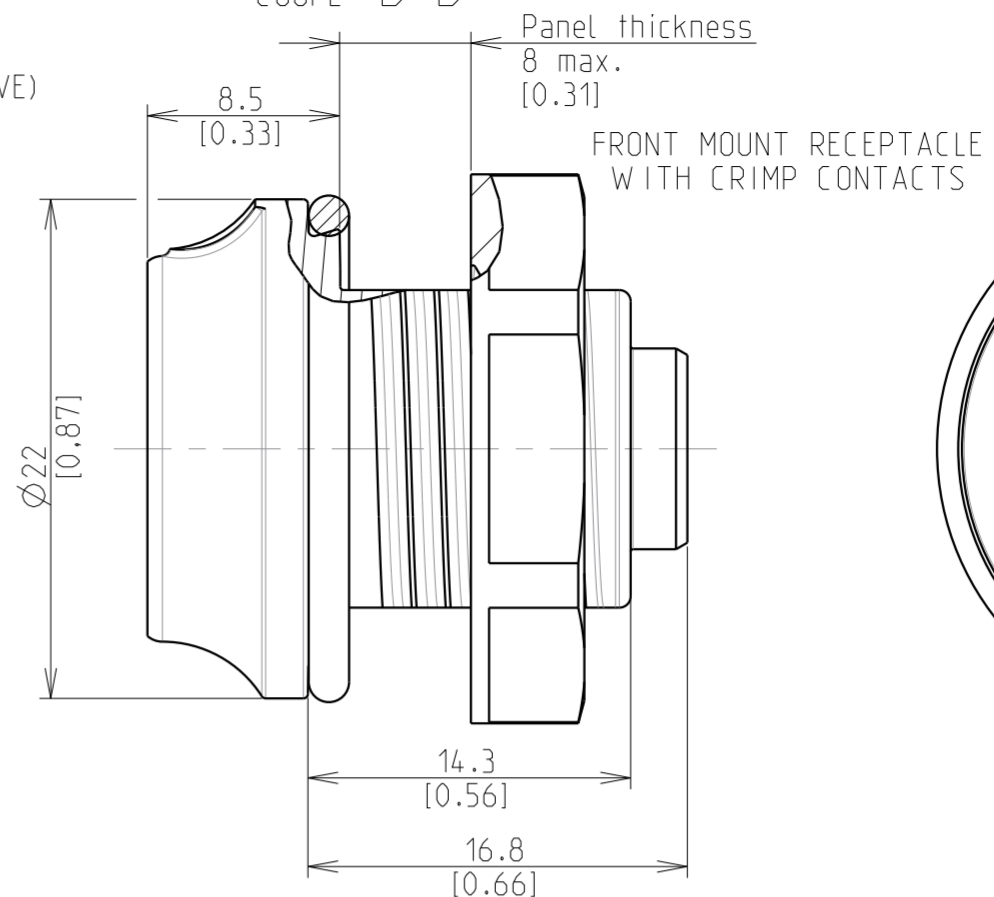
Max. Panel thickness : 8mm [0.31 inch]



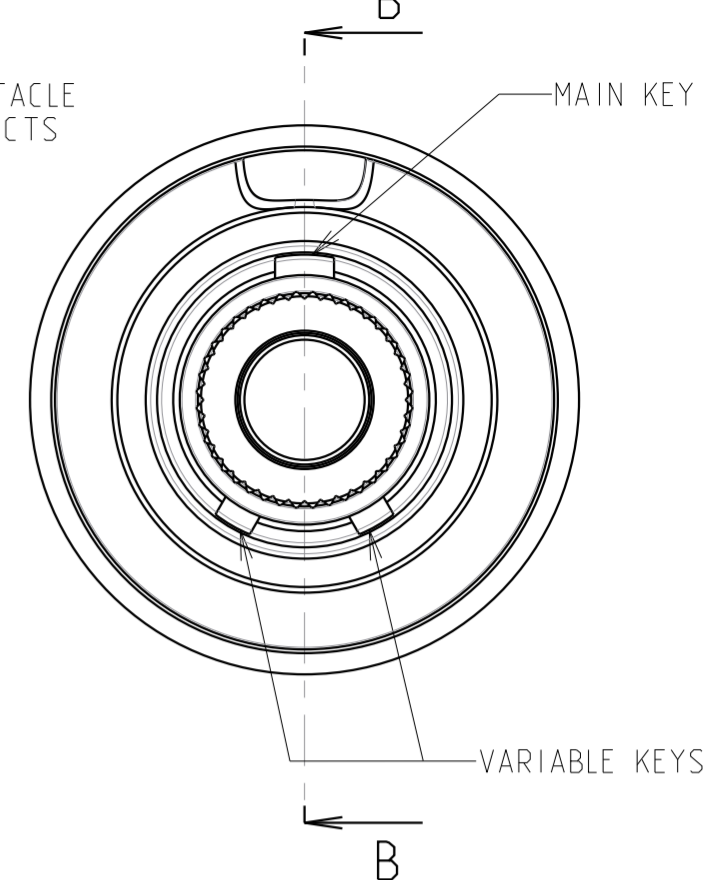
REAR VIEW



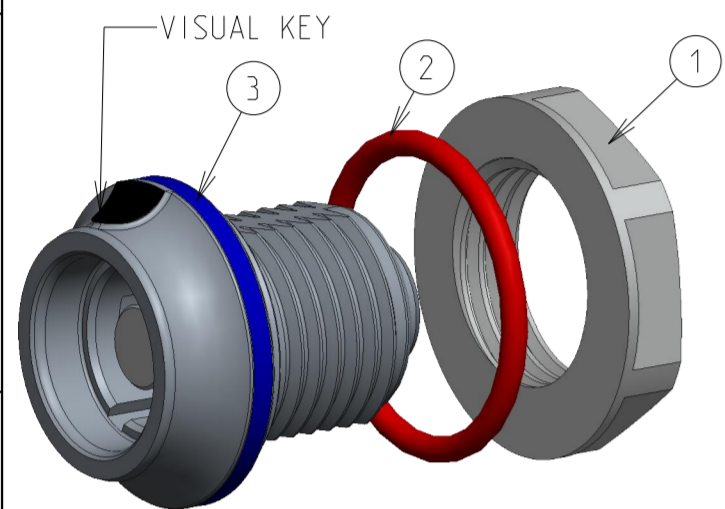
SIDE VIEW COUPE B-B



FRONT VIEW



MASS ± 5% 6.25 g



SCALE 2/1

PART LIST		
ITEM NO.	DESCRIPTION	MATERIAL
1	HEX NUT	POLYAMIDE- PA6
2	PANEL SEAL	SILICONE
3	SHELL RECEPTACLE	PEI-ULTEM

**ELECTRICAL:**  
 INSULATION RESISTANCE : >500MΩ PER ANSI-EIA-364-D METHOD 21  
 MAX. CURRENT RATING : SEE INSULATOR DRAWING  
 CONNECTOR TESTING VOLTAGE : SEE INSULATOR DRAWING  
 CONNECTOR WORKING VOLTAGE : SEE INSULATOR DRAWING

**PHYSICAL:**  
 MAXIMUM WIRE SIZE USED : SEE INSULATOR DRAWING

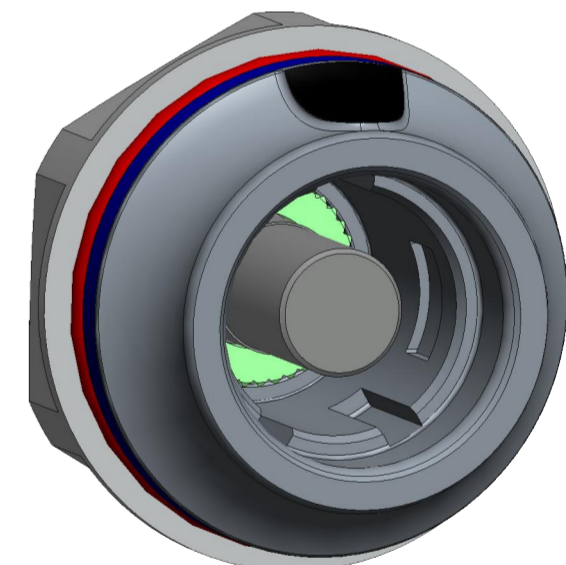
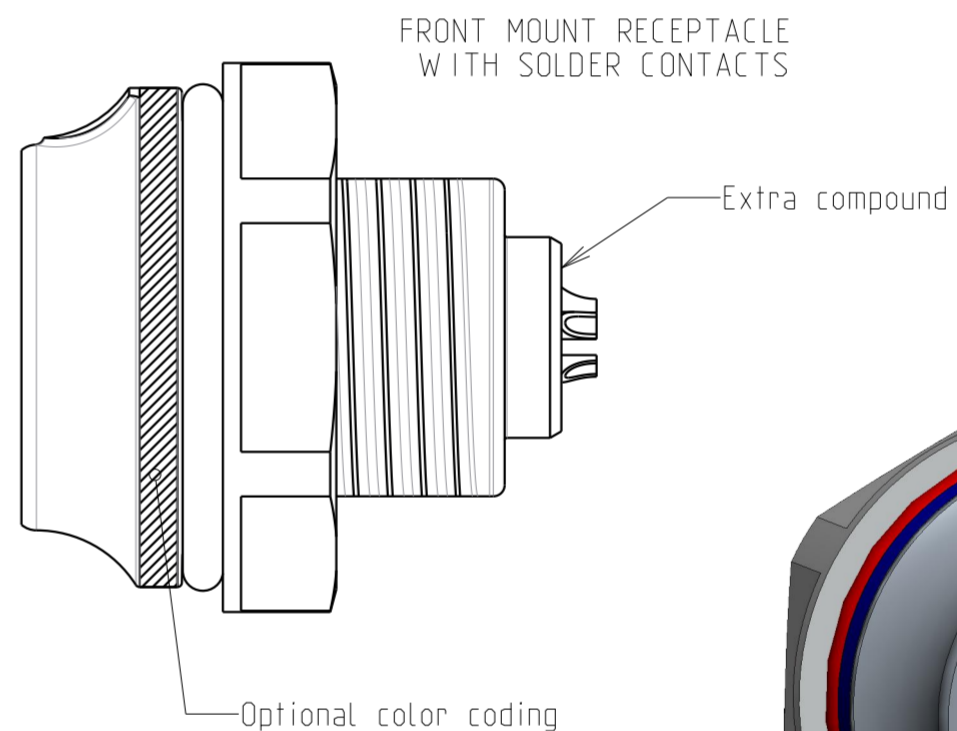
**ENVIRONMENTAL:**  
 ENDURANCE: 2000 MATING CYCLES AS PER IEC 60512-5 test 9a  
 SHOCK: Dropping height 750 mm [29.53] per IEC 60512 test 7b

**PROTECTION INDEX:**  
 IP 68 AS PER IEC 60529 (IBAR DURING 1 WEEK)  
 In mated condition  
 In unmated condition with solder contacts

ROHS & REACH COMPLIANT  
 OPERATING TEMPERATURE: -20°C +100°C (-4°F +212°F)

BIOCOMPATIBILITY: ALL SHELL PEI-ULTEM PARTS to USP Class VI / ISO 10993

SIDE VIEW



Connector coding

Basic type	JMX	HH	1	G	XX	X	X	U	D	S	X	X
Shell type : HH Front mount receptacle												
Shell size												
Keying : G												
Contact layout : SEE INSULATOR DRAWING												
Contact type : (M) Male, (F) Female												
Contact style: S (Solder), C (Crimp), P (Straight PCB contacts), Q (90° PCB contacts)												
Material												
Standard collet												
Back nut : S (standard)												
Connector color coding (A)Blue, (P)Purple, (G)Grey, (J)Yellow, (M)Brown, (N)Black, (R)Red, (V)Green, (O)Orange, U(Uncolored)												
Packaging : nothing:single packaging, B(Bulk) : 100pcs												

Country	Jurisdiction & Control List
FR	NOT LISTED

P/N : SEE TABLE : CONNECTOR CODING

LINEAR MESURE : mm [inch]	
TOLERANCES UNLESS OTHERWISE SPECIFIED	
No. OF PLACES	mm [INCH]
WHOLE No.	±0.5 [±0.02]
ONE PLACE	±0.2 [±0.008]
TWO PLACES	±0.1 [±0.004]
ANGLES ±1°	

SOURIAU shall not be liable for any non-conformity or damage due to a use of the Products which does not comply with the Specifications issued by either of the Parties or by a third party (professional recommendation, technical notice.)

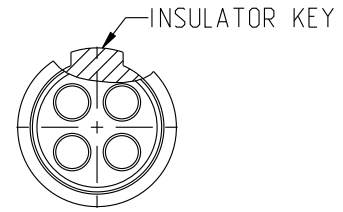
C	27/03/17	Update	--	-
ISS	DATE	Latest modification - by:	G.MARCHAND	MOD N°
Designed by:		Q.LEBRETON	Date:13/01/17	CUSTOMER DRAWING
TITLE		FRONT MOUNT RECEPTACLE SIZE 1		
		JMX SERIES		
Scale	3/1	General linear Tolerances: SEE TABLE	NPRDS / PROJECT BE150710A	
SOURIAU		WWW.SOURIAU.COM		This document is the property of SOURIAU. It must not be reproduced or communicated without permission.
FORMAT	A2	SOURIAU DRG N° C0001-PPP1-A		SHEET 1 / 1

DWG. NO.  
JBX1INSFSC

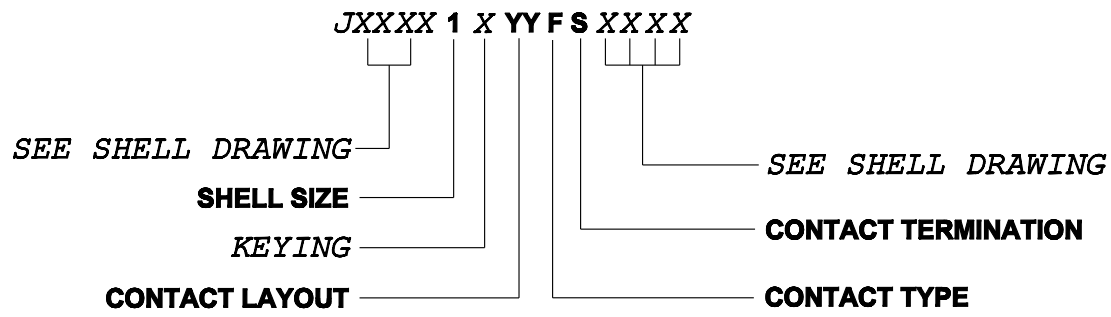
**FEMALE INSULATOR, SOLDER CONTACT**

CONTACT LAYOUT	02	03	04	05	
FRONT SIDE VIEW					
REAR SIDE VIEW					
CONTACT					
ISO VIEW					
CONTACT	ØC (mm)	1.3	1.3	0.9	0.9
	ØF (mm)	1.1	1.1	0.8	0.8
	MAX. AWG	20	20	24	24
	MAX. CURRENT RATING (A)	15	15	10	10
	CONTACT RESISTANCE (mΩ)	3	3	3.5	3.5
INSULATOR	NUMBER OF CAVITY	2	3	4	5
	MAX. CURRENT RATING (A)	10	9	8	7
	AIR CLEARANCE/CREEPAGE DISTANCE min (mm) (BETWEEN CONTACTS)	1.2	1	1	0.8
TEST VOLTAGE (V)	1200	1100	1100	1100	

**CONTACT TYPE :** F (FEMALE)  
**CONTACT TERMINATION :** S (SOLDER)  
**MATERIAL :**  
 CONTACT: CUPRO NICKEL  
 CLIP: COPPER ALLOY  
 INSULATOR: PEEK  
**FINISH:**  
 CONTACTS: GOLD



**CATALOG NUMBER DESCRIPTION**



THIS DRAWING IS A CONTROLLED DOCUMENT FOR SOURIAU USA, INC. IT IS SUBJECT TO CHANGE WITHOUT NOTIFICATION. CONTACT THE DOCUMENT CONTROL CENTER FOR THE LATEST REVISION.

THE INFORMATION CONTAINED IN THIS DRAWING IS CONFIDENTIAL AND MAY NOT BE DISCLOSED WITHOUT WRITTEN CONSENT FROM SOURIAU USA, INC.

REV	DESCRIPTION	BY DATE	CHKD DATE
C	REVISED PER ECN 13093	RSK 03-01-17	EV 03-01-17
B	REVISED PER ECN 12286	RSK 06-10-15	EV 06-10-15
A	RELEASED PER ECN 12264	SKV 03-10-15	EV 03-10-15

DRAWING TITLE  
**JBX, SIZE 1, FEMALE INSULATOR, SOLDER CONTACT**

CAT NO. <b>JBX1INSFS</b>		CAGE NO: 09922		SIZE: B	
<b>CUSTOMER</b>			<b>SOURIAU</b>		
INTERPRET THIS DRAWING IN ACCORDANCE WITH ASME Y14.5M - 1994.			APPROVAL		
			DRAWN: SKV 02-02-15		
			CHKD : EV 02-02-15		
			DSGN : EV 02-02-15		
			MFG : DH 02-02-15		
			QC : BB 02-02-15		
			DRAWING SCALE: NA		
			DRAWING NO. REV		
			JBX1INSFSC C		
			1 OF 2		

ORIGIN	COUNTRY	JURISDICTION	CLASSIFICATION
<b>X</b>	<b>FR</b>	<b>Not listed</b>	<b>N/A</b>
	<b>US</b>	<b>EAR</b>	<b>ECCN =EAR99</b>

These commodities, technology or software are exported from the United States in accordance with the Export Administration Regulations. Diversion contrary to U.S. law is prohibited

LINEAR MEASURE:  $\frac{mm}{INCH}$  mm (INCH)  
 THIRD ANGLE PROJECTION  
  
 TOLERANCES UNLESS OTHERWISE SPECIFIED  
 No. OF PLACES mm [INCH]  
 ONE PLACE ±3 [±.1]  
 TWO PLACES ±0.5 [±.02]  
 THREE PLACES ±0.25 [±.010]  
 ANGLES ±1°

THIS DRAWING IS A CONTROLLED DOCUMENT FOR SOURIAU USA, INC. IT IS SUBJECT TO CHANGE WITHOUT NOTIFICATION. CONTACT THE DOCUMENT CONTROL CENTER FOR THE LATEST REVISION.

THE INFORMATION CONTAINED IN THIS DRAWING IS CONFIDENTIAL AND MAY NOT BE DISCLOSED WITHOUT WRITTEN CONSENT FROM SOURIAU USA, INC.

DWG. NO.  
JBX11NSFSC

CONTACT LAYOUT	06	07	08	10	12
FRONT SIDE VIEW					
REAR SIDE VIEW					
CONTACT					
ISO VIEW					
CONTACT	ØC (mm)	0.7	0.7	0.7	0.5
	ØF (mm)	0.81	0.81	0.81	0.5
	MAX. AWG	22	22	22	28
	MAX. CURRENT RATING (A)	7	7	7	5
INSULATOR	CONTACT RESISTANCE (mΩ)	5	5	5	10
	NUMBER OF CAVITY	6	7	8	10
	MAX. CURRENT RATING (A)	6	5	5	2.5
	AIR CLEARANCE/CREEPAGE DISTANCE min (mm) (BETWEEN CONTACTS)	0.75	0.75	0.54	0.58
TEST VOLTAGE (V)	1000	1000	900	900	900

DRAWING TITLE  
**JBX, SIZE 1, FEMALE INSULATOR, SOLDER CONTACT**

CAT NO. **JBX11NSFS**

CAGE NO: 09922      SIZE: B

ORIGIN	COUNTRY	JURISDICTION	CLASSIFICATION
<b>X</b>	<b>FR</b>	<b>Not listed</b>	<b>N/A</b>
	<b>US</b>	<b>EAR</b>	<b>ECCN =EAR99</b>

These commodities, technology or software are exported from the United States in accordance with the Export Administration Regulations. Diversion contrary to U.S. law is prohibited

LINEAR MEASURE:  $\frac{mm}{INCH}$  mm (INCH)

THIRD ANGLE PROJECTION

TOLERANCES UNLESS OTHERWISE SPECIFIED

No. OF PLACES	mm [INCH]
ONE PLACE	±3 [±.1]
TWO PLACES	±0.5 [±.02]
THREE PLACES	±0.25 [±.010]

ANGLES ±1°

**CUSTOMER**

INTERPRET THIS DRAWING IN ACCORDANCE WITH ASME Y14.5M - 1994.

**SOURIAU**

[WWW.SOURIAU.COM](http://WWW.SOURIAU.COM)

APPROVAL	DRAWN: SKV	02-02-15
	CHKD : EV	02-02-15
	DSGN : EV	02-02-15
	MFG : DH	02-02-15
	QC : BB	02-02-15
DRAWING SCALE: NA		
DRAWING NO.		REV
JBX11NSFSC		C
2 OF 2		

B

A