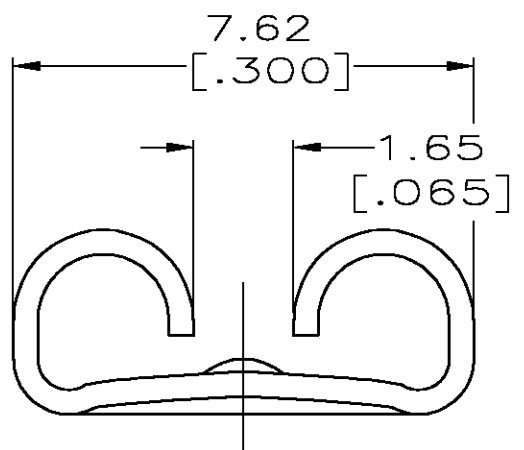
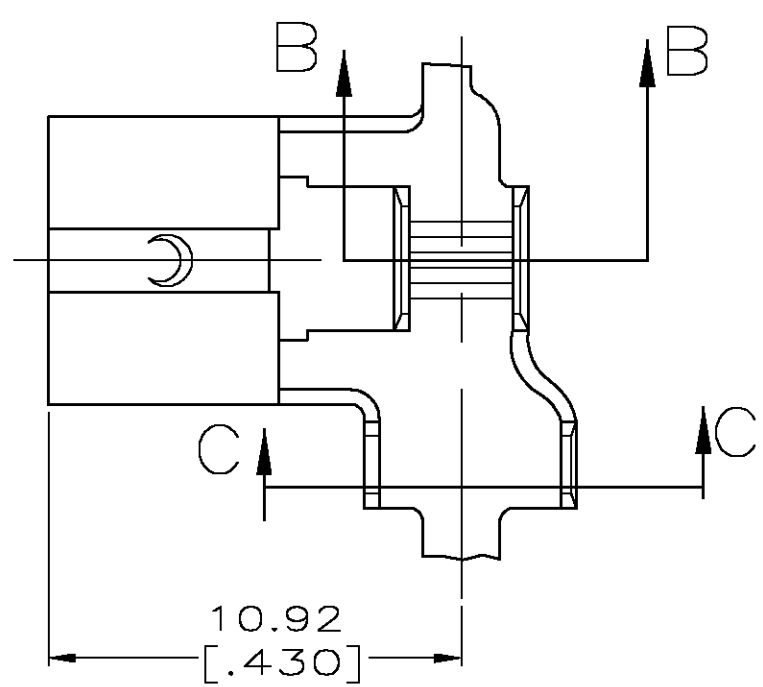


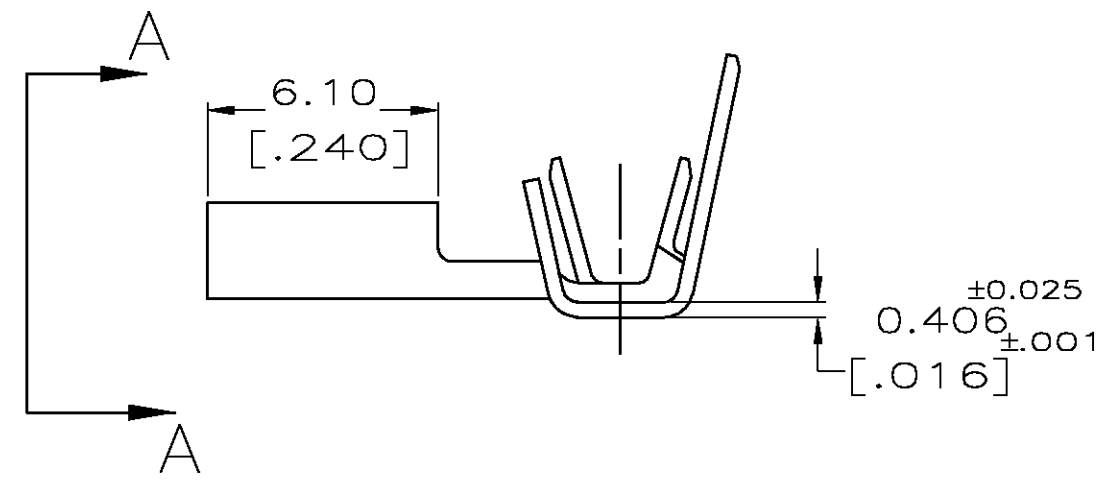
THIS DRAWING IS UNPUBLISHED. RELEASED FOR PUBLICATION
 © COPYRIGHT BY TYCO ELECTRONICS CORPORATION. ALL RIGHTS RESERVED.

LOC	DIST	REVISIONS			
P	LTR	DESCRIPTION	DATE	DWN	APVD
AF	50	C	REV PER 0G3A-0361-03	15SEP03	MF PD

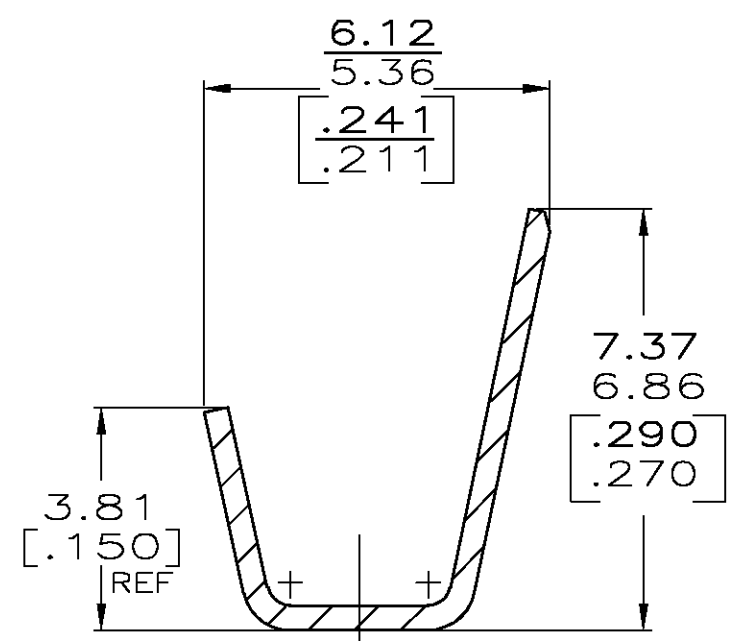
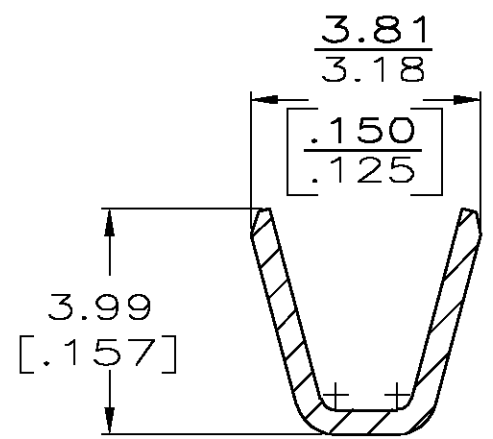


VIEW A-A
SCALE 8:1

- 1 CONTINUOUS STRIP ON REELS
- 2 NICKEL 0.00381 [.000150] MIN THICK.



SECTION B-B
SCALE 8:1



SECTION C-C
SCALE 8:1

2.79-5.08 [.110-.200]	[#18-#14] OR TWO [#18'S]	0.813±0.025 [.032±.001]	63963-1
INSUL RANGE	WIRE SIZE	MATING TAB THICKNESS	PART NO

THIS DRAWING IS A CONTROLLED DOCUMENT.		DWN JR RUTH 6/10/97	Tyco Electronics Corporation Harrisburg, PA 17105		
DIMENSIONS: INCHES		CHK MS FEHER 6/10/97			
TOLERANCES UNLESS OTHERWISE SPECIFIED:		APVD P DESANTIS 6/10/97	NAME RECPT, FASTON, FLAG, .250 SERIES		
0 PLC ± - 1 PLC ± - 2 PLC ± - 3 PLC ± 0.25 [.010] 4 PLC ± - ANGLES ± -		PRODUCT SPEC -	APPLICATION SPEC 114-2079		
MATERIAL H02 STEEL		FINISH NICKEL 2	SIZE A3	CAGE CODE 00779	DRAWING NO C-63963
CUSTOMER DRAWING			RESTRICTED TO -	SCALE 5:1	SHEET 1 OF 1
			REV C		