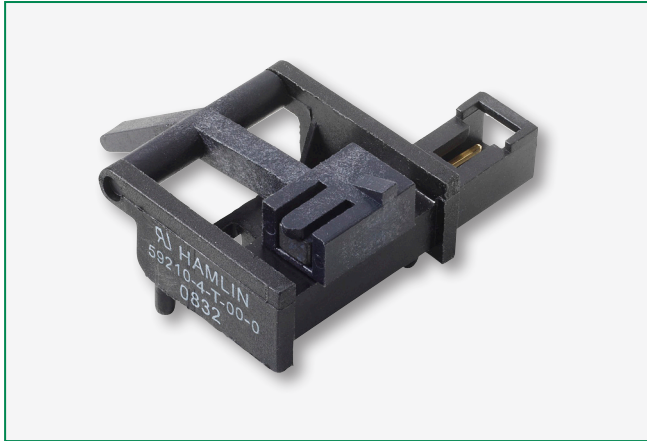


59210 Small Lever Arm Reed Sensor



Description

The 59210 is a small lever arm reed sensor in a clip mounting frame with low operating force and an integral two-pin connector. It has normally closed contacts. It is capable of switching up to 140Vac/200Vdc at 10W.

The 59210 is available with various other arm configurations (please contact Littelfuse). It is ideally suited to paper path sensing and security system applications. Please contact Littelfuse for optional return spring and other arm configurations.

Features

- Clip mounting frame
- Shrouded terminal accepts Molex SL terminal or equivalent
- Low operating force
- Variety of arm configurations available (contact Littelfuse)

Agency Approvals

Agency	Agency File Number
	E61760

Note: Contact Littelfuse for specific agency approval ratings.

Benefits

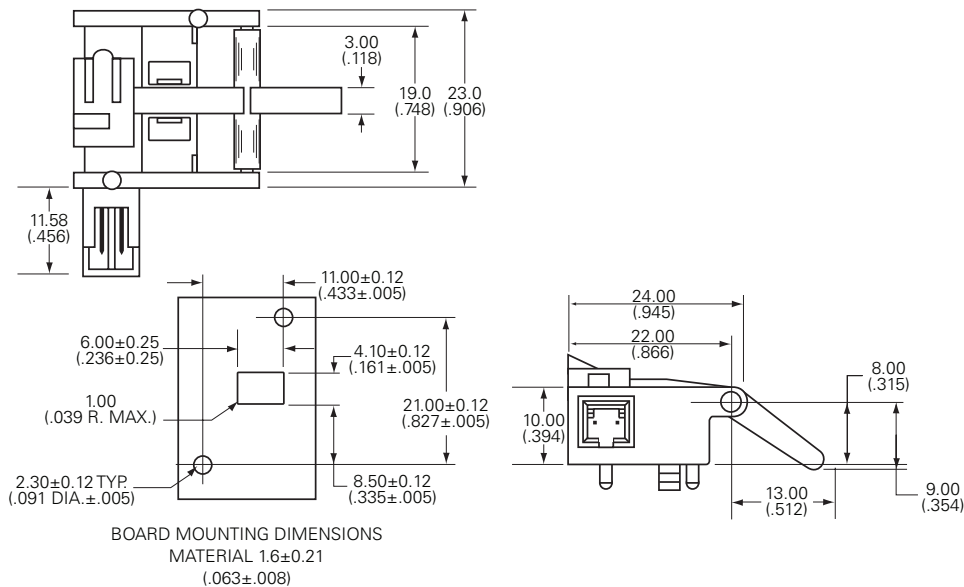
- Hermetically sealed, magnetically operated contacts continue to operate long after optical and other technologies fail due to contamination
- No standby power requirement

Applications

- Paper path sensing
- Security system switching

Dimensions

Dimensions in mm (inch)



59210 Small Lever Arm Reed Sensor

Electrical Ratings

Contact Type			Normally Closed
Switch Type			4
Contact Rating ¹		VA/Watt - max.	10
Voltage ⁴	Switching ²	Vdc - max.	200
	Breakdown ³	Vac - max.	140
		Vdc - min.	250
Current ⁴	Switching ²	Adc - max.	0.5
		Aac - max.	1.0
	Carry	Adc - max.	1.2
Resistance ⁵	Contact, Initial Insulation	Ω - max.	0.2
		Ω - min.	10 ¹⁰
Capacitance	Contact	pF - typ.	0.3
Temperature	Operating	°C	-40 to +105

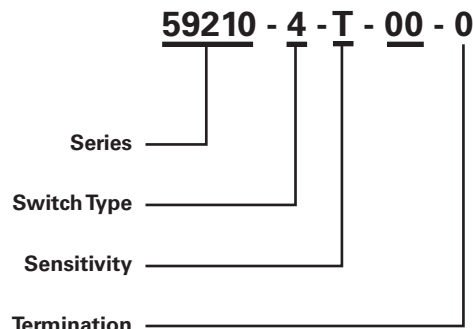
Product Characteristics

Operate Time ⁶		ms - max.	1.0
Release Time ⁶		ms - max.	1.0
Shock ⁷	11ms ½ sine	G - max.	100
Vibration ⁷	50-2000 Hz	G - max.	30

Notes:

- Contact rating - Product of the switching voltage and current should never exceed the wattage rating. Contact Littelfuse for additional load/life information.
- When switching inductive and/or capacitive loads, the effects of transient voltages and/or currents should be considered. Refer to Application Notes AN108A and AN107 for details.
- Breakdown Voltage - per MIL-STD-202, Method 301.
- Electrical Load Life Expectancy - Contact Littelfuse with voltage, current values along with type of load.
- This resistance value is for 11.81mm wire length. Resistance changes when wire lengthens.
- Operate (including bounce)/Release Time - per EIA/NARM RS-421-A, diode suppressed coil (Coil II).
- Shock and Vibration - per EIA/NARM RS-421-A and MIL-STD-202.

Part Numbering System



Mates with Molex SL series or equivalent

Activation Parameters

Must Actuate (Contacts Open)	Must Release (Contacts Close)
< 15 degrees rotation of arm	< 5 degrees rotation back down from rest position

Packaging

Packaging Option	Packaging Specification	Quantity	Quantity & Packaging Code	Taping Width
Bulk	Bulk	500	N/A	N/A