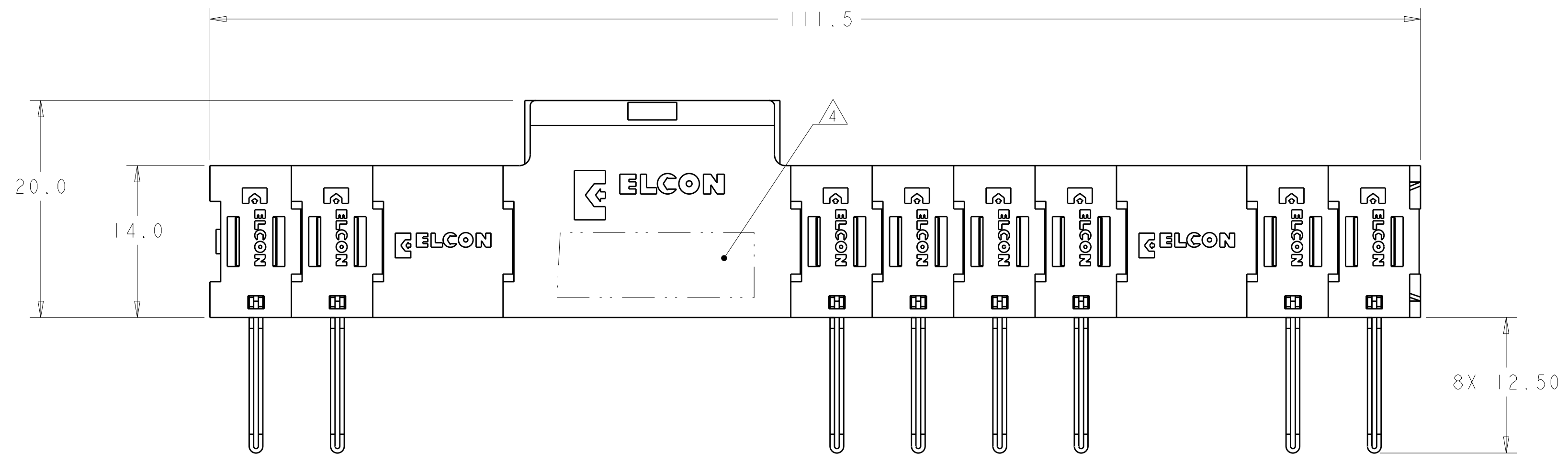


| LOC | DIST | REV | DATE | BY | APPD |
|-----|------|-----------------------|-----------|----|------|
| GP | 00 | D | 06JAN2009 | RG | PD |
| | | REV PER ECO-08-032052 | | | |



1. PART NUMBER CHANGES AND OR DESIGN CHANGES AFFECTING ITEM INTERCHANGEABILITY REQUIRE PRIOR TYCO ELECTRONICS APPROVAL AND AUTHORIZATION BY REVISION TO THIS DRAWING.

2 MATERIAL: INSULATORS - THERMOPLASTIC, GLASS REINFORCED, COLOR: BLACK, UL94V-0 FLAMMABILITY RATED. POWER CONTACTS - PHOSPHOR BRONZE ALLOY, COPPER ALLOY. SOLDER SIGNAL PINS-BRASS ALLOY

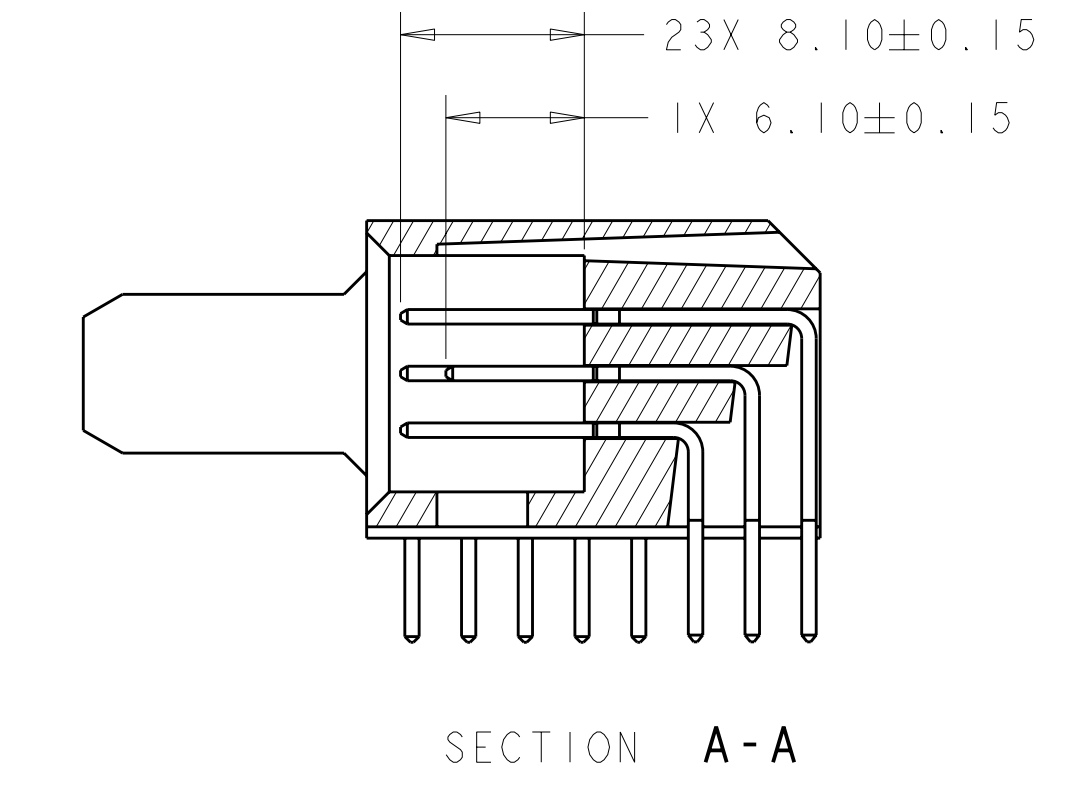
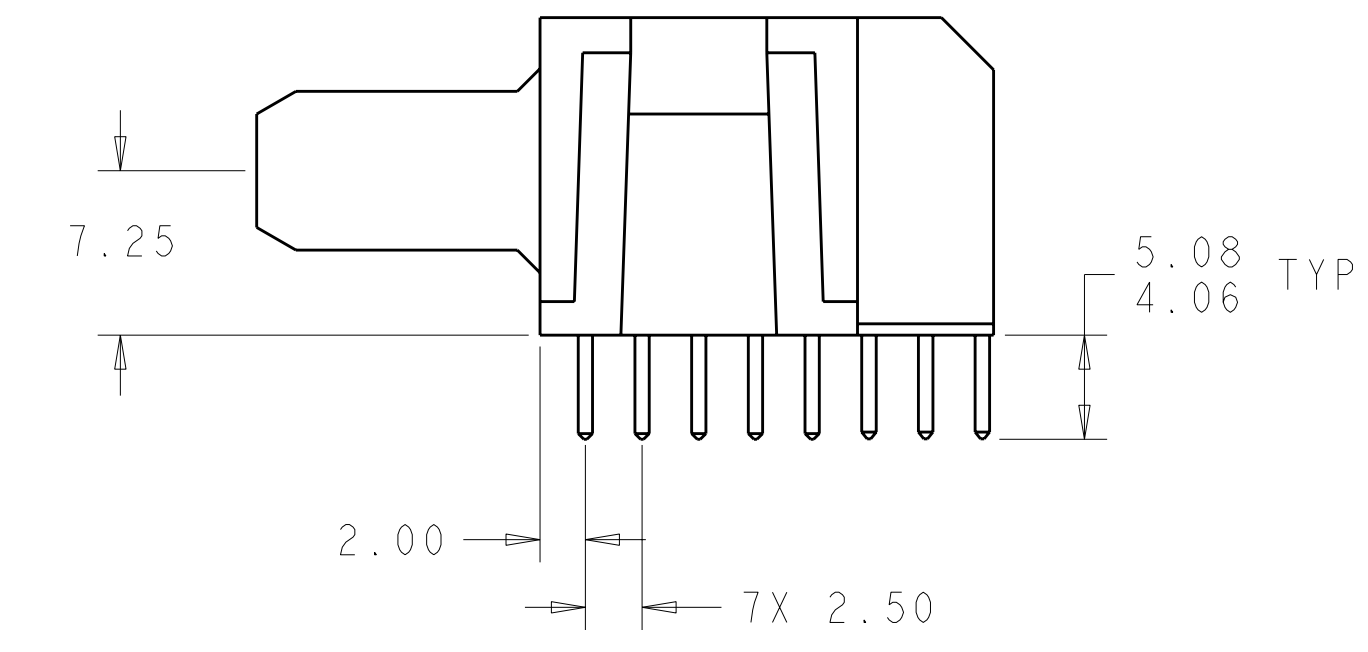
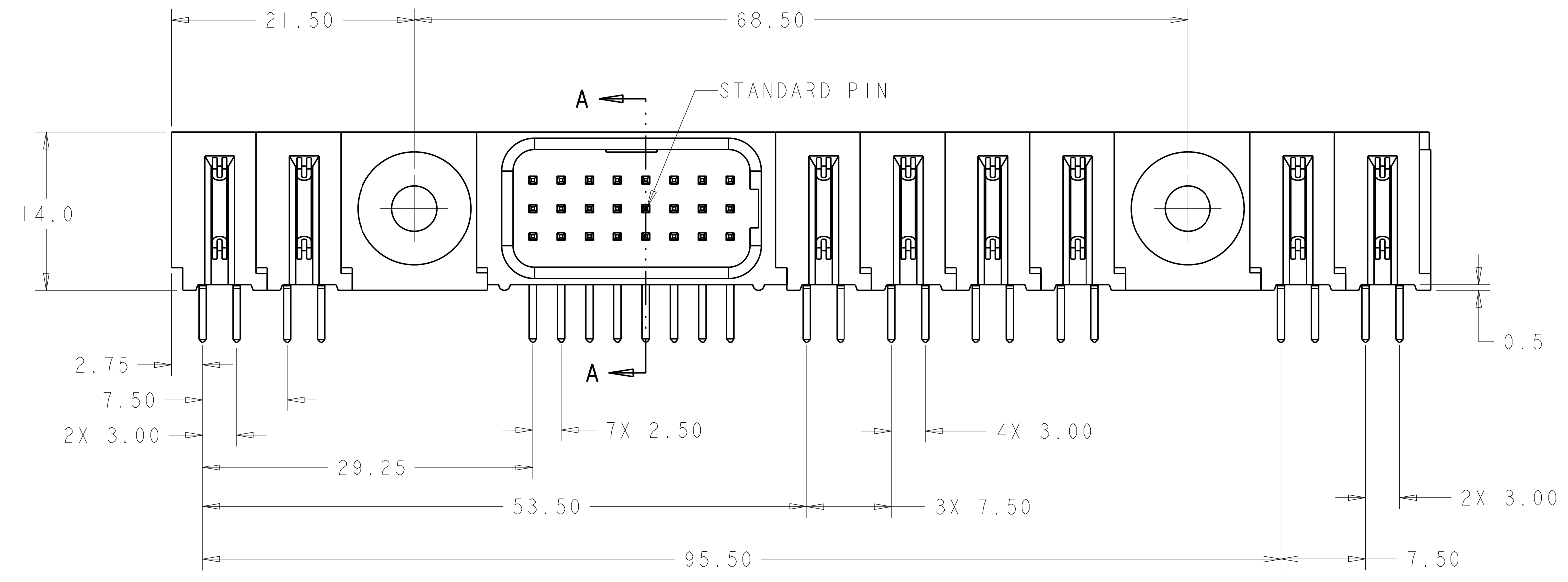
3 FINISH: CONTACTS - GOLD PLATE 0.76µm MIN. THK., OVER NICKEL 1.27µm MIN. THK. SOLDER TAILS, TIN 3.05µm MIN. THK. OVER NICKEL 1.27µm MIN THK.

4 ITEMS PROVIDED TO THIS SPECIFICATION TO BE PERMANENTLY IDENTIFIED PER THE FOLLOWING IDENTIFIER LABEL



5. THIS CONNECTOR MATES WITH SOCKET CONNECTOR P/N 6646365-1

6 CUSTOM FP302 MODULE WITH ONE STANDARD PIN

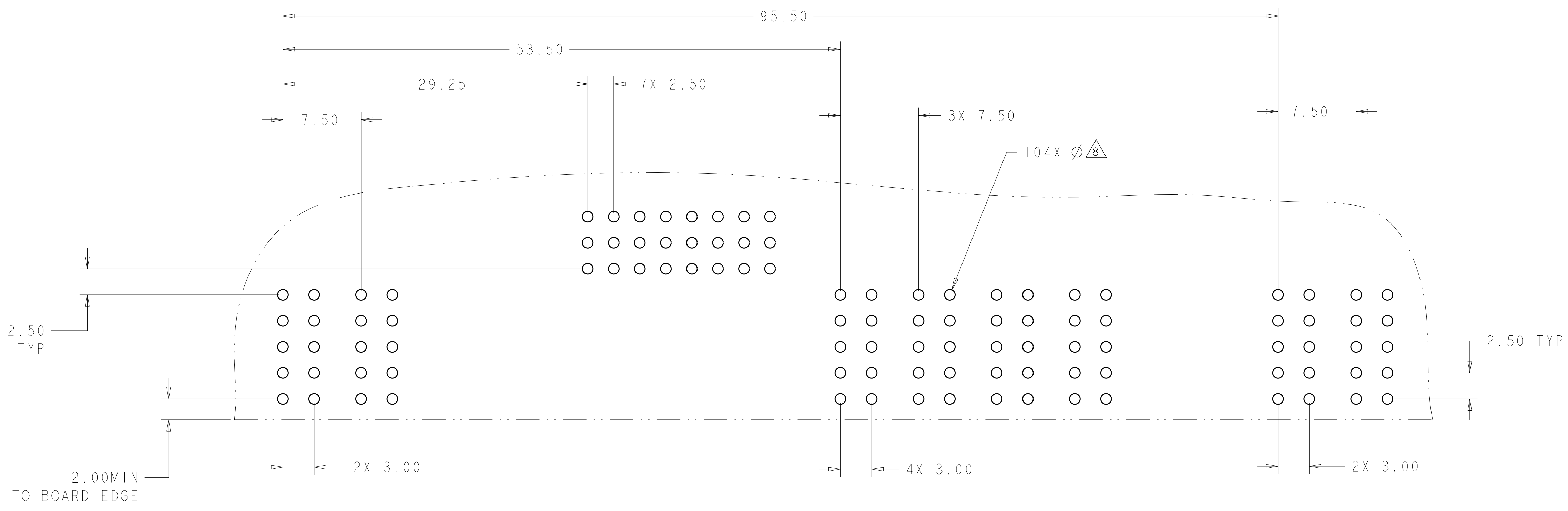


ELCON FLATPAQ

| | |
|-------------|-------------|
| AS SHOWN | 6651848-1 |
| DESCRIPTION | PART NUMBER |

| | | | |
|---|--|---|---|
| DIMENSIONS: mm [INCHES] TOLERANCES UNLESS OTHERWISE SPECIFIED: 9 PLC ±.5 1 PLC ±.5 2 PLC ±.25 3 PLC ±.5 4 PLC ±.5 ANGLES ±.5 | | DWN R. GRZYBOWSKI 06JAN09 CHK P. DAMATO 06JAN09 APVD M. PERCHERKE 06JAN09 PRODUCT SPEC APPLICATION SPEC WEIGHT CUSTOMER DRAWING | Tyco Electronics Harrisburg, PA 17105-3608 NAME SIZE CAGE CODE DRAWING NO RESTRICTED TO |
| MATERIAL FINISH | | NAME PRODUCT SPEC APPLICATION SPEC WEIGHT CUSTOMER DRAWING | Tyco Electronics Harrisburg, PA 17105-3608 NAME SIZE CAGE CODE DRAWING NO RESTRICTED TO |
| P/N 00779 C=6651848 | | SCALE 3:1 SHEET 1 OF 3 REV D | P/N 00779 C=6651848 SCALE 3:1 SHEET 1 OF 3 REV D |

| LOC | DIST | REVISIONS | | | | | |
|-----|------|-----------|-----|-------------|------|-----|------|
| GP | 00 | P | LTR | DESCRIPTION | DATE | DWN | APVD |
| | | - | - | SEE SHEET 1 | - | - | - |
| | | | | | | | |
| | | | | | | | |

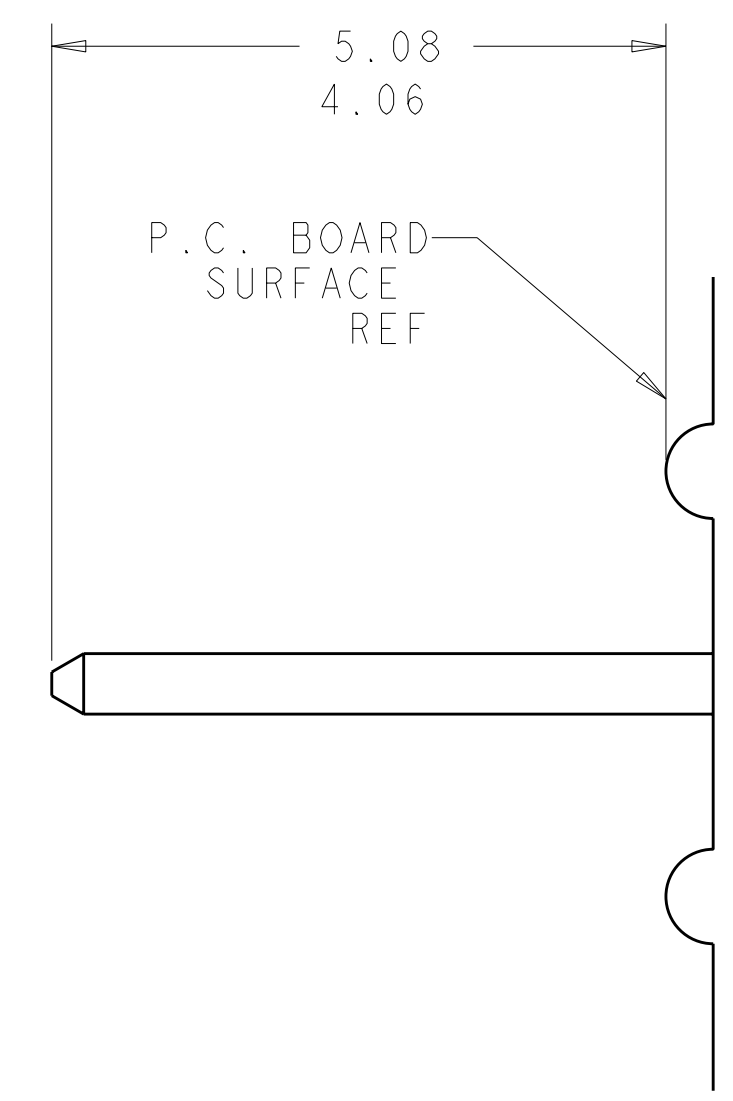


PRINTED CIRCUIT LAYOUT
 COMPONENT SIDE

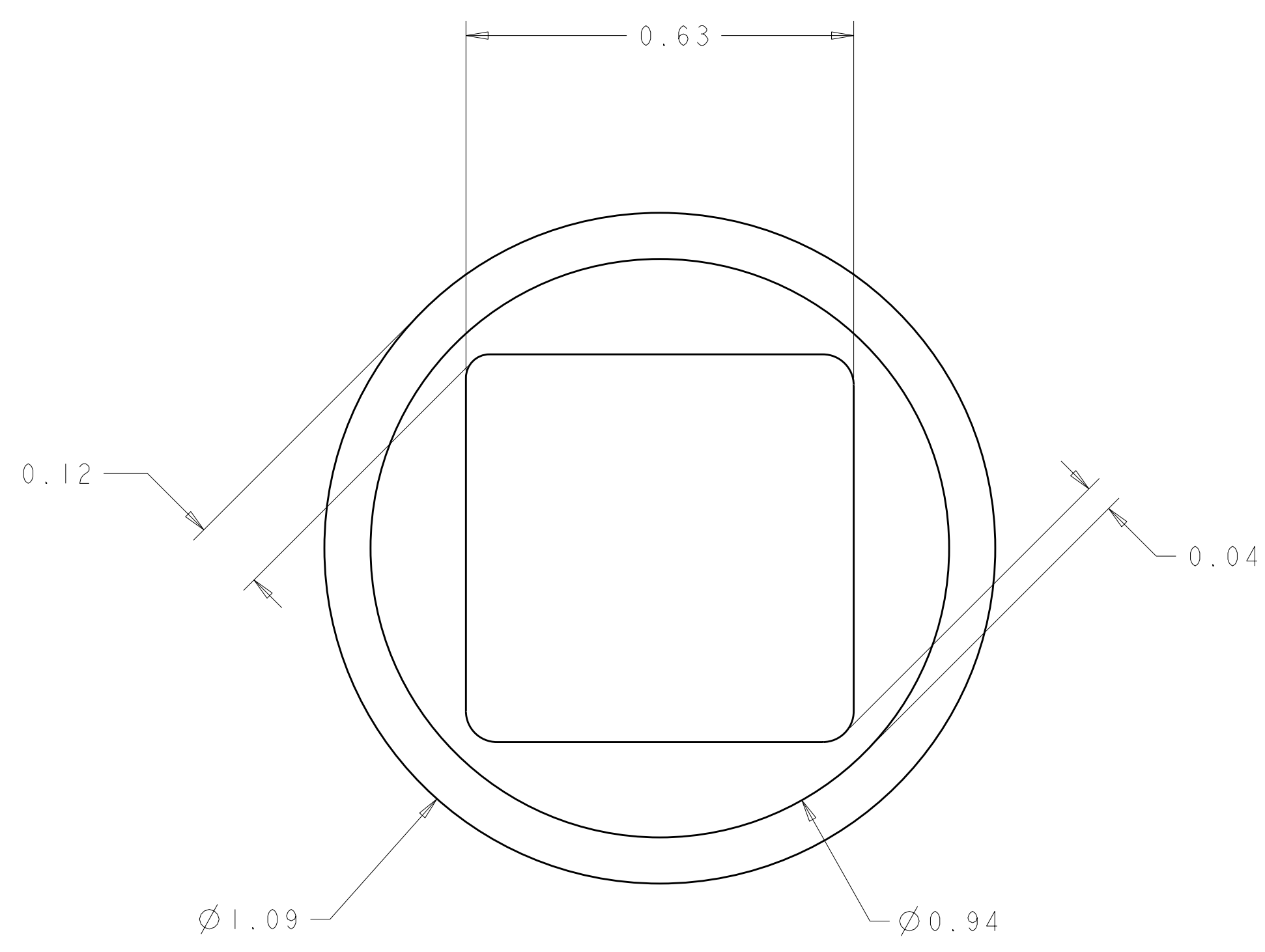
| CONNECTOR | EQUIVALENT CATALOG MODULE # | MODULE QTY | CONTACT QTY | SIZE NO. | MATING PIN | MAX. CURRENT (PER CONTACT) | CONTACT SPACING | VOLTAGE RATING |
|-----------|-----------------------------|------------|-------------|--------------------------|-------------|----------------------------|-----------------|----------------|
| PIN | FP152 | 8 | 8 | 8 | 1.25 X 7.00 | 35 amps | 7.50 | 250 VOLTS |
| | FP302 $\triangle 6$ | 1 | 24 | 22 | .64 SQ. | 3 amps | 2.50 | 125 VOLTS |
| | FP506 | 1 | - | RIGHT ANGLE GUIDE SOCKET | | | | |

| | | | |
|--|--|--|---|
| <small>THIS DRAWING IS UNPUBLISHED. RELEASED FOR PUBLICATION 20. THIS IS SUBJECT TO CHANGE WITHOUT NOTICE AND WITHOUT OBLIGATION. TOLERANCES UNLESS OTHERWISE SPECIFIED: DIMENSIONS: mm [INCHES]</small> | | DWN R. GRZYBOWSKI 06JAN09 CHK P. DAMATO 06JAN09 APVD M. PERCHERKE 06JAN09 | Tyco Electronics Harrisburg, PA 17105-3608 |
| DIMENSIONS: mm [INCHES] TOLERANCES UNLESS OTHERWISE SPECIFIED: 0 PLC ±.5 1 PLC ±.5 2 PLC ±.25 3 PLC ±.5 4 PLC ±.5 ANGLES ±.5 | PRODUCT SPEC APPLICATION SPEC WEIGHT FINISH | NAME PIN CONNECTOR, RIGHT ANGLE SOLDER TAILS FLATPAQ SIZE CAGE CODE DRAWING NO A100779C-6651848 | RESTRICTED TO CUSTOMER DRAWING SCALE 3:1 SHEET 2 OF 3 REV D |

| LOC | DIST | REVISIONS | | | | | |
|-----|------|-----------|-----|-------------|------|-----|------|
| GP | 00 | P | LTR | DESCRIPTION | DATE | DWN | APVD |
| - | - | - | - | SEE SHEET 1 | - | - | - |
| | | | | | | | |
| | | | | | | | |



7. SOLDER PIN DETAIL
SCALE 10:1



8 SOLDER TERMINATION AREA
 SCALE 40:1
 RECOMMENDED PRINTED CIRCUIT SOLDER HOLE
 FINISHED HOLE: Ø1.02 ±.08
 DRILLED HOLE: Ø1.15 ±.013
 COPPER PLATE: .025 MIN.
 TIN PLATE: .008 MIN. (PER SURFACE)

ELCON FLATPAQ

| | | | |
|--|---|---|--|
| <small>THIS DRAWING IS UNPUBLISHED. RELEASED FOR PUBLICATION BY TYCO ELECTRONICS CORPORATION. ALL RIGHTS RESERVED.</small> | | DWN R. GRZYBOWSKI 06JAN09 CHK P. DAMATO 06JAN09 APVD M. PERCHERKE 06JAN09 | Tyco Electronics Harrisburg, PA 17105-3608 |
| DIMENSIONS: mm [INCHES] | TOLERANCES UNLESS OTHERWISE SPECIFIED: 9 PLC ±.5 1 PLC ±.5 2 PLC ±.25 3 PLC ±.25 4 PLC ±.5 ANGLES ±.5 FINISH | NAME PRODUCT SPEC APPLICATION SPEC WEIGHT | PIN CONNECTOR, RIGHT ANGLE SOLDER TAILS FLATPAQ SIZE CAGE CODE DRAWING NO A100779C-6651848 CUSTOMER DRAWING |
| MATERIAL | | SCALE 3:1 | SHEET 3 OF 3 REV D |