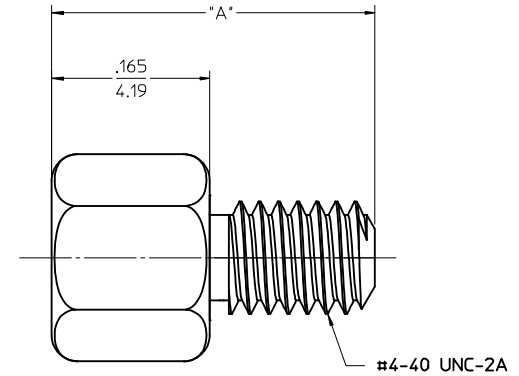
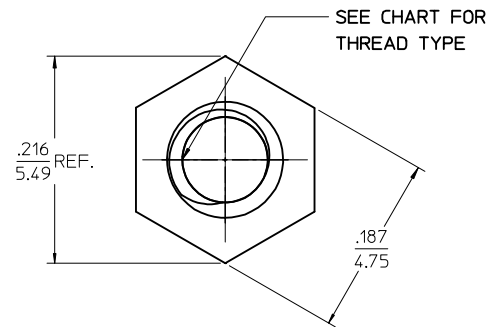
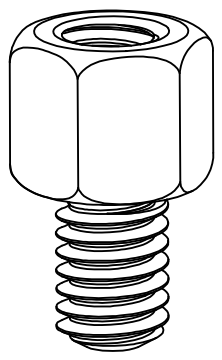


MAT'L NO.	INTERNAL THREAD	DIM. "A"	MATERIAL / PLATING
74962-0001	4-40 UNC-2B	.338 / 8.60	1215 STEEL
74962-0002	M3x0.5 CLASS 6H	.338 / 8.60	ZN CLEAR TRIVALENT CHROMATE
74962-0003	4-40 UNC-2B	.378 / 9.60	1215 STEEL
74962-0004	M3x0.5 CLASS 6H	.378 / 9.60	ZN CLEAR TRIVALENT CHROMATE

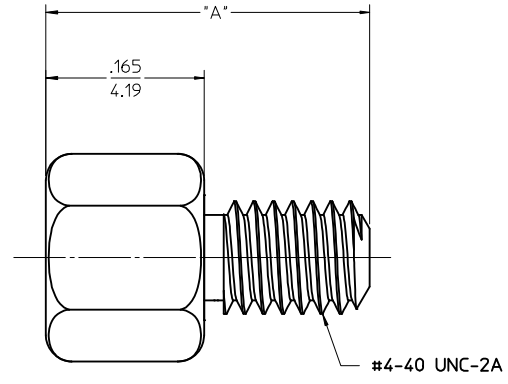
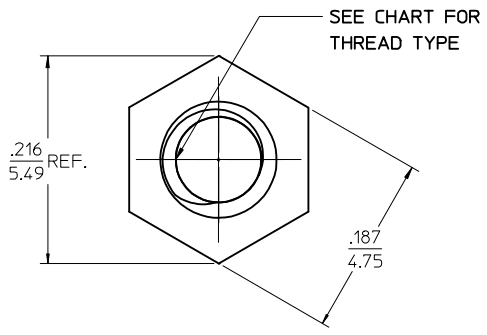
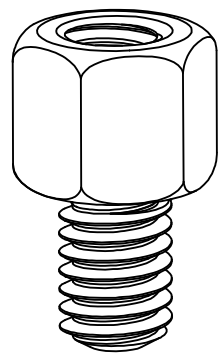
NOTES:
 1. PARTS ARE PACKAGED IN POLY BAGS CONSISTING OF 40 PIECES.
 2. INTERNAL AND EXTERNAL THREADS TO WITHSTAND A MINIMUM APPLIED TORQUE OF 5 lbf in/5.76 kgf cm.



CHANGED MATERIAL EC NO: UCP2009-2659 DRWN: JIANTELEZ 4/28/09 CHKD: 2009/06/09 APPR: MBANAKIS2009/06/09	QUALITY SYMBOLS	GENERAL TOLERANCES (UNLESS SPECIFIED)	SCALE 10:1	DESIGN UNITS INCH	THIRD ANGLE PROJECTION	REVISE ON CAD ONLY	
	▼ - 0 ∇ - 0	4 PLACES ± --- ± ---	mm INCH	DIMENSION STYLE IN/MM		TITLE TDP 3/16" HEX JACKPOST	
		3 PLACES ± --- ± .010		DRAWN BY TMCLELL	DATE 03/03/11	MOLEX INCORPORATED MATERIAL NO. SEE CHART DOCUMENT NO. SD-74962-000 SHEET NO. 1 OF 1	
		2 PLACES ± 0.25 ± ---		CHECKED BY	DATE		
		1 PLACE ± --- ± ---		APPROVED BY MBANAKIS DATE 08/11/17		THIS DRAWING CONTAINS INFORMATION THAT IS PROPRIETARY TO MOLEX INCORPORATED AND SHOULD NOT BE USED WITHOUT WRITTEN PERMISSION	
	ANGULAR ± 1/2°	DRAFT WHERE APPLICABLE MUST REMAIN WITHIN DIMENSIONS					

MAT'L NO.	INTERNAL THREAD	DIM. "A"	MATERIAL / PLATING
74962-1000	4-40 UNC-2B	.338 / 8.60	STAINLESS STEEL 303
74962-2000	M3x0.5 CLASS 6H	.338 / 8.60	
74962-3000	4-40 UNC-2B	.378 / 9.60	STAINLESS STEEL 303
74962-4000	M3x0.5 CLASS 6H	.378 / 9.60	
74962-0005	4-40 UNC-2B	.421 / 10.69	STAINLESS STEEL 303
74962-0006	M3x0.5 CLASS 6H	.421 / 10.69	

NOTES:
 1. PARTS ARE PACKAGED IN POLY BAGS CONSISTING OF 40 PIECES.
 2. INTERNAL AND EXTERNAL THREADS TO WITHSTAND A MINIMUM APPLIED TORQUE OF 5 lbf in/5.76 kgf cm.

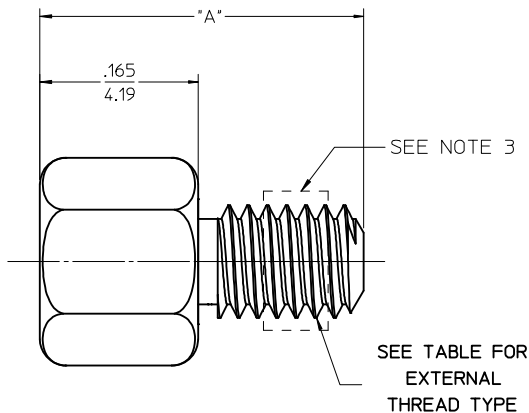
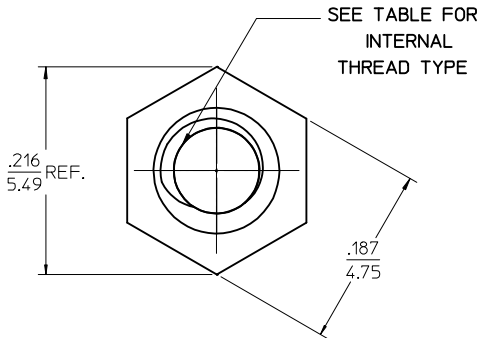
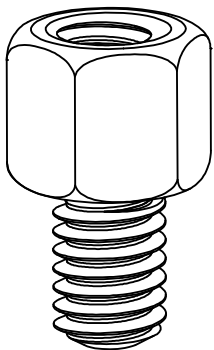


INITIAL RELEASE EC NO: UCP2015-0921 DRWN:TIBARRA 2014/08/01 CHKD:MPOFF 2014/08/29 APPR:SMILLER 2014/09/04	QUALITY SYMBOLS ▽=0 ▽=0 ▽=0	GENERAL TOLERANCES (UNLESS SPECIFIED)		DIMENSION STYLE	SCALE	DESIGN UNITS	THIRD ANGLE PROJECTION	
				IN/MM	10:1	INCH		
				mm	INCH	DRAWN BY	DATE	TITLE
						TIBARRA	2014/08/01	TDP 3/16" HEX JACKPOST
				CHECKED BY	DATE			
				MPOFF	2014/08/29			
				APPROVED BY	DATE			
				SMILLER	2014/09/04			
				MATERIAL NO.	DOCUMENT NO.			
				SEE TABLE	SD-74962-1000			
				THIS DRAWING CONTAINS INFORMATION THAT IS PROPRIETARY TO MOLEX INCORPORATED AND SHOULD NOT BE USED WITHOUT WRITTEN PERMISSION				

13	12	11	10	9	8	7	6	5	4	3	2	1
MAT'L NO.	INTERNAL THREAD	EXTERNAL THREAD	DIM. "A"	MATERIAL / PLATING								
74962-1110	4-40 UNC-2B	4-40 UNC-2A	.338 / 8.60	STAINLESS STEEL 303 / NYLON TORQUE PATCH								

NOTES:

1. PARTS ARE PACKAGED IN POLY BAGS CONSISTING OF 40 PIECES.
2. INTERNAL AND EXTERNAL THREADS TO WITHSTAND A MINIMUM APPLIED TORQUE OF 5 lbf in/5.76 kgf cm.
3. NYLOK® TORQUE PATCH LOCATED TO THE LEFT OF THE FIRST OR SECOND FULL THREADS AND COVERS 3 THREADS MINIMUM.



MOD NOTE 3 EC NO: UCP2016-1139 2015/09/14 DRWN:TIBARRA 2015/09/14 CHKD:MCAN 2015/09/14 APPR:SMILLER 2015/09/17	QUALITY SYMBOLS	GENERAL TOLERANCES (UNLESS SPECIFIED)		DIMENSION STYLE	SCALE	DESIGN UNITS	THIRD ANGLE PROJECTION
	▽=0	mm	INCH	IN/MM	10:1	INCH	
	▽=0	4 PLACES ± ---	± ---	TIBARRA 2015/07/09	TITLE		
	▽=0	3 PLACES ± ---	± .010	CHECKED BY DATE	TDP 3/16" HEX JACKPOST WITH TORQUE PATCH		
		2 PLACES ± 0.25	± ---	DMORGAN 2017/07/09	molex		
		1 PLACE ± ---	± ---	APPROVED BY DATE	DOCUMENT NO.		
		0 PLACE ±	±	SMILLER 2015/08/14	SD-74962-1110		
		ANGULAR ±1/2°		MATERIAL NO.	SHEET NO.		
		DRAFT WHERE APPLICABLE MUST REMAIN WITHIN DIMENSIONS		SEE TABLE	1 OF 1		
		THIS DRAWING CONTAINS INFORMATION THAT IS PROPRIETARY TO MOLEX INCORPORATED AND SHOULD NOT BE USED WITHOUT WRITTEN PERMISSION					