



PRODUCT DATASHEET

Rose series

last update 25/11/2016

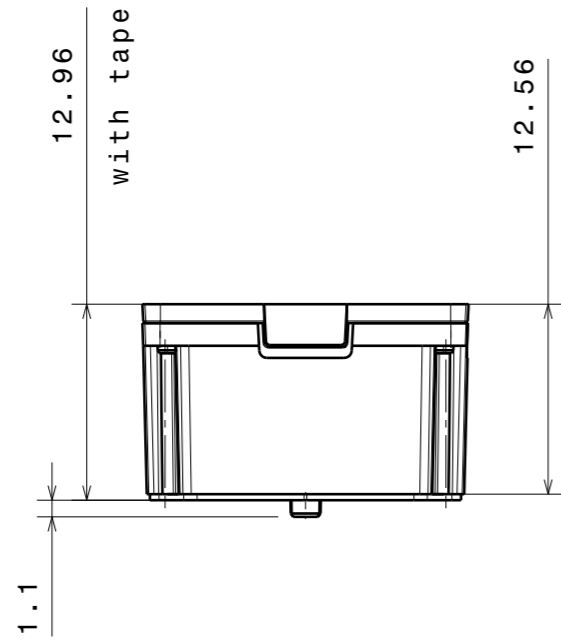
DETAILS

Product Number	FA15229_ROSE-MRK-S
Family	Rose
Type	Assembly
Color	white
Diameter	21,6 x 21,6 mm
Height	12,95 mm
Style	square
Optic Material	PC
Holder Material	
Fastening	tape, pin
Status	production ready
ROHS Compliant	Yes
Date Updated	25/11/2016

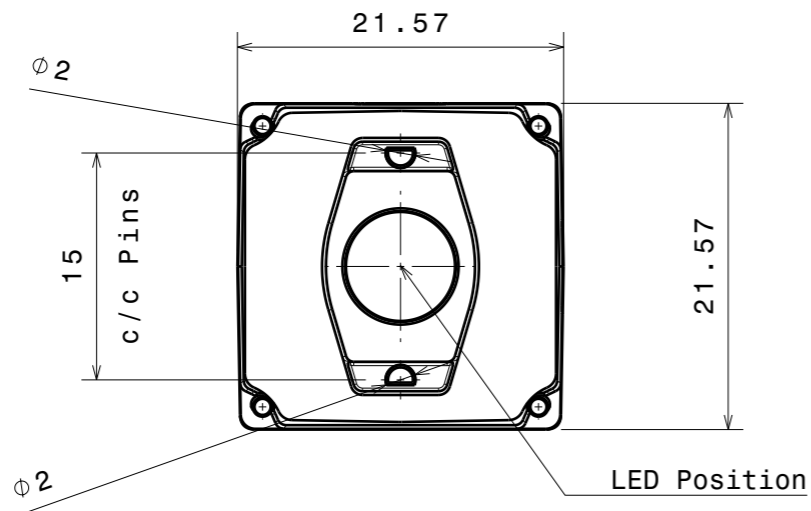


OPTICAL PROPERTIES

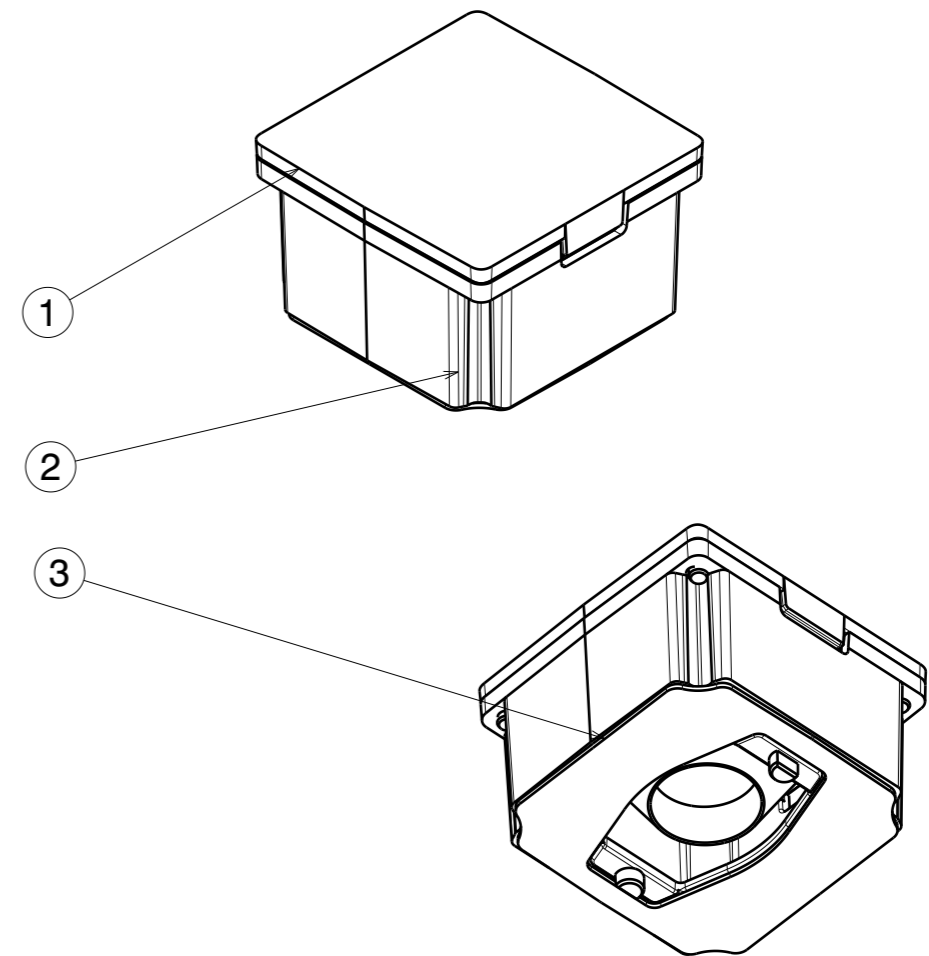
	Viewing	Light	Effi-		
LED	Angle	Beam	ciency	cd/lm	Connector
LUXEON M/MX	29 deg	Spot	86 %	2.170	-



Front view



Bottom view



Isometric view

FA15229	ROSE-MRK-S
FA15232	ROSE-MRK-M
FA15233	ROSE-MRK-W

INDEX	PART NO	DESCRIPTION	MATERIAL	COLOUR
1	-	ROSE-MRK S/M/W	PC	clear
2	F14946	ROSE-Lt-HLD-MRK	PC	white
3	F14629	ROSE-TAPE	two-sided adhesive foam tape	

Tolerances if not otherwise shown
 According to DIN ISO 2768-1
 Linear measures:
 Up to 30mm class M, otherwise class C.
 According to DIN ISO 2768-2
 Form and position: class L

LEDiL LediL Oy
 Salorankatu 10
 FIN 24240 SALO
 Finland

THIRD ANGLE PROJECTION:

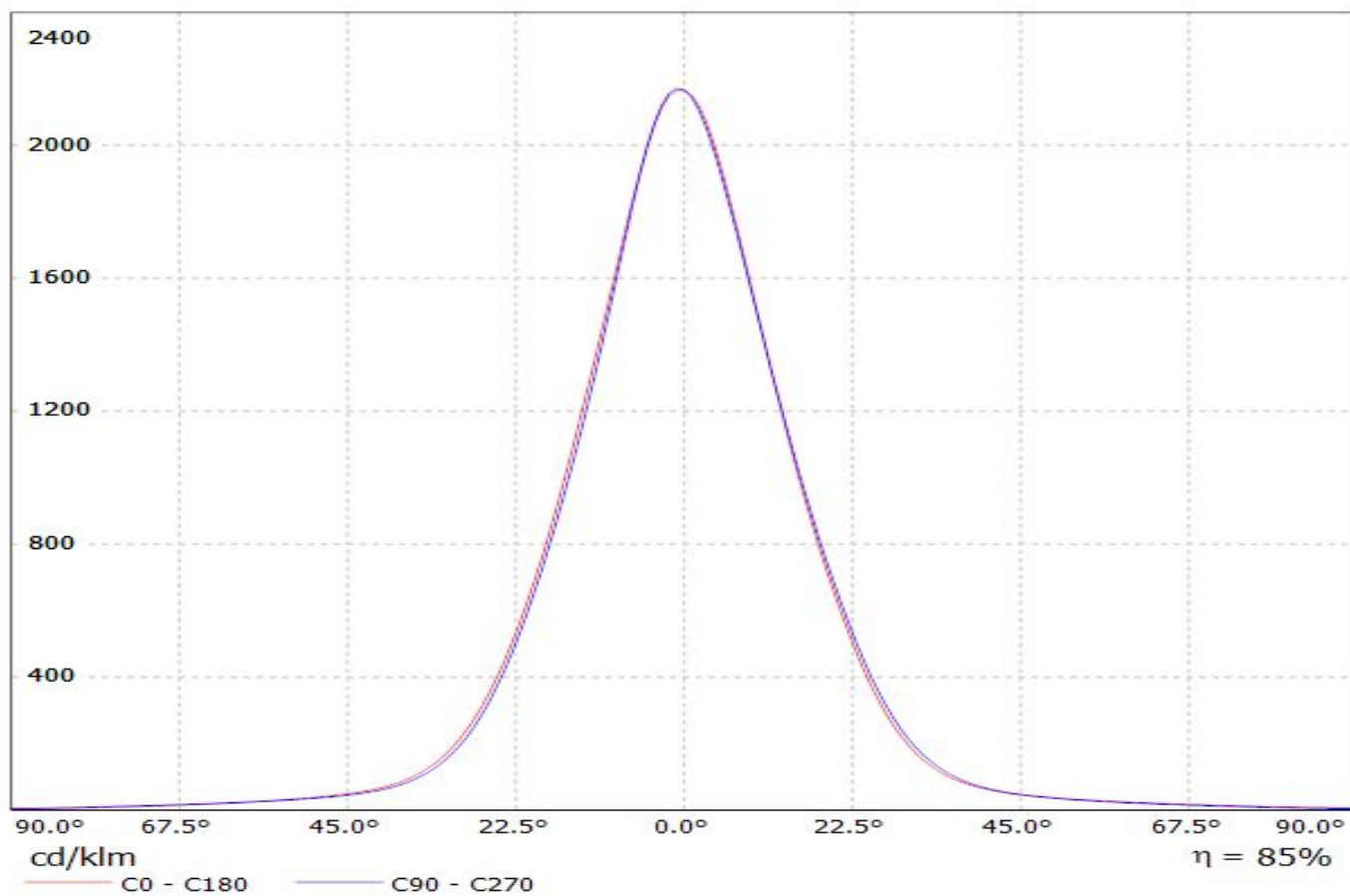
DRAWING TITLE
ROSE-MRK MechanicalDrawing

This drawing is the property
 of LEDiL Oy. It may not be
 reproduced, copied or
 communicated without a written
 agreement with LEDiL Oy.

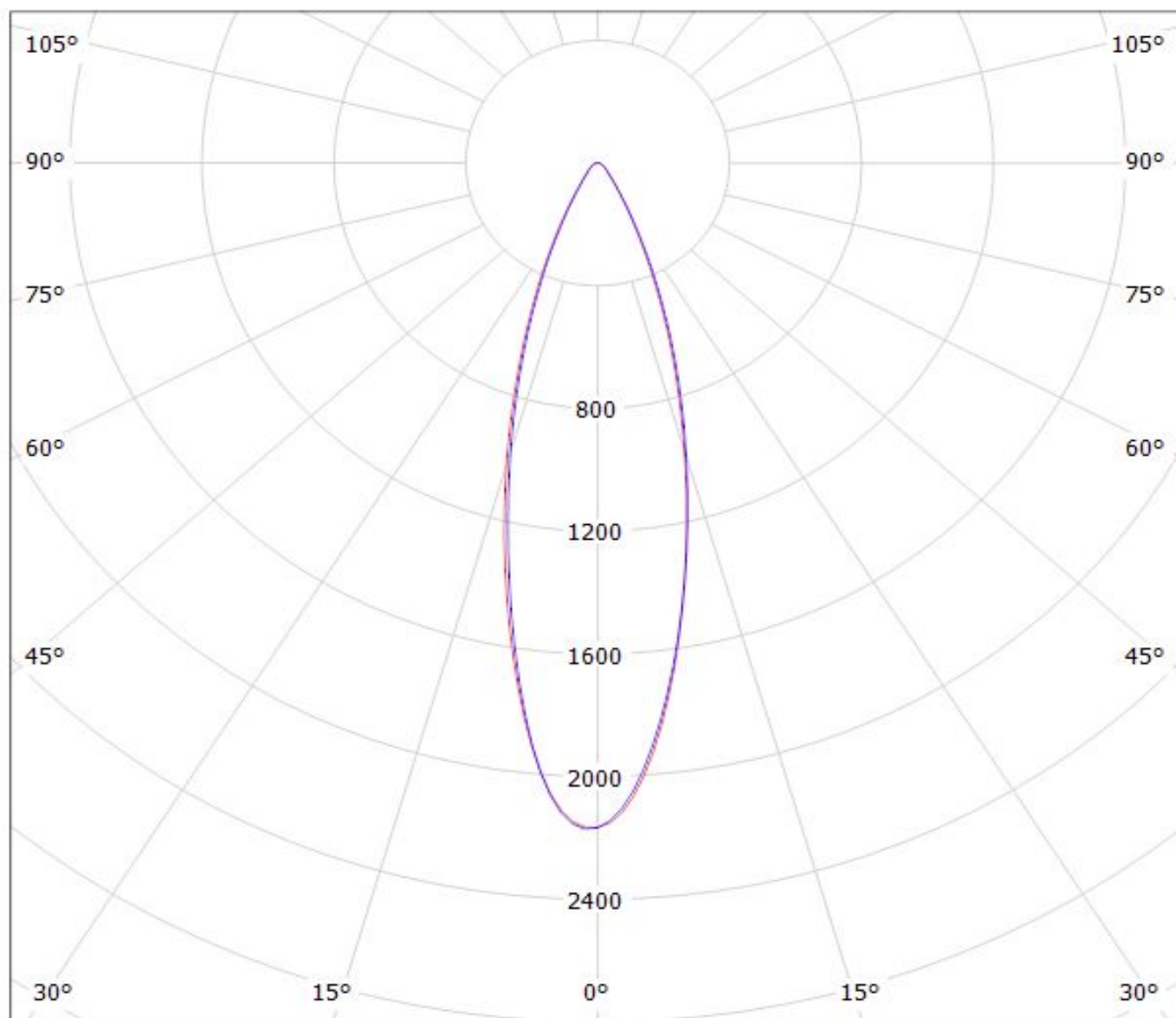
SIZE PART NUMBER
A3 FA15229/FA15232/FA15233

SCALE 2:1 WEIGHT - SHEET 1/1

Luminaire: LEDiL Oy F14951_ROSE-MRK-S_(Luxeon_M)_C3
Lamps: 1 x Luxeon_M_(LXR8-SW40)_382.455lm@250mA_P=2.77478W_I=0.250A



Luminaire: LEDiL Oy F14951_ROSE-MRK-S_(Luxeon_M)_C3
Lamps: 1 x Luxeon_M_(LXR8-SW40)_382.455lm@250mA_P=2.77478W_I=0.250A



cd/klm

— C0 - C180 — C90 - C270

$\eta = 85\%$

NOTE: The typical divergence will be changed by different color, chip size and chip position tolerance. The typical total divergence is the full angle measured where the luminous intensity is half of the peak value.