



QorIQ® LS1046A Reference Design Board

The LS1046A reference design board (RDB) is a high-performance computing, evaluation, and development platform that supports the QorIQ LS1046A, a processor with four 64-bit ARM® Cortex®-A72 cores that supports packet processing acceleration and high-speed peripherals.

PROCESSOR OVERVIEW

The impressive performance of more than 32,000 CoreMarks®, paired with 10 Gbit Ethernet, PCIe Gen. 3, SATA 3.0, USB 3.0 and QSPI interfaces provides a perfect combination for a range of enterprise and service provider networking, storage, security and industrial applications. The LS1046A and LS1026A are available in a 23 x 23 mm package and are pin-compatible with the LS1023A, LS1043A and LS1088A SoCs, offering unprecedented performance scaling for 64-bit ARM processors, ranging from dual-A53 through octal-A53 to quad-A72 core processors, while maintaining hardware and software compatibility. This flexible scaling enables customers to leverage their existing software and reuse hardware design for faster time-to-market.

REFERENCE DESIGN BOARD

The LS1046A reference design board (RDB) is a high-performance computing, evaluation, and development platform that supports the QorIQ LS1046A communications processor. The RoHS-compliant lead-free and LS1046ARDB board is optimized to support DDR4 memory and a full complement of high-speed SerDes ports.

BOARD HARDWARE FEATURES

Processor

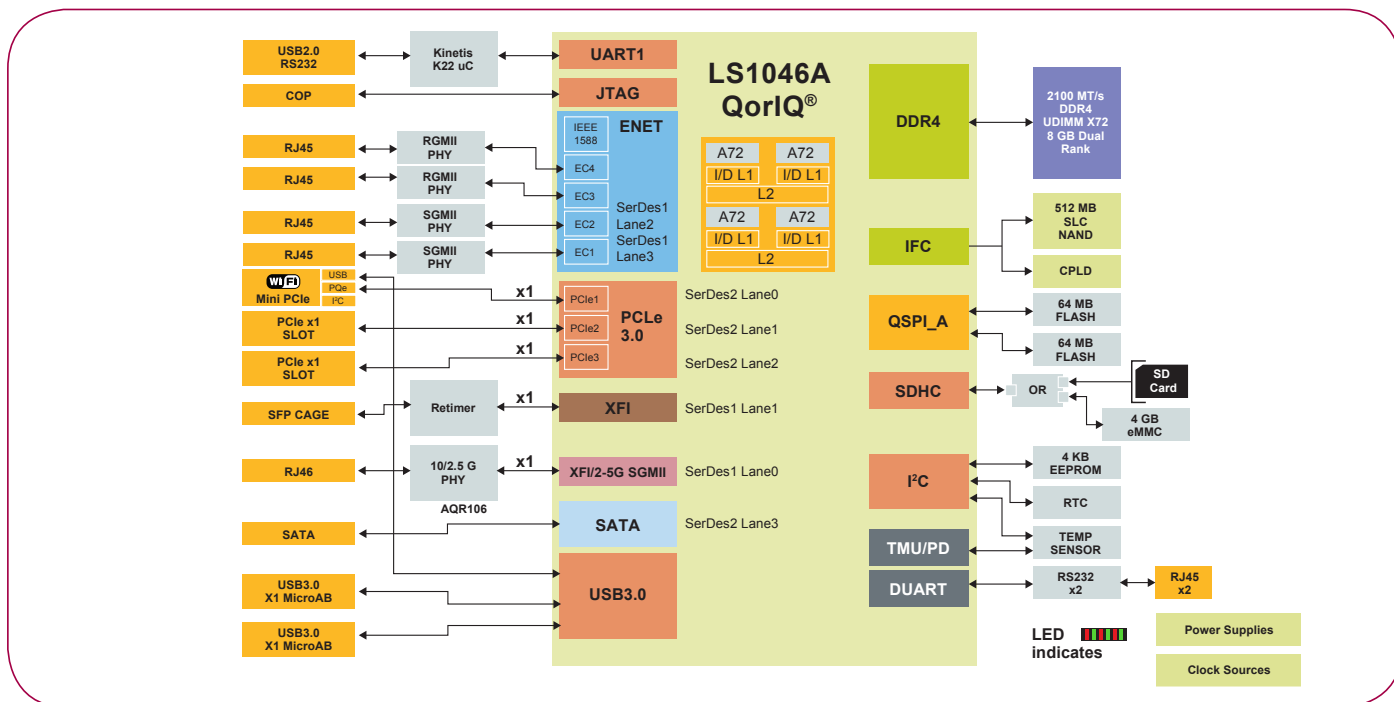
- ▶ Four 32-/64-bit Cortex v8-A72 CPUs with, up to 1.6 GHz core speeds

Memory

- ▶ Supports 8 GB DDR4 SDRAM memory
- ▶ Supports double-bit error detection and single-bit error correction ECC (8-bit check word across 64-bit data)
- ▶ Supports data rate up to 2100 MT/s
- ▶ Provides one 288-pin DDR4 DIMM connector
- ▶ DIMM connector supports unbuffered X72 8 GB dual rank
- ▶ SDHC port connects directly to an adapter card slot, featuring 4 GB eMMC memory device
- ▶ One 512 MB SLC NAND flash with ECC support (1.8 V)
- ▶ CPLD connection: 8-bit registers in CPLD to configure mux/demux selections
- ▶ Support two 64 MB onboard QSPI NOR flash memories



QORIQ LS1046A-RDB BLOCK DIAGRAM



USB

- ▶ Two USB 3.0 controllers with integrated PHYs
- ▶ One USB 3.0 port is connected to a Type A host connector
- ▶ One USB 3.0 port is configured as On-The-Go (OTG) with a Micro-AB connector
- ▶ One USB2.0 is connected to Mini PCIe connector

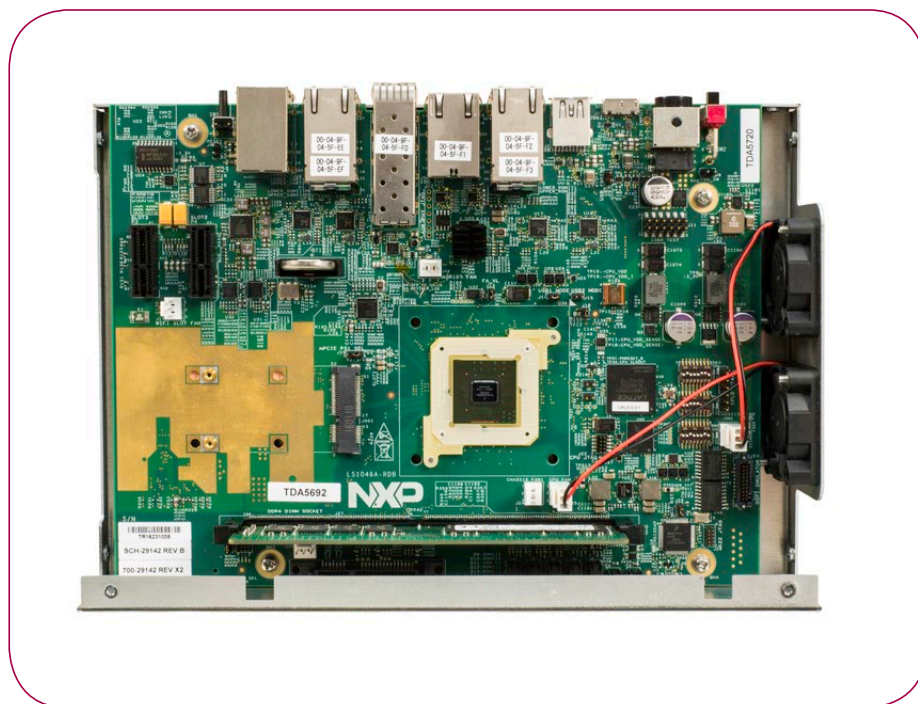
Ethernet

- ▶ Supports SGMII 1 G PHYs at Lane 2 and Lane 3
- ▶ Supports SFP+ module with XFI retimers
- ▶ Supports AQR106/107 10 G PHY with XFI/2.5G SGMII

PCI Express and SATA

- ▶ Mini PCIe x1 (Gen1/2/3) card
- ▶ Standard PCIe x1 (Gen1/2/3) card
- ▶ Standard PCIe x1 (Gen1/2/3) card
- ▶ One SATA 3.0 connector

QORIQ LS1046A-RDB BOARD



HARDWARE KIT CONTENTS

The LS1046ARDB hardware kit contains:

- ▶ A LS1046ARDB kit enclosure
- ▶ A DB9 to UART (RJ45) cable
- ▶ Ethernet cable, straight through wiring, 6 ft. min., RoHS compliant
- ▶ A USB Micro-B to Type-A cable
- ▶ A USB3.0 Micro-B male to USB3.0 Type-A female cable
- ▶ A 110-240 V AC, 12 V DC 8 A AC-DC power adapter
- ▶ Universal AC input adaptors
- ▶ A SATA cable (with 22 pins) and power combo cable

- ▶ A USB stick that contains the board design files
- ▶ A Getting Started Guide
- ▶ Finisar® FTLX8571D3BCL SFP + module x 1

SDK ENABLEMENT

- ▶ Boot loader
 - Boot from flash, disk (IFC, NAND, I²C, SPI)
 - UEFI, uboot Secure Boot support
- ▶ Linux®
 - Linux platform (32-bit/64-bit), real-time support (RT patch)
 - Linaro® ODP support
 - DPDK support

- ▶ Datapath
 - Production fast path modules:
 - Intelligent forwarding offload, NAT+firewall
 - IPv6, NAT, IPSEC VPN
 - Enablement libraries
- ▶ Virtualization
 - Standard KVM support; Linux containers, I/O virtualization
- ▶ Tools
 - CodeWarrior®, for 64-bit ARM (including 32-bit mode), GNU tool chain

PRODUCT READY SOFTWARE SOLUTIONS

Product	Linux OpenWRT	BHR ASK	NAS ASK
Solutions	<ul style="list-style-type: none"> • U-Boot • BSPs • Linux Kernel (3.19) • Linux file system • Application drivers • Binary for packet forwarding engine 	<ul style="list-style-type: none"> • Small business router • Next gen. broadband router • Integrated services • Enterprise access point • Security gateway 	<ul style="list-style-type: none"> • Personal storage • Wireless personal storage • Chip on drive • NAS
Availability	Now	Early access release now	Early access release now
ASK licensing	\$100,000		
KE1 Support plans 5Z	Starting at \$25,000 (100 hours/12 months)		

To evaluate the application solutions kit please go to www.nxp.com/LS1046A and select Software and Tools tab, and chose the ASK that you want to evaluate.

www.nxp.com/LS1046A

NXP, the NXP logo, CodeWarrior, Layerscape and QorIQ are trademarks of NXP B.V. All other product or service names are the property of their respective owners. ARM and Cortex are registered trademarks of ARM Limited (or its subsidiaries) in the EU and/or elsewhere. All rights reserved. © 2016 NXP B.V.

Document Number:
LS1046ARDBA4FS REV 0