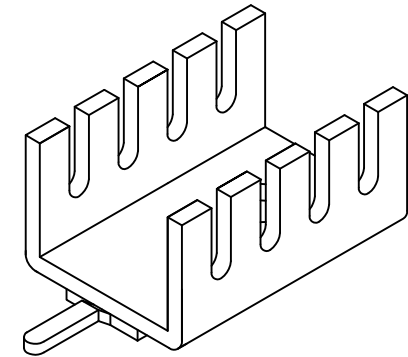
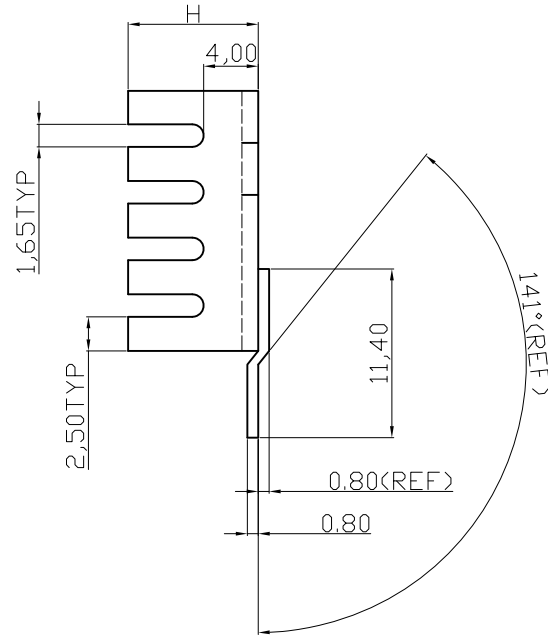


PIN MATERIAL:BRASS TIN PLATED



Notes  
Material : ALUMINUM 1100 T=1.2  
Finished : Black anodize

Option	H	Thermal resistance
④ V7237A	6.35	28
V7237B	9.53	24
V7237C	12.70	21

**RoHS compliant**  
Unit: mm

Scale	FREE					Date	Name	Customer-No.
TOLERANCE		⑤	Change production plant	31.10.2013	Amy	Drawn	08.03.2002	ASSMANN WSW-No. <b>V7237x</b>
UNIT	±0.2	④	Add P/N	21.10.2013	A.Platt	Approved	31.10.2013	
		③	Modify drawing layout	10.03.2010	Alex			
DIM	TOL	②	Update	11.08.2009	Dean			Drawing-No.
X.°	±X°	①	Drawn	08.03.2002	Hellwig			ASS 0513 HS
Angle	TOL	Id.	Modification	Date	Name	Replace	Sheet	

1

2

3

4

5

6

7