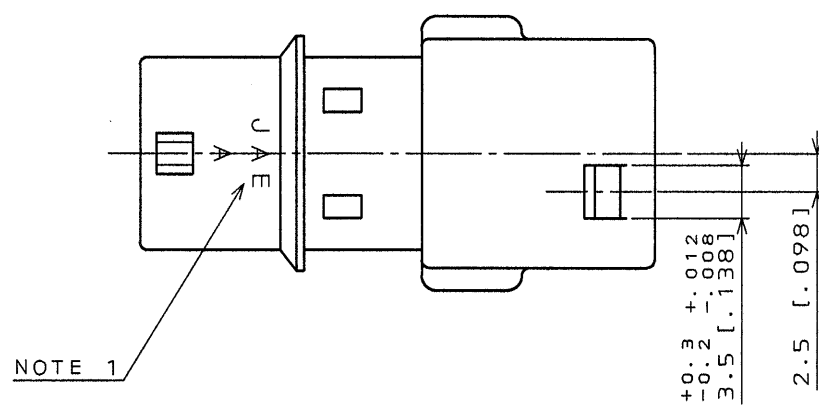
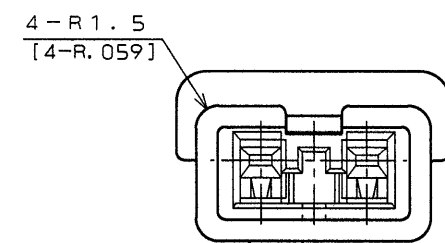
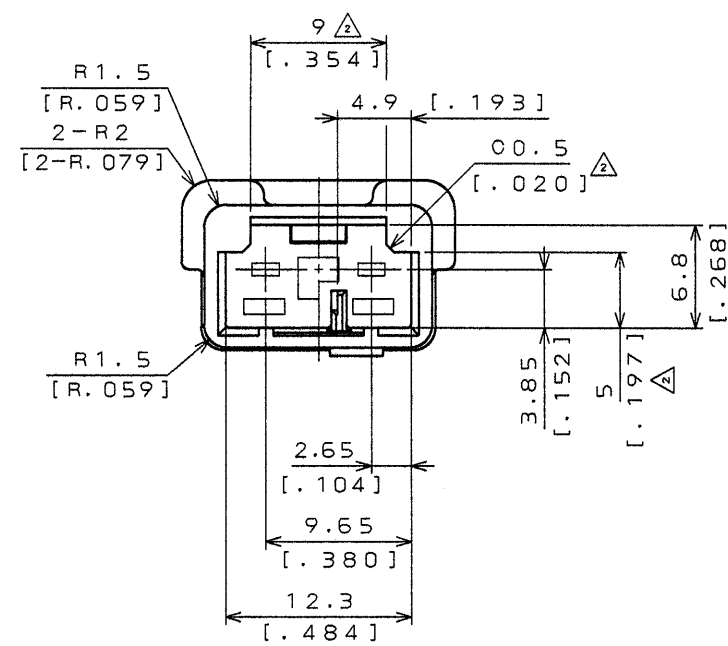
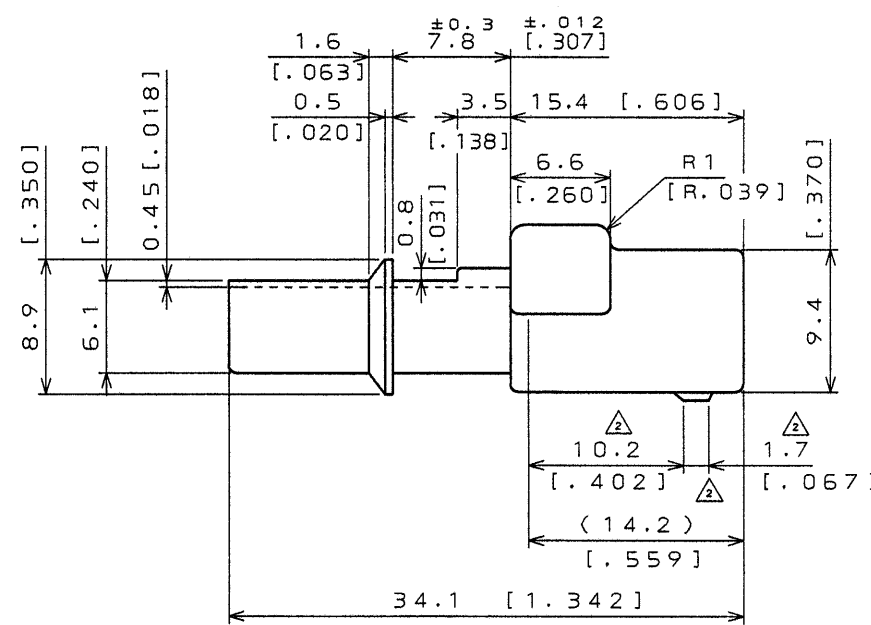
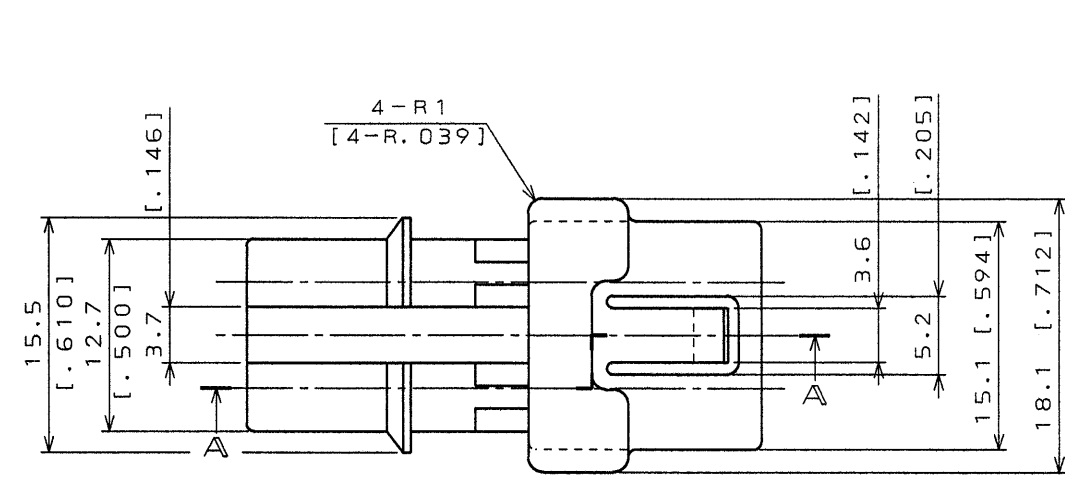
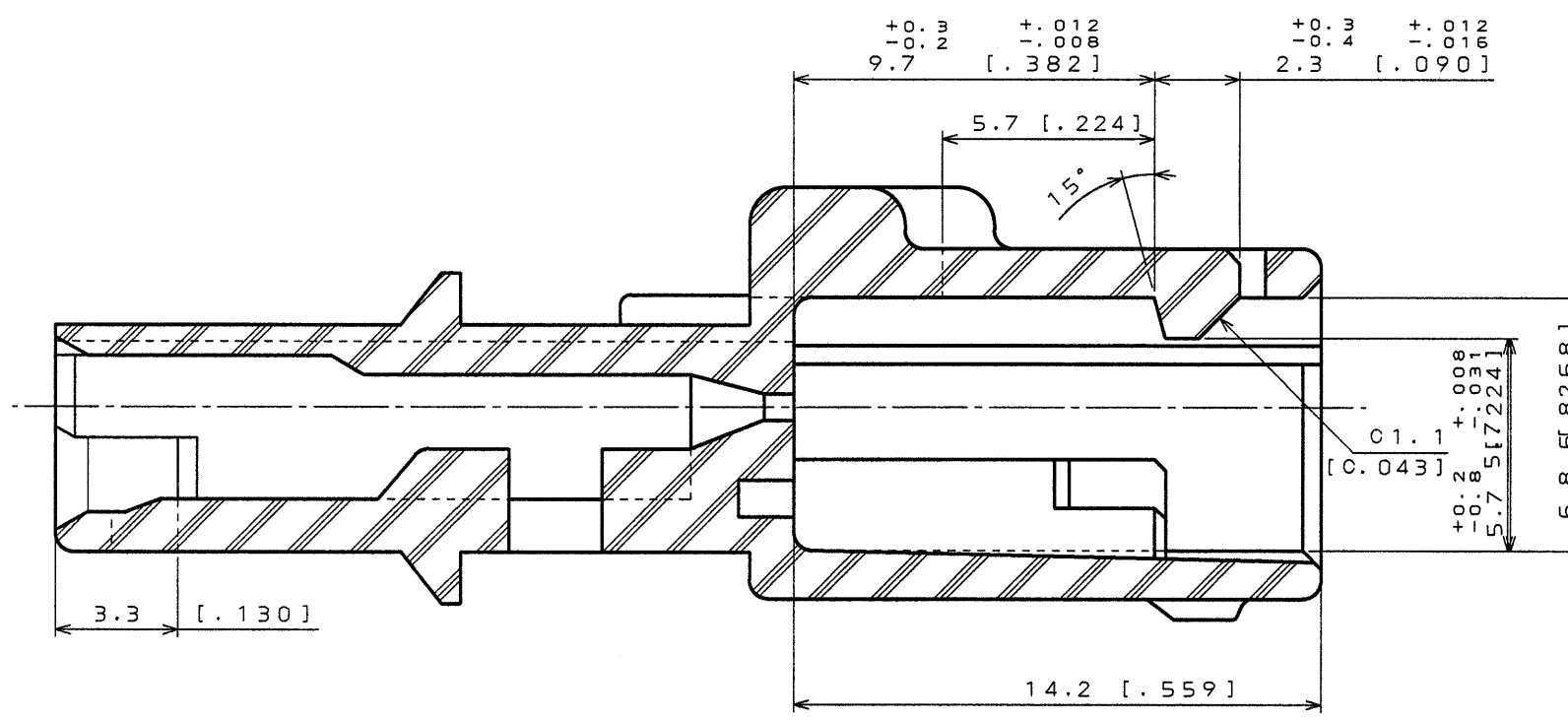


SYM.	DCN NO.	DESCRIPTION	DATE	DRAWN	CHECKED	APP'D	APP'D
2	34604	CHANGED FORM	27. May '94		SHINMYO	T. Totani	



NOTE 1



SECTION A-A  
(SCALE 5/1)

NOTE 1. COMPANY LOGO "JAE" & TOOLING MARK APPEARS IN RAISED LETTERS.

2. TOLERANCES (DIMENSION:X)

.X ≤ 10	: ±0.2
[.394]	[±.008]
.10 < X ≤ 30	: ±0.5
[.394] [1.181]	[.020]
.30 < X ≤ 100	: ±1
[1.181] [3.937]	[.039]

SPECIAL CONTROL ITEM  
MX9

DIMENSIONS ARE IN MILLIMETERS  
TOLERANCES ON: (INCHES)

DIMENSION	ANGLES
. ±	X° ±
.X ±	XX' ±
.XX ±	CONCENTRICITY
.XXX ±	WITHIN T.I.R.

ITEM	DESCRIPTION	Q'TY	MATERIAL	FINISH	REMARKS
REFERENCE DOCUMENT	DATE	SCALE	JAE CONNECTOR.COM		
	23. May '94	1	Reference Only		
DRAWN	M. OOWA	TITLE			
CHECKED	SHINMYO	MX9-2PC			
APP'D		SERIES			
APP'D	I. IIMORI	MX9			
					MUSASHINO, AKISHIMA-SHI TOKYO, JAPAN
					DWG. NO.
					SJ028347-E