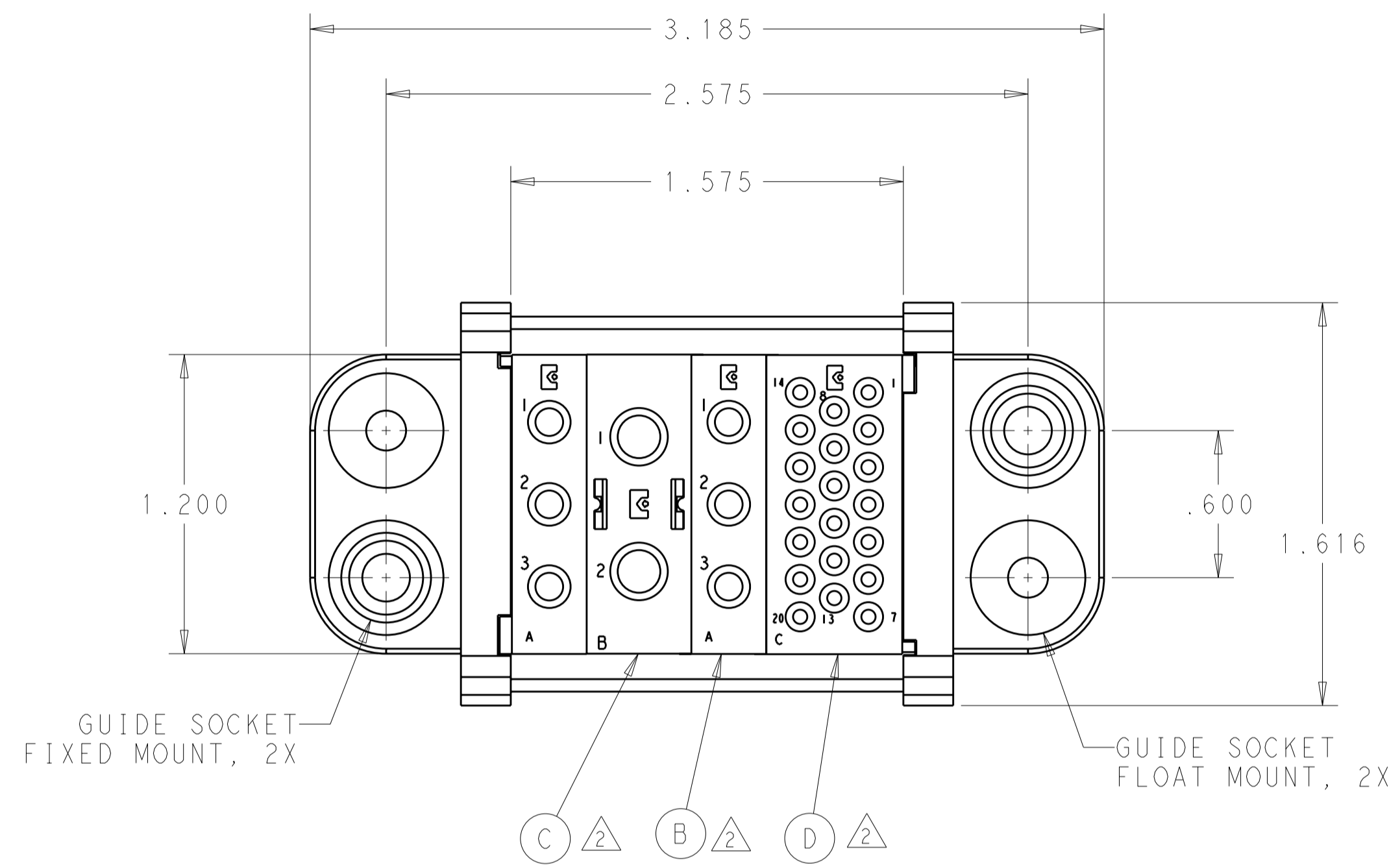
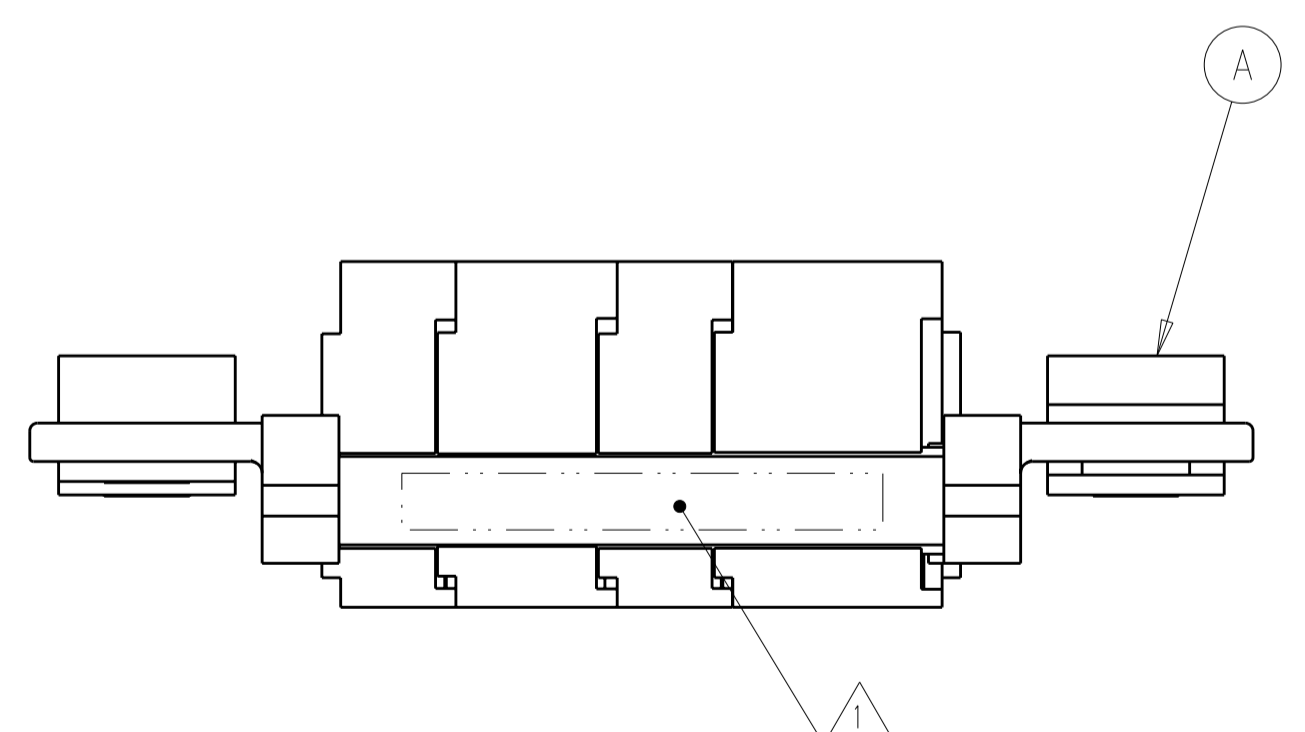


THIS DRAWING IS UNPUBLISHED. RELEASED FOR PUBLICATION 20  
 © COPYRIGHT 20 TE ALL RIGHTS RESERVED.

LOC	DIST	REVISIONS					
GP	00	P	LTR	DESCRIPTION	DATE	DWN	APVD
		B		REV PER ECO-11-020271	07OCT2011	RG	DO



- 1 ITEMS PROVIDED TO THIS SPECIFICATION TO BE PERMANENTLY IDENTIFIED PER THE FOLLOWING IDENTIFIER:  
 TE PART NUMBER AND MANUFACTURING DATE CODE
- 2 MODULES ARE FOR CRIMP STYLE REMOVABLE CONTACTS (ITEMS E, F AND G). THEY ARE PACKAGED SEPARATELY WITH AN INSERTION/ REMOVAL TOOL AND WILL BE SHIPPED LOOSE WITH THE ASSEMBLY.
- 3 MOUNTING FLANGE BUSHING ACCEPTS 6/32 SCREW (Ø .156 CLEARANCE HOLE, FLOAT MOUNT) OR 8/32 SCREW (Ø .173 CLEARANCE HOLE, FIXED MOUNT) USER SUPPLIED.
- 4. CONNECTOR MATES WITH P/N 2085848-1



20	1648325-1	SOCKET CONTACT, SIZE No. 20, CRIMP	G
6	6648318-1	SOCKET CONTACT, SIZE No. 12, CRIMP	F
2	6648317-1	SOCKET CONTACT, SIZE No. 8, CRIMP	E
1	1648468-1	MODULE "C"	D
1	1648467-1	MODULE "B"	C
2	1648466-1	MODULE "A"	B
2	6648252-1	END CAP, GUIDE SOCKET, FLOAT	A
-1	PART NO.	DESCRIPTION	ITEM

**ELCON DOMINO**

THIS DRAWING IS A CONTROLLED DOCUMENT.

DWN: R. GRZYBOWSKI 12AUG2011  
 CHK: D. ORRIS 12AUG2011  
 APVD: D. ORRIS 12AUG2011

**STE** TE Connectivity

NAME: SOCKET CONNECTOR ASSEMBLY W/ PANEL CUT-OUT DOMINO

SIZE: A2 CAGE CODE: 00779 DRAWING NO: 2085849 RESTRICTED TO: -

MATERIAL: - WEIGHT: -

CUSTOMER DRAWING SCALE: 2:1 SHEET 1 OF 2 REV B

4

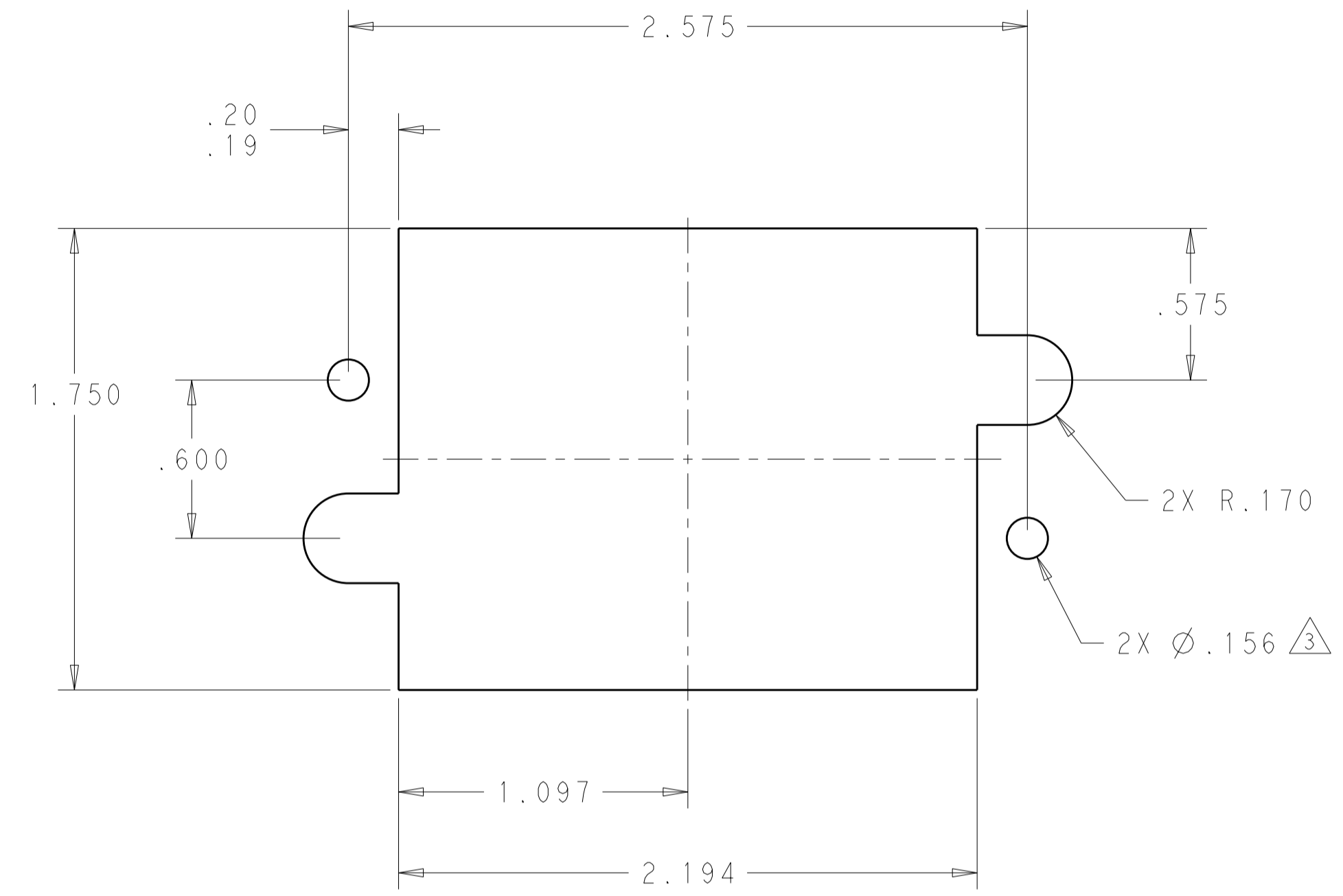
3

2

1

THIS DRAWING IS UNPUBLISHED.      RELEASED FOR PUBLICATION      20  
 © COPYRIGHT 20      TE      ALL RIGHTS RESERVED.

LOC	DIST	REVISIONS			
P	LTR	DESCRIPTION	DATE	DWN	APVD
GP	00	-	SEE SHEET 1	-	-



SOCKET PANEL MOUNT CUT-OUT

**ELCON DOMINO**

THIS DRAWING IS A CONTROLLED DOCUMENT.		DWN R. GRZYBOWSKI 12AUG2011	<b>STE</b> TE Connectivity	
DIMENSIONS: INCHES		CHK D. ORRIS 12AUG2011		
TOLERANCES UNLESS OTHERWISE SPECIFIED:		APVD D. ORRIS 12AUG2011	NAME SOCKET CONNECTOR ASSEMBLY W/ PANEL CUT-OUT DOMINO	
0 PLC ± 1 PLC ± 2 PLC ±.02 3 PLC ±.010 4 PLC ± ANGLES ± FINISH		PRODUCT SPEC - APPLICATION SPEC -	SIZE A200779	DRAWING NO C-2085849
MATERIAL -		WEIGHT -	RESTRICTED TO -	SCALE 2:1 SHEET 2 OF 2 REV B
CUSTOMER DRAWING				