

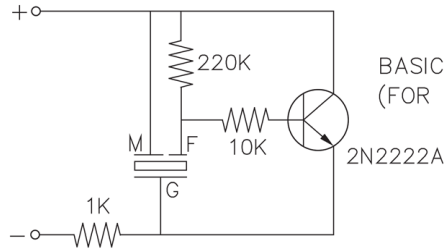
# SPECIFICATIONS

PARAMETERS	VALUES	UNITS
RATED VOLTAGE	12	Vp-p
OPERATING VOLTAGE RANGE	3 ~ 18	Vp-p
RATED CURRENT (MAX)	8	mA
COIL RESISTANCE	11,000 ± 30%	OHM
MINIMUM SPL @ 10 CM	90	dB
RESONANT FREQUENCY	3,600 ± 500	Hz
OPERATING TEMPERATURE	-20 ~ +60	°C
STORAGE TEMPERATURE	-30 ~ +70	°C
HOUSING MATERIAL	ABS	-
TERMINAL MATERIAL	Sn PLATED PHOSPHOR BRONZE	-
WEIGHT	3.8	grams

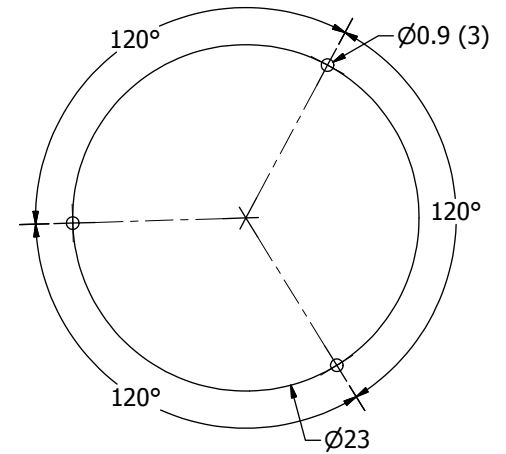
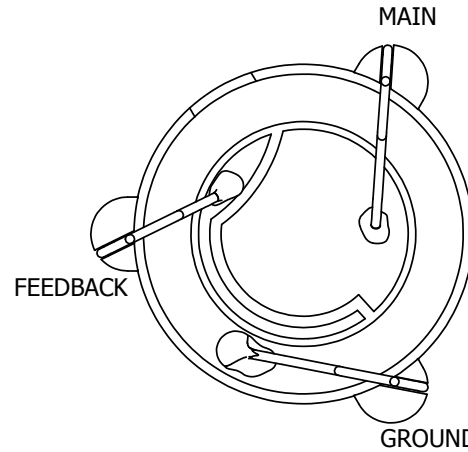
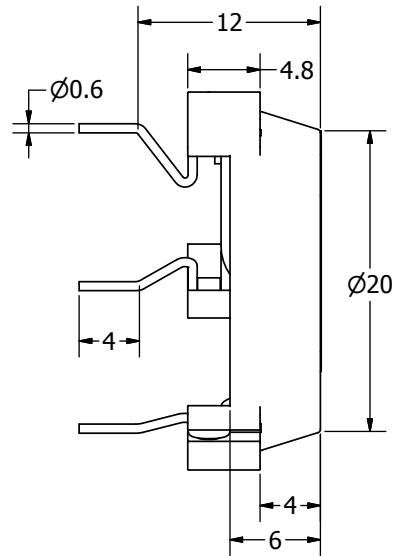
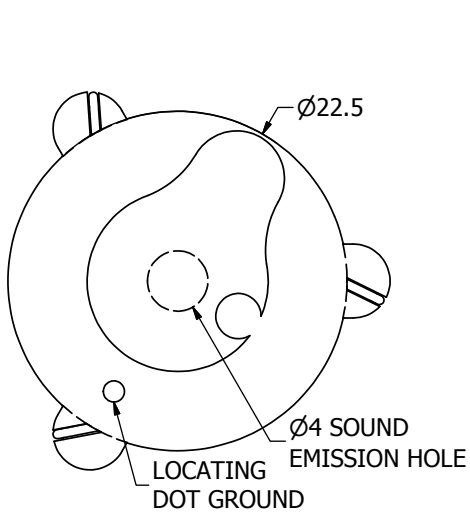
THIS DOCUMENT CONTAINS DATA PROPRIETARY TO PROJECTS UNLIMITED, INC. ANY USE OR REPRODUCTION, IN ANY FORM, WITHOUT PRIOR WRITTEN PERMISSION OF PROJECTS UNLIMITED, INC. IS PROHIBITED.  
©2003, Projects Unlimited Inc.

# REVISION HISTORY

LTR	DESCRIPTION	DATE	APPROVED
-	RELEASED FROM ENGINEERING	8/25/2005	
A	REVISED BASIC TEST CIRCUIT	1/4/2006	B.R.
B	REVISED TO INVENTOR 3-D DRAWING TEMPLATE	10/1/2008	B.R.

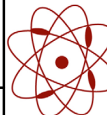


BASIC DRIVING CIRCUIT  
(FOR TESTING ONLY)



### NOTES:

1. ALL DIMENSIONS ARE IN MILLIMETERS.
2. SPECIFICATIONS SUBJECT TO CHANGE OR WITHDRAWAL WITHOUT NOTICE.
3. THIS PART IS RoHS 2002/95/EC COMPLIANT.

UNLESS OTHERWISE SPECIFIED: DIMENSIONS ARE IN MILLIMETERS, TOLERANCES ARE ±0.5 AND ANGLES ARE ±3°.	SIZE <b>A3</b>	Designed by	Date	Checked by	Date	Approved by	Date	Drawn Date
		J.A.F.	8/25/2005	B.R.	8/25/2005	E.P.	8/25/2005	10/1/2008
AT-2336-TWT-R.idw		 <b>pui audio</b> a projects unlimited company				<b>AT-2336-TWT-R</b> Transducer (Electro-Mech)		
						Edition	Sheet	
						-	1 / 1	