



Mallory Sonalert Products, Inc.

Part #: **ZA028LDSU2**

Sales Outline Drawing

Revision: **A**

Specifications:

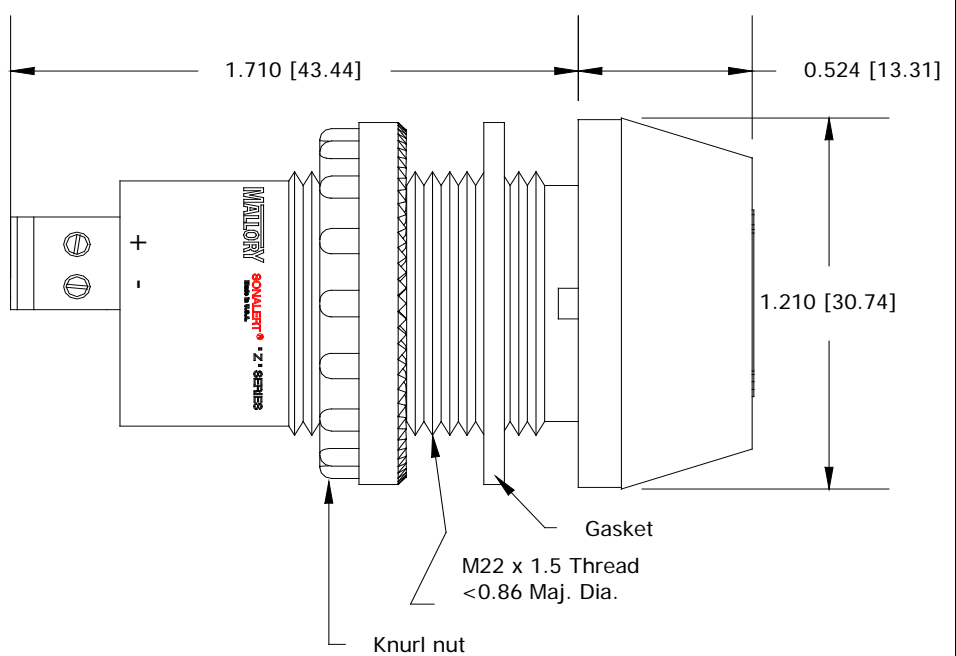
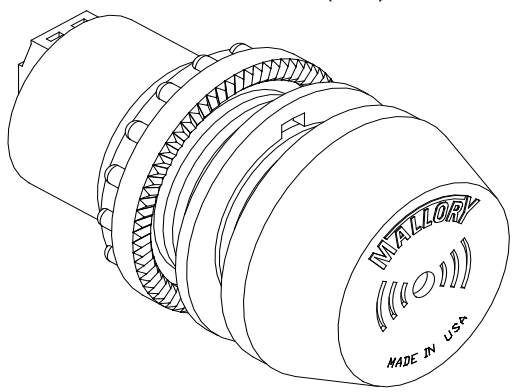
| | |
|-----------------------|---|
| Sound Level Category | Loud |
| Mode of Operation | Fast Speed Up @ 0.5 -8 PPS in 30 Seconds |
| Voltage Rating | 16 to 28 VDC |
| Frequency | 3300 ± 500 Hz |
| Loudness @ 2 FT | 85 to 95 dB(A) Typ. |
| Current Draw | 40mA MAX |
| Housing Material | 6/6 Nylon, Color: Black |
| Storage Temperature | -40° to +55° C |
| Operating Temperature | -30° to +50° C |
| Panel Mounting | Recommended hole size is 22.5 mm. Thread front will fit standard 22.5mm hole. |
| Knurled Nut | Used to attach part to panel. The max recommended torque is 10 in-lbs. |
| Weight (Typical) | 28 g |
| NEMA 3R,4X, & 12 | Approved with use of included gasket. |
| Options | Please contact factory. |

Dimensions:

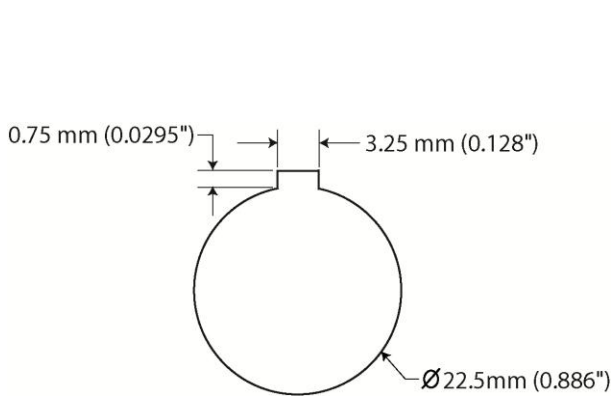
Inches (mm)

cUL Recognized

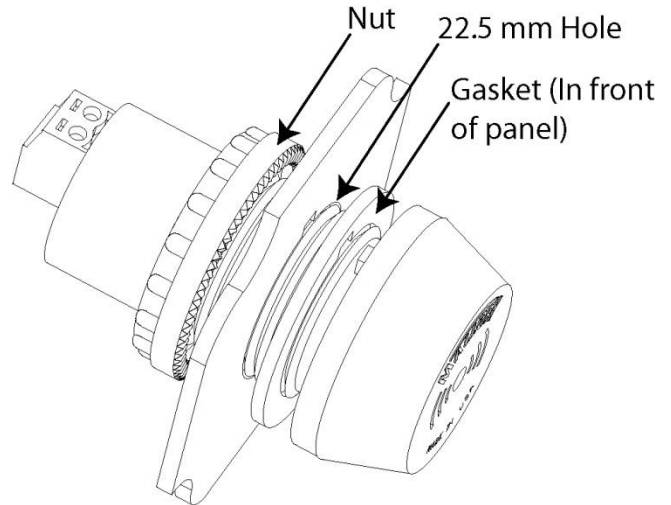
ROHS Compliant



Mounting Instructions:



Panel Hole Cut Out



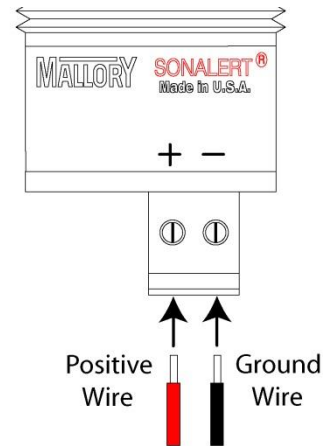
- **Panel Hole Size:** 22.5 mm with Keyway
- **Maximum Panel Thickness:** 12.7 mm (0.5 in)
- **Maximum Nut Torque:** 10 in-lbs (1.13 n-m)

Electrical Connection:



DC
ONLY

AC/DC



- **Wire Strip Length:** 6.5 mm (0.256 in)
- **Wire Size:** 30 to 16 AWG
- **Maximum Screw Torque:** 2 in-lbs (0.226 n-m)



MALLORY SONALERT PRODUCTS, INC.

ZA Series- 22mm Panel Alarms

Certifications:

- **RoHS; cUL; NEMA 3R/4X/12; IP-66; CSA 22.2 No. 94**
 - Included gasket must be used to maintain NEMA 3R/4X/12 ratings.

cUL Yellow Card:

UL Online Certifications Directory

UCST8.S1290

Audible Signal Appliances, General Signal Certified for Canada - Component

Audible-signal Appliances, General Signal Certified for Canada - Component

MALLORY SONALERT PRODUCTS INC
4411 S HIGH SCHOOL RD
INDIANAPOLIS, IN 46241 USA

S1290

Audible tone generators, ZA aaa b c ddd (f9)


(f9) - Must be used with neoprene gasket type 4216-S to maintain enclosure NEMA Type Ratings 3R, 4X and 12.

aaa - Indicates voltage rating. May be 016, 028, 048 or 120.

b - Indicates sound level. May be L, M or S.

c - Indicates voltage type. May be A or D.

ddd - Indicates Sound Function. May be any combination of letters A through Z and/or numbers 0 through 9.

Marking: Company name or tradename "Mallory" , "Sonalert" , model designation and Recognized Component Mark for Canada, 

Last Updated on 2012-02-03

ZA Series- 22mm Panel Alarms

Sound Level vs Distance:

| Various Measurement Distances | ZA Series Sound Level Category | | |
|-------------------------------|--------------------------------|-----------------------------|---------------------------|
| | Loud 85 – 95 dB @ 2 ft | Medium 75 – 85 dB @ 2 ft | Soft 65 – 85 dB @ 2 ft |
| 10 cm (4 in) | 100 to 110 dB | 90 to 100 dB | 80 to 90 dB |
| 30 cm (1 ft) | 91 to 101 dB | 81 to 91 dB | 71 to 81 dB |
| 1 Meter | 82 to 92 dB | 72 to 82 dB | 62 to 72 dB |
| 10 ft | 71 to 81 dB | 61 to 71 dB | 51 to 61 dB |

The ZA Series of 22mm alarms measures sound level at 2 feet. Since sound level drops over distance, the above chart lists the equivalent sound levels at various distances.

For example, if the Mallory part is in the **LOUD** sound level category, it has a sound level of 85 to 95 dB at 2 feet. At 10 cm, the sound level would measure 100 to 110 dB.

Packaging:

- Standard orders are bulk packed.
- For individual box packaging, add one of the following part numbers to order:

| Part Number | Description |
|-------------|---------------------------|
| BOX | Individual box- no label |
| BOXLABEL | Individual box with label |

Accessories & Replacement Parts:

| Part Number | Description | Notes |
|-------------|-------------------------|------------------------|
| ACC06 | Replacement NEMA Gasket | Gasket comes with part |
| KNT1-01 | Replacement Nut | Nut comes with part |