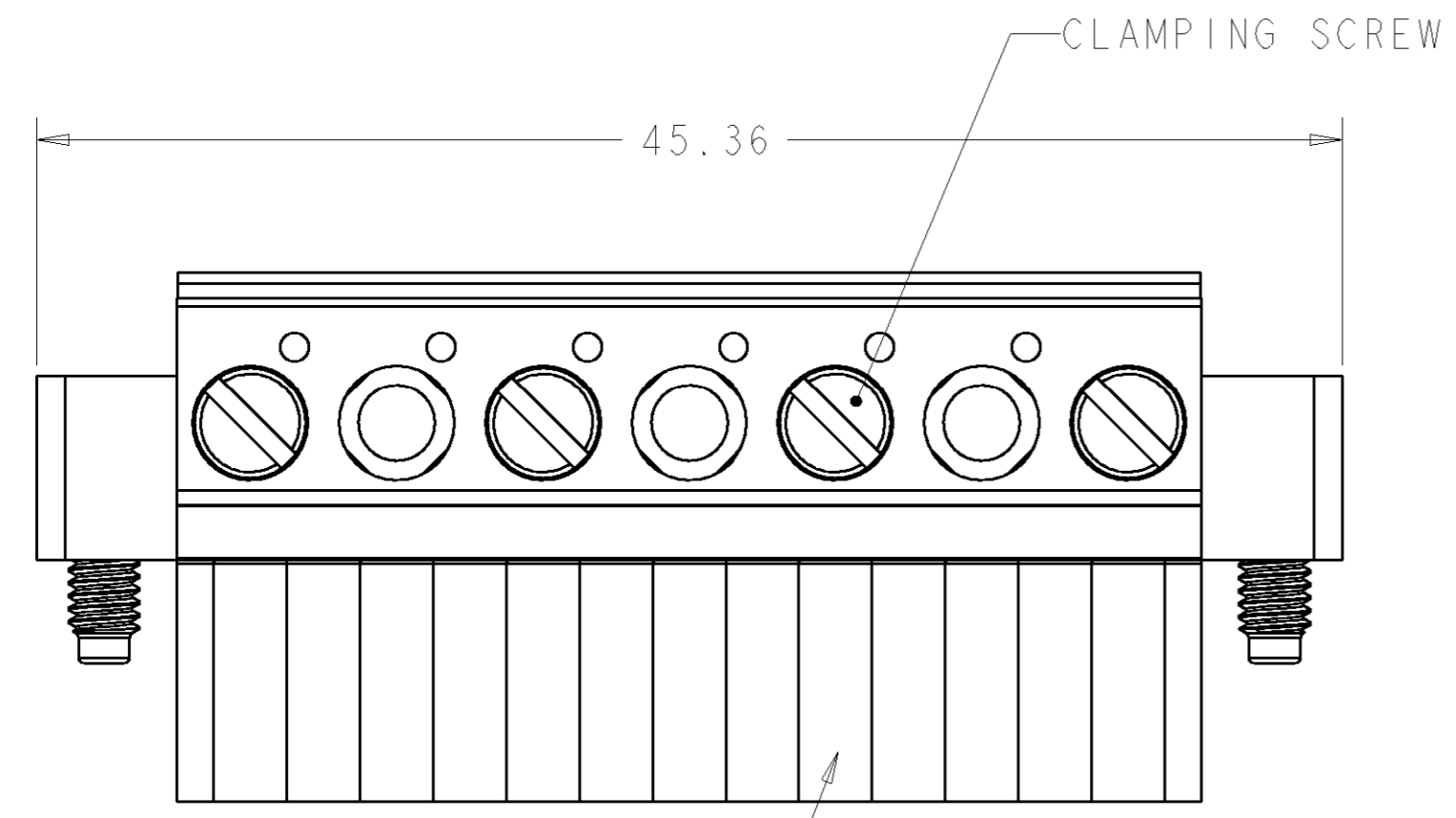
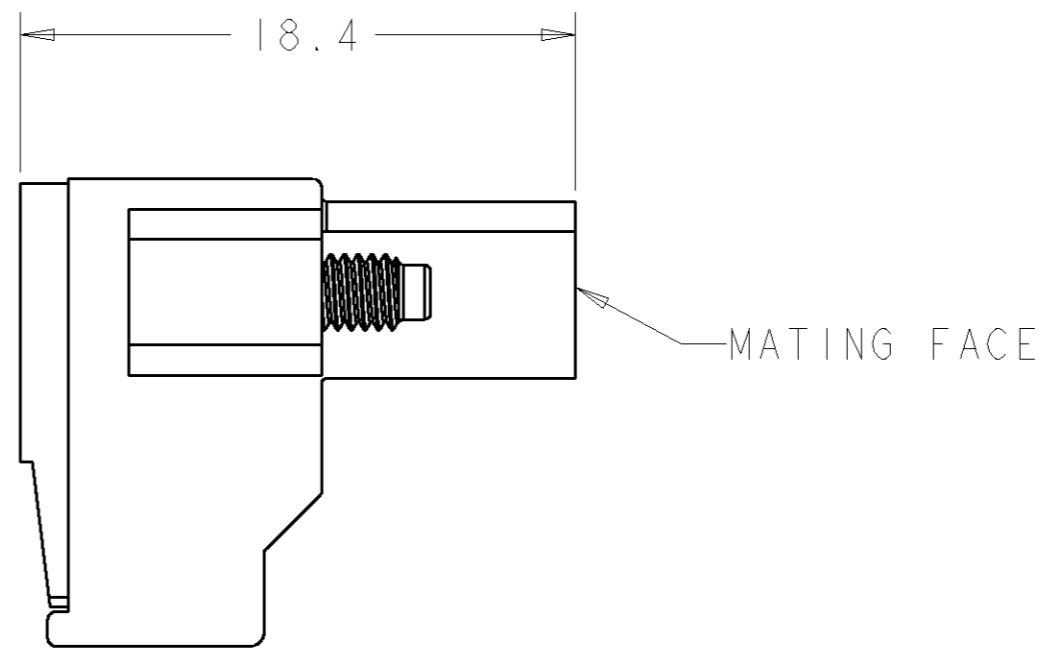
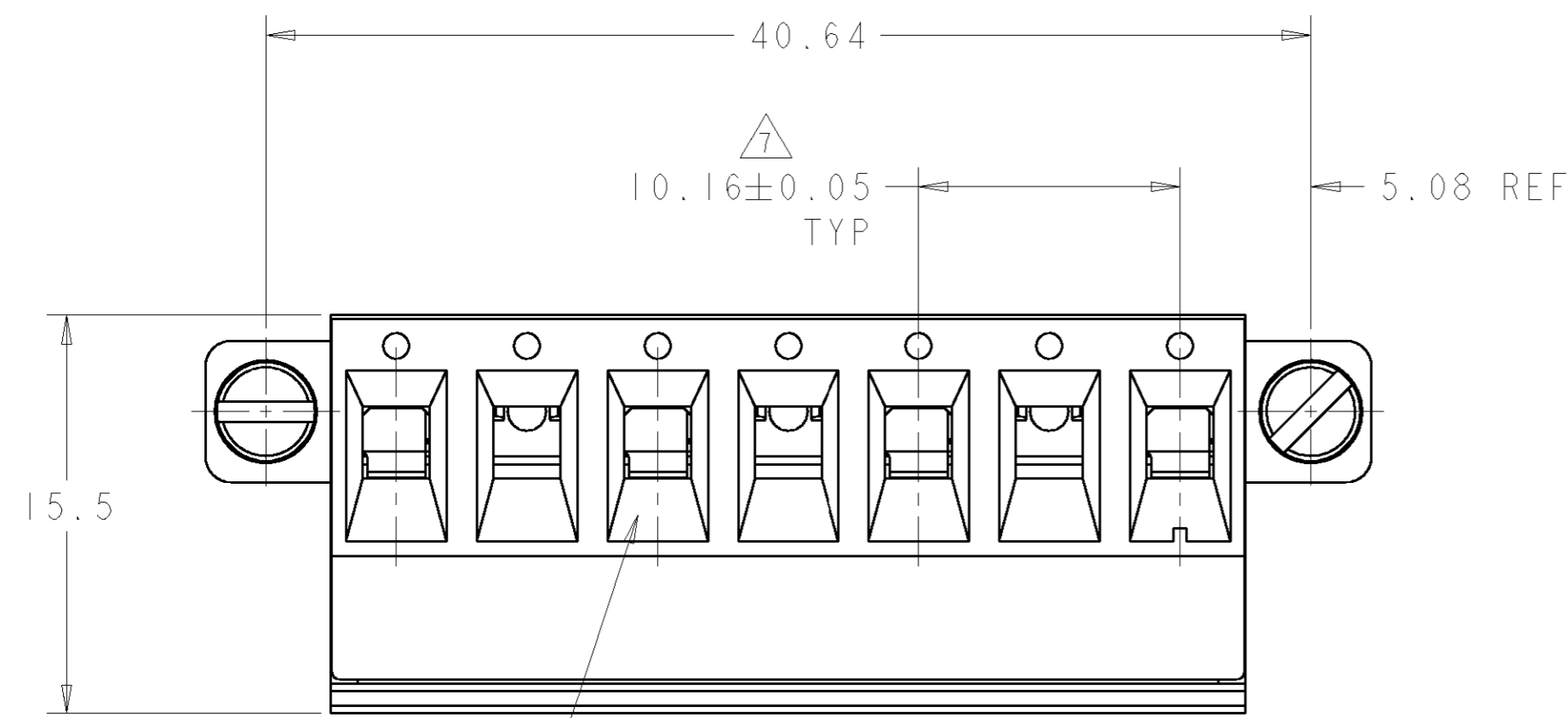


THIS DRAWING IS UNPUBLISHED. RELEASED FOR PUBLICATION 20
 © COPYRIGHT 20 BY TYCO ELECTRONICS CORPORATION. ALL RIGHTS RESERVED.

LOC	DIST	REVISIONS					
FT	0	P	LTR	DESCRIPTION	DATE	DWN	APVD
		0		RELEASED	-	-	-



- ⚠ MATERIALS AND FINISH:
 HOUSING: PA 6-6, UL 94-V0, COLOR: GREEN.
 TERMINAL: PHOSPHOR BRONZE, TIN PLATED.
- 2. SUITABLE FOR 1,6-2, 4mm PC BOARD THICKNESS.
- 3. WIRE SIZE RANGE: 12-30 AWG.
- 4. RECOGNIZED UNDER THE COMPONENT PROGRAM OF UNDERWRITERS LABORATORIES INC. FILE No. E60677.
- 5. IMQ CERTIFICATE WITH SURVEILLANCE ON CONFORMITY WITH IEC 998-1/998-2-1.
- ⚠ NOT CUMULATIVE TOLERANCE.

4	1546678-4
NO. OF POSN	PART NUMBER

THIS DRAWING IS A CONTROLLED DOCUMENT FOR TYCO ELECTRONICS CORPORATION. IT IS SUBJECT TO CHANGE AND THE CONTROLLING ENGINEERING ORGANIZATION SHOULD BE CONTACTED FOR THE LATEST REVISION.		DWN S. WELDON 29APR2003	BUCHANAN Tyco Electronics Harrisburg, PA 17105-3608	
DIMENSIONS: mm		CHK C. RICHARD 29APR2003		
TOLERANCES UNLESS OTHERWISE SPECIFIED:		APVD C. RICHARD 29APR2003		
0 PLC ± 1 PLC ±0.3 2 PLC ±0.25 3 PLC ±0.000 4 PLC ±0.000 ANGLES ± FINISH		NAME PRODUCT SPEC APPLICATION SPEC WEIGHT		
MATERIAL		SIZE A2 CAGE CODE 00779 DRAWING NO. 1546678 RESTRICTED TO -		
CUSTOMER DRAWING		SCALE 4:1 SHEET 1 OF 1 REV 0		