



PRODUCT DATASHEET

Veronica series

last update 15/9/2016

DETAILS

Product Number	CA15230_VERONICA-SQ-MINI-M
Family	Veronica
Type	Assembly
Color	clear
Diameter	13,9+13,9 mm
Height	8,86 mm
Style	square
Optic Material	PMMA
Holder Material	
Fastening	tape, pin
Status	production ready
ROHS Compliant	Yes
Date Updated	15/09/2016



OPTICAL PROPERTIES

LED	Viewing Angle	Light Beam	Efficiency	cd/lm	Connector
XP-G2	34 deg	Medium	89 %	-	-
LUXEON Z ES	sim: 25	Medium	sim: 94 %	sim: 3.000	-
Z8Y22P	34 deg	Medium	93 %	1.600	-

D

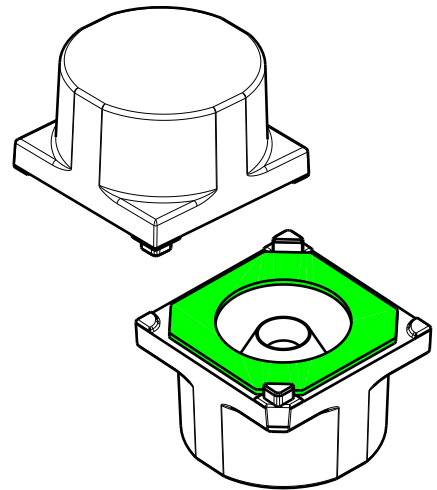
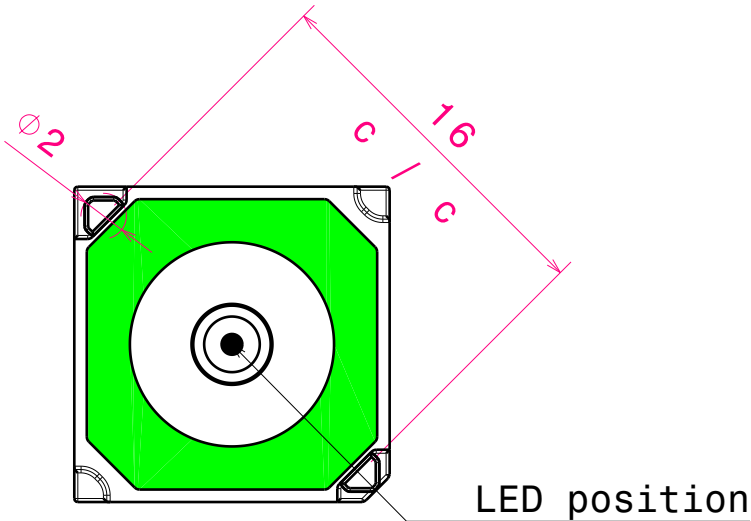
C

B

A

4

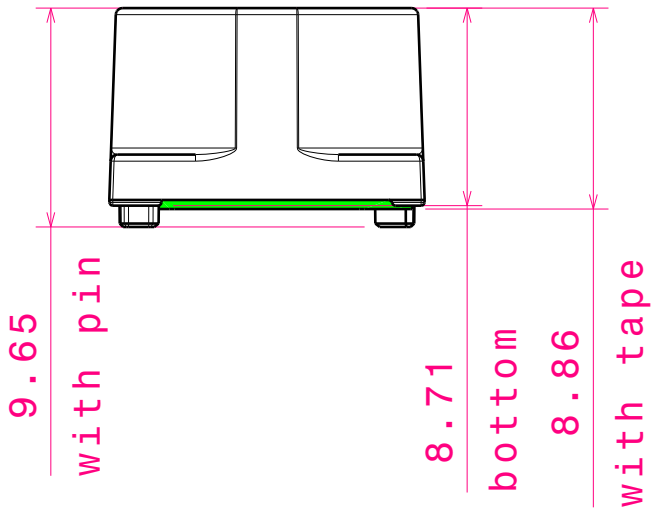
4



Isometric view
Scale: 2:1

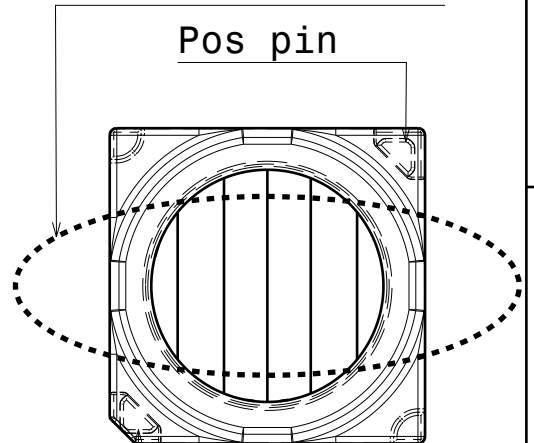
3

3



Oval direction

Pos pin

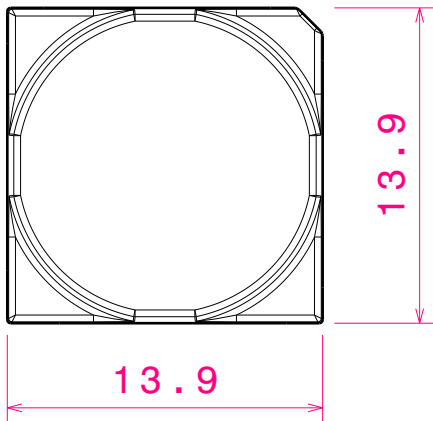


Pos pin

Oval version
TOP VIEW

2

2



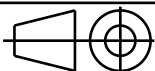
INDEX	DESCRIPTION
1	VERONICA-SQ-MINI-TAPE
2	VERONICA-SQ-MINI

Tolerances if not otherwise shown
According to DIN ISO 2768-1
Linear measures:
up to 30mm class M, otherwise class C
According to DIN ISO 2768-2
Form and position: class L

LEDiL

Ledil Oy
Salorankatu 10
FIN 24240 SALO
Finland

THIRD ANGLE PROJECTION:



DRAWING TITLE

VERONICA-SQ-MINI

This drawing is the property
of LEDiL Oy. It may not be
reproduced, copied or
communicated without a written
agreement with LEDiL Oy.

SIZE PART NUMBER

A4

-

SCALE 3:1 WEIGHT

SHEET 1/1

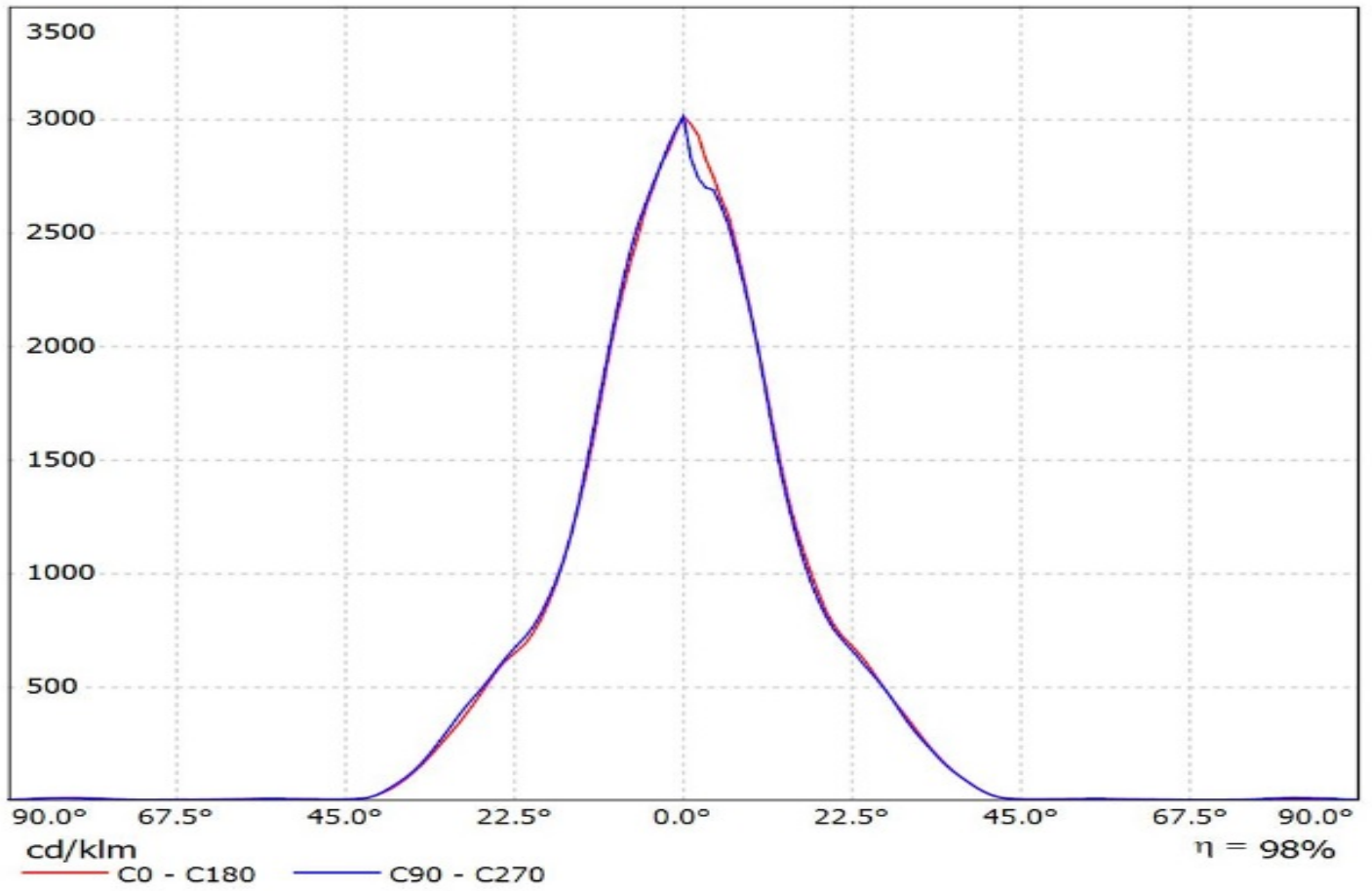
D

A

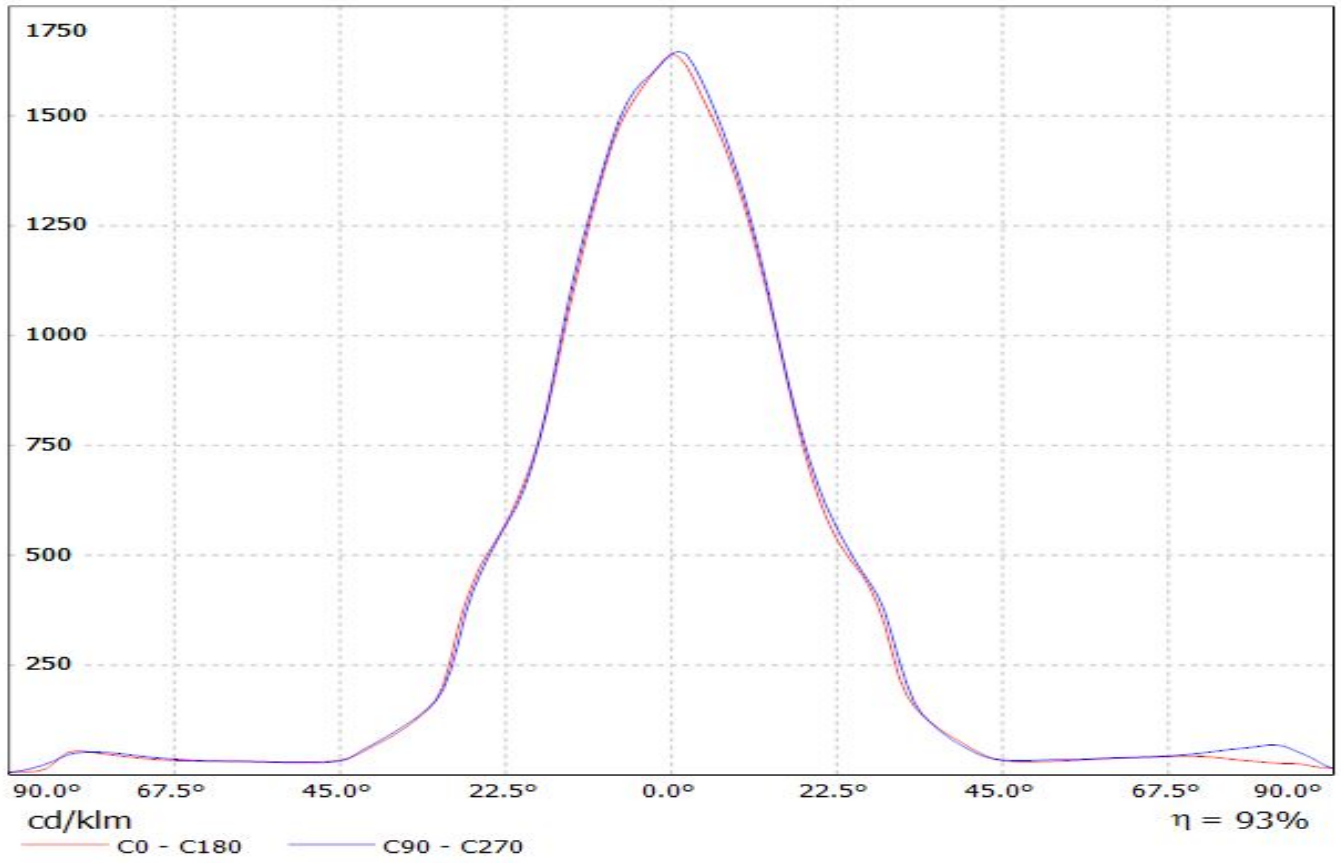
1

1

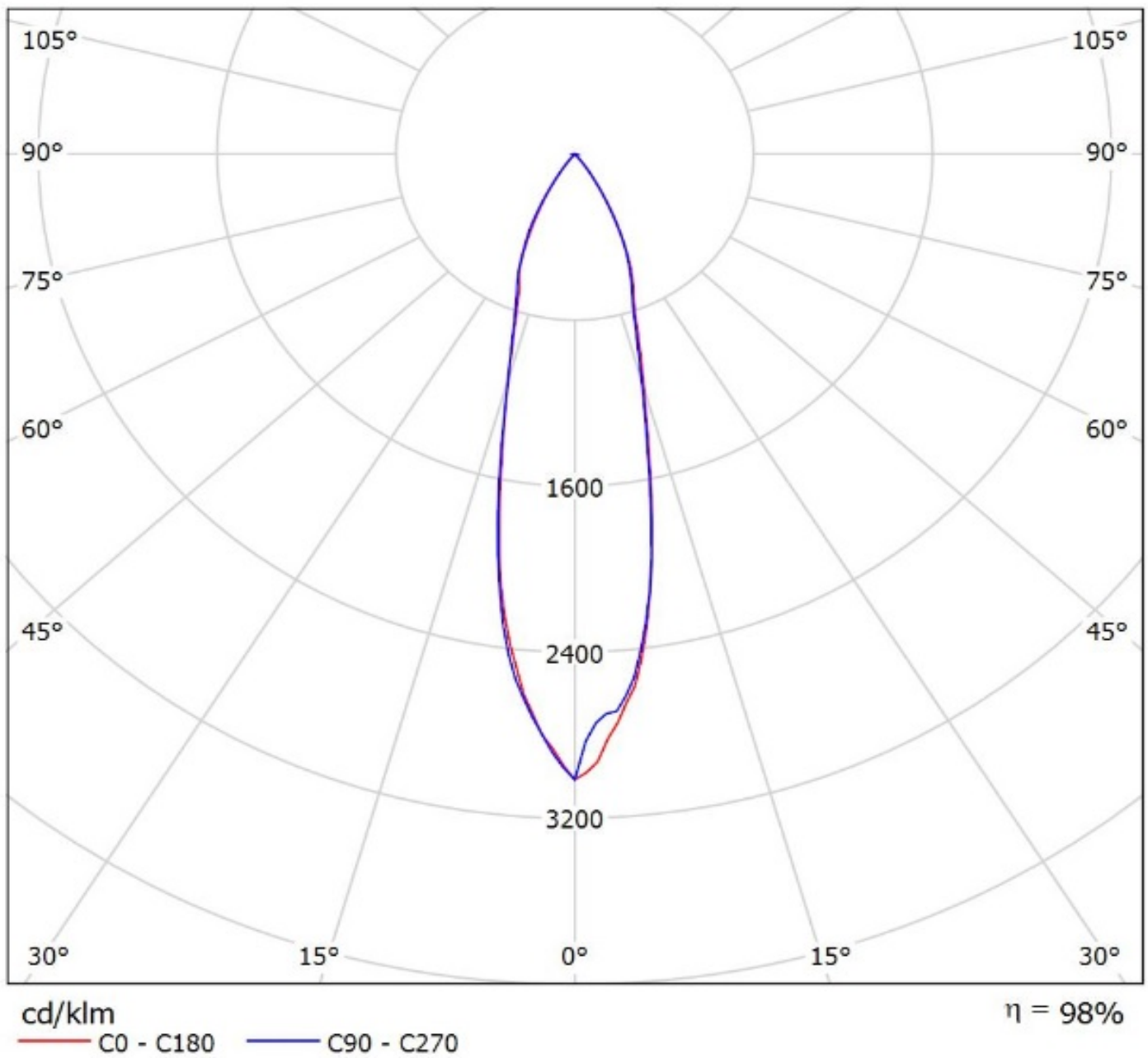
Luminaire: Ledil Oy CA15230_VERONICA-SQ-MINI-M_(Luxeon_Z_ES)_SIMULATED
Lamps: 1 x Lumileds Luxeon Z ES



Luminaire: LEDiL Oy CA15230_VERONICA-SQ-MINI-M_(Z8Y22plus)
Lamps: 1 x Seoul_Z8Y22plus_(W6E2G)_125.652lm@250mA_P=0.69312W_I=0.250A

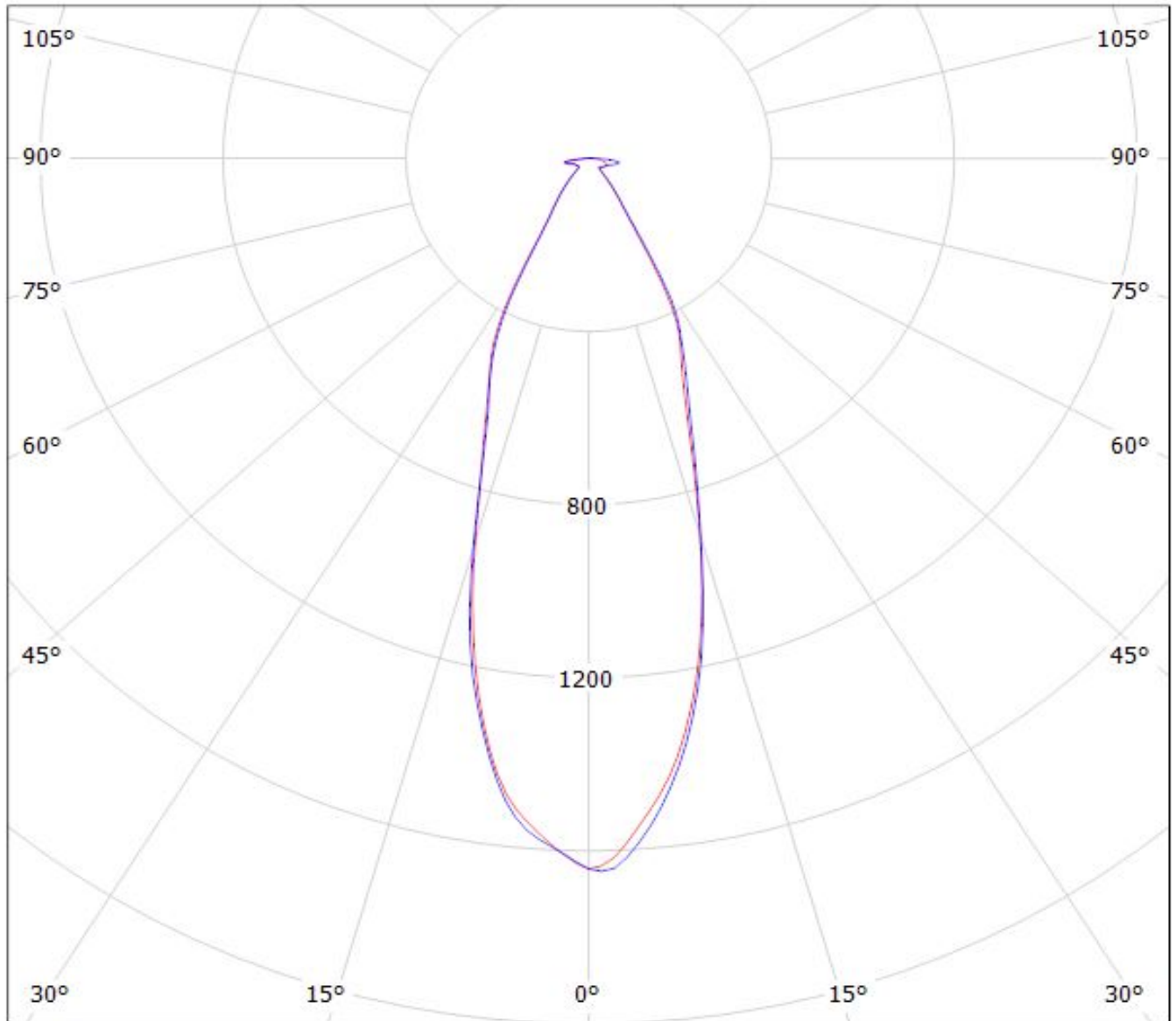


Luminaire: Ledil Oy CA15230_VERONICA-SQ-MINI-M_(Luxeon_Z_ES)_SIMULATED
Lamps: 1 x Lumileds Luxeon Z ES



Luminaire: LEDiL Oy CA15230_VERONICA-SQ-MINI-M (Z8Y22plus)

Lamps: 1 x Seoul_Z8Y22plus_(W6E2G)_125.652lm@250mA_P=0.69312W_I=0.250A



$\eta = 93\%$

cd/klm

— C0 - C180

— C90 - C270

NOTE: The typical divergence will be changed by different color, chip size and chip position tolerance. The typical total divergence is the full angle measured where the luminous intensity is half of the peak value.