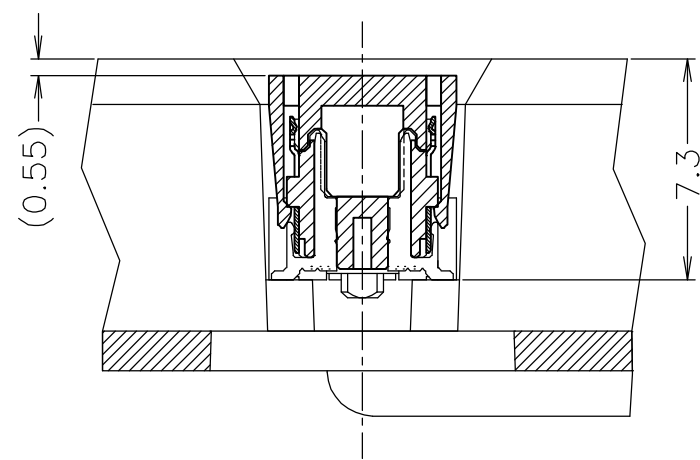
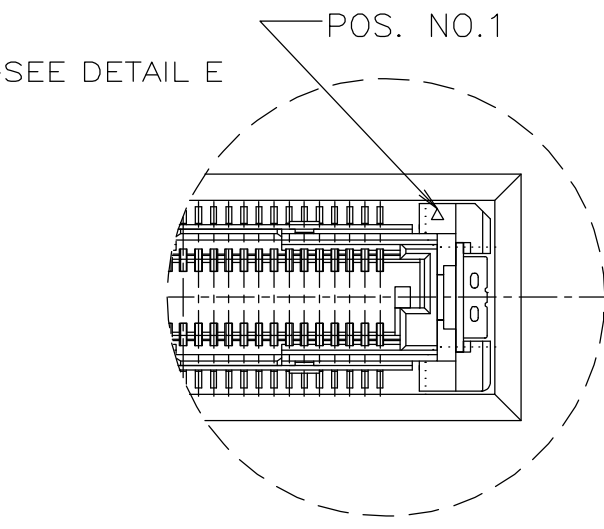
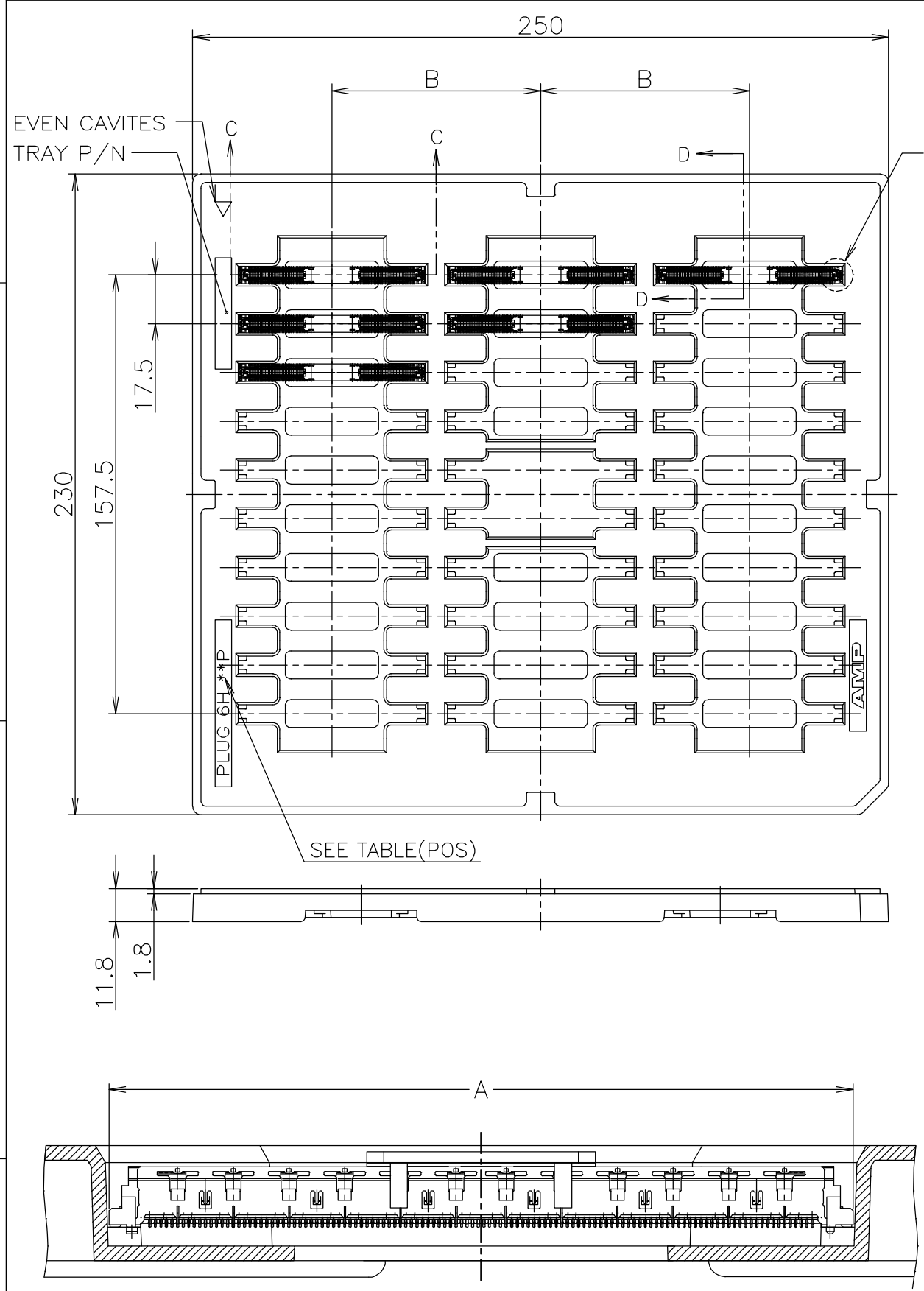


THIS DRAWING IS UNPUBLISHED. RELEASED FOR PUBLICATION MAR, 1999.
 © COPYRIGHT 1999 BY TYCO ELECTRONICS CORPORATION. ALL RIGHTS RESERVED.

| LOC | DIST | REVISIONS | | | | | |
|-----|------|-----------|----------|-------------|---------|-----|------|
| J | / | P | LTR | DESCRIPTION | DATE | DWN | APVD |
| | | A | RELEASED | | 12OCT05 | D.L | H.K |



| SIF COATING | TOOLING AVAIL | ROW | QTY | B | A | POS. | HSG COLOR | |
|-------------|---------------|-----|-----|----|------|------|-----------|-------------|
| | | | | | | | BLACK | NATURAL |
| N | | 3 | 30 | | 66.8 | 240 | | |
| Y | | | | | 61.8 | 220 | | 6-5353614-6 |
| N | | | | 75 | 56.8 | 200 | | |
| | | | | 70 | 51.8 | 180 | | |
| | | | | | 49.3 | 170 | | |
| | | | | | 46.8 | 160 | | |
| | | | | | 44.3 | 150 | | |
| | | 3 | 30 | 70 | 41.8 | 140 | | |
| | | 5 | 50 | 43 | 36.8 | 120 | | |
| | | | | | 31.8 | 100 | | |
| | | | | | 29.3 | 90 | | |
| | | | | | 26.8 | 80 | | |
| | | | | | 24.3 | 70 | | |
| | | | | | 21.8 | 60 | | |
| | | | | | 19.3 | 50 | | |
| | | | | | 16.8 | 40 | | |
| N | | 5 | 50 | 43 | 14.3 | 30 | | 3-5353614-7 |
| Y | | 3 | 30 | | 66.8 | 240 | | 1-5353614-6 |
| Y | | | | | 61.8 | 220 | | |
| N | | | | 75 | 56.8 | 200 | | |
| | | | | 70 | 51.8 | 180 | | |
| | | | | | 49.3 | 170 | | |
| | | | | | 46.8 | 160 | | |
| | | | | | 44.3 | 150 | | |
| | | 3 | 30 | 70 | 41.8 | 140 | | |
| | | 5 | 50 | 43 | 36.8 | 120 | | |
| | | | | | 31.8 | 100 | | |
| | | | | | 29.3 | 90 | | |
| | | | | | 26.8 | 80 | | |
| | | | | | 24.3 | 70 | | |
| | | | | | 21.8 | 60 | | |
| | | | | | 19.3 | 50 | | |
| | | | | | 16.8 | 40 | | |
| N | | 5 | 50 | 43 | 14.3 | 30 | | |

THIS DRAWING IS A CONTROLLED DOCUMENT.

DWN D.LIU 12OCT05
 CHK T.FUTATSUGI 12OCT05
 APVD W.KODAMA 12OCT05

tyco Electronics Tyco Electronics AMP K.K. Kawasaki, Japan

NAME: HARD TRAY ASSY
 FH 0.5BTB CONN. PLUG 6H WITH G-PLATE AND CAP

108-5560

APPLICATION SPEC

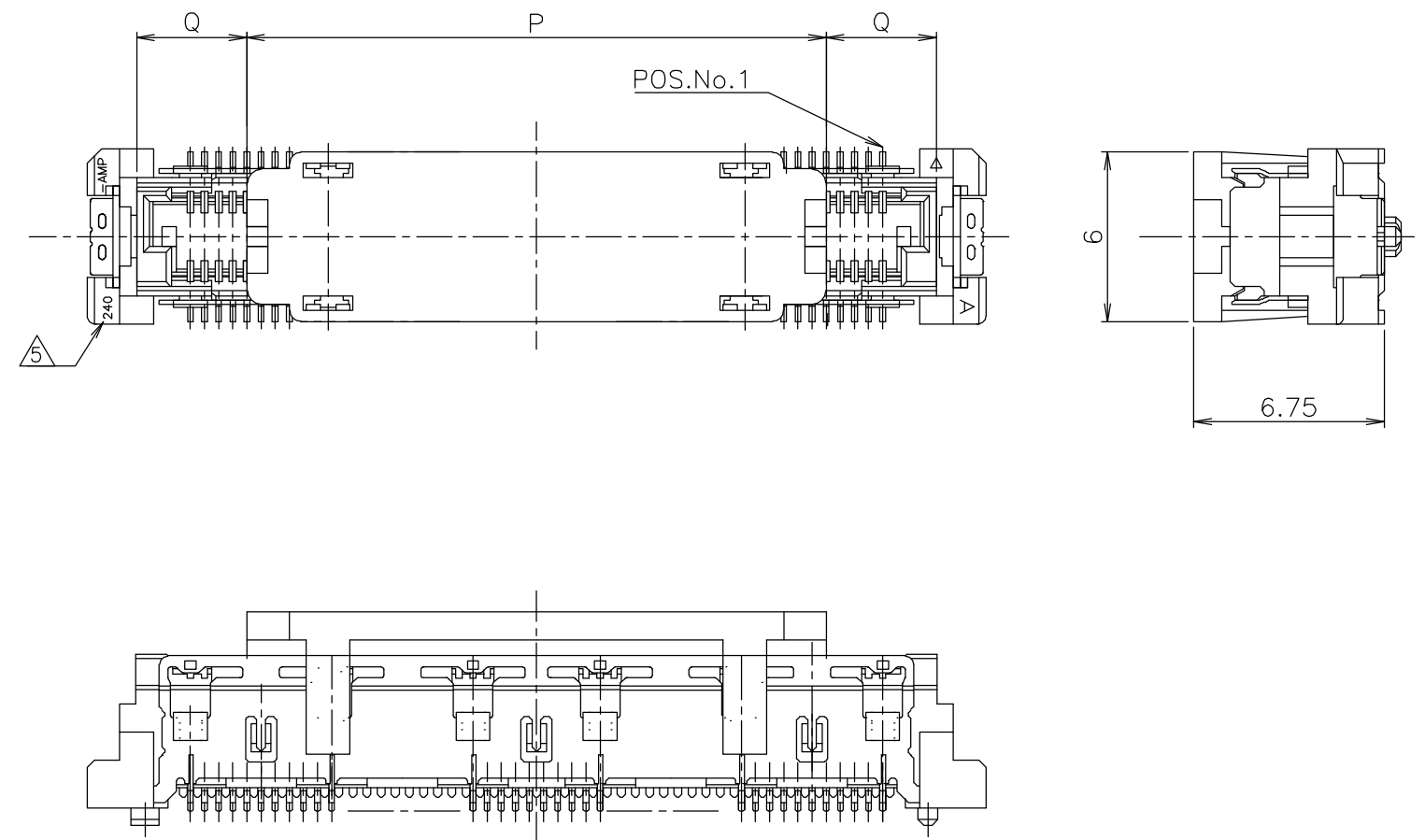
SIZE: A3 CAGE CODE: 00779 DRAWING NO: C-5353614 RESTRICTED TO: -

WEIGHT: -

CUSTOMER DRAWING SCALE: 1:2 SHEET: 1 OF 5 REV: A

THIS DRAWING IS UNPUBLISHED. RELEASED FOR PUBLICATION MAR , 1999.
 © COPYRIGHT 1999 BY TYCO ELECTRONICS CORPORATION. ALL RIGHTS RESERVED.

| LOC | DIST | REVISIONS | | | |
|-----|------|-------------|------|-----|------|
| P | LTR | DESCRIPTION | DATE | DWN | APVD |
| | | SEE SHEET 1 | - | - | - |



| | | |
|-------|------|------|
| 21.4 | 20.5 | 240 |
| 18.9 | ↑ | 220 |
| 16.4 | | 200 |
| 13.9 | | 180 |
| 12.65 | | 170 |
| 11.4 | | 160 |
| 10.15 | | 150 |
| 8.9 | ↓ | 140 |
| 6.4 | 20.5 | 120 |
| 8.9 | 10.5 | 100 |
| 7.65 | ↑ | 90 |
| 6.4 | | 80 |
| 5.15 | ↓ | 70 |
| 3.9 | 10.5 | 60 |
| 3.9 | 8 | 50 |
| 1.4 | 10.5 | 40 |
| 1.4 | 8 | 30 |
| Q | P | POS. |

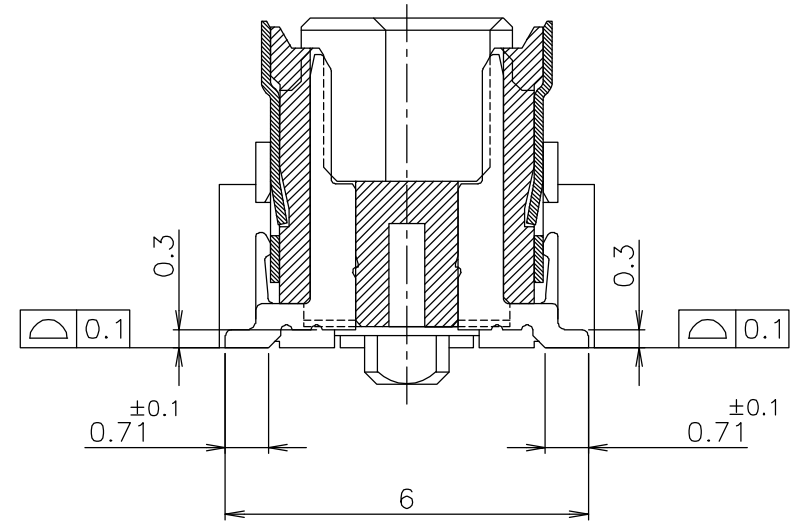
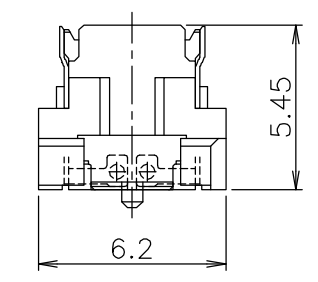
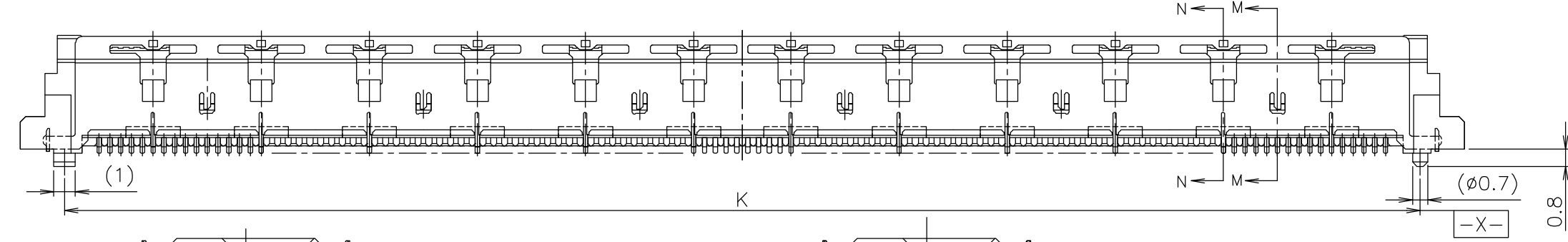
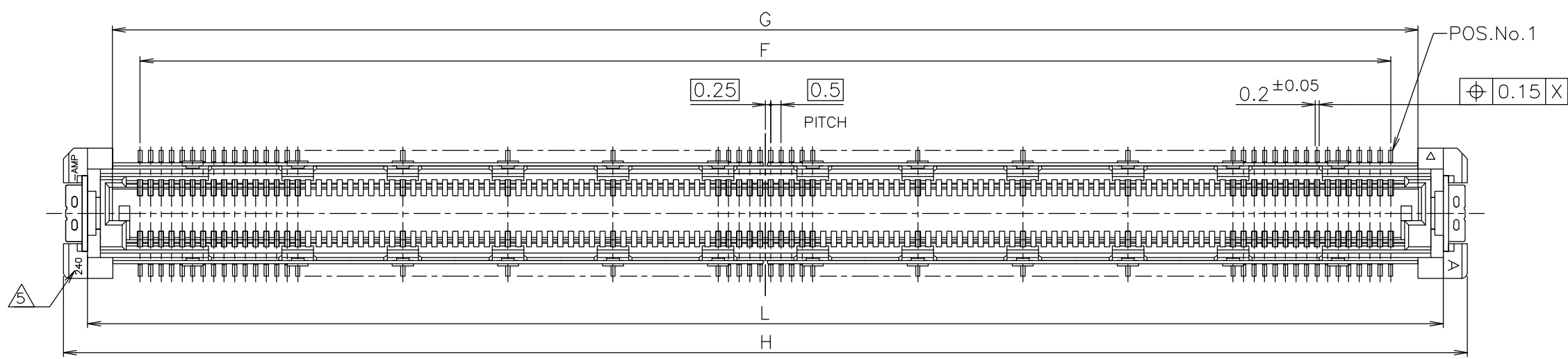
NOTES

- ① MATERIAL ; HOUSING : HIGH TEMP THERMO PLASTIC UL94V-0
- ② FINISH ; SIGNAL CONTACT : UNDER PL Ni 0.0013mm MIN ALL OVER.
CONTACT AREA 0.0002mm MIN Au PL.
SOLDERING AREA 0.001mm MIN TIN PL.
GROUND CONTACT : UNDER PL Ni 0.0013mm MIN ALL OVER.
CONTACT AREA 0.0002mm MIN Au PL.
SOLDERING AREA 0.001mm MIN TIN PL.
SOLDER PEG : 0.001mm MIN TIN PL. OVER
0.0013mm MIN Ni PL ALL OVER.
- ③ THIS POSITION IS GROUND CIRCUIT.
- ④ THIS PRODUCT WAS COATED BY ANTI-FLUX-PENETRATION AGENT.
- ⑤ NO. OF CIRCUIT (DEPEND ON CONNECTOR POS).

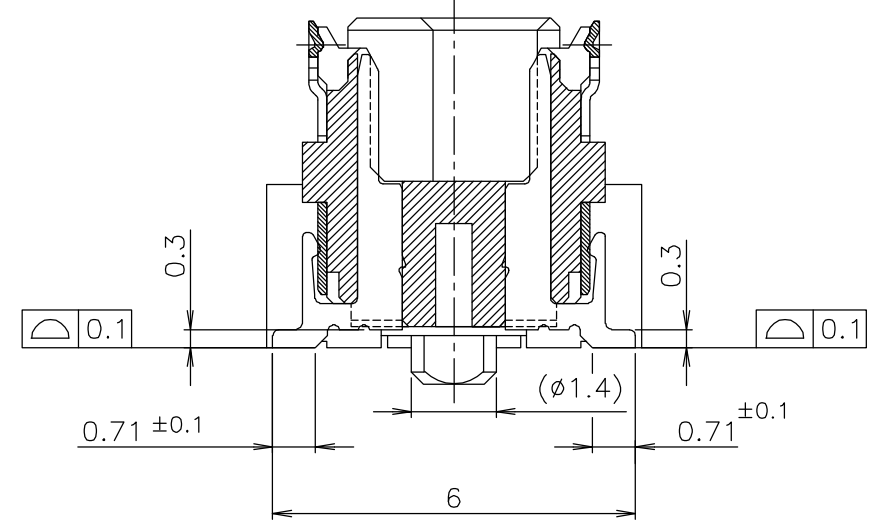
| | | | | | |
|--|--|------------------|---|-----------|------------|
| THIS DRAWING IS A CONTROLLED DOCUMENT. | | DWN | Tyco Electronics AMP K.K. Kawasaki.Japan | | |
| DIMENSIONS: MM | | CHK | | | |
| TOLERANCES UNLESS OTHERWISE SPECIFIED: | | APVD | NAME | | |
| 0 PLC ± - | | PRODUCT SPEC | HARD TRAY ASSY | | |
| 1 PLC ± - | | APPLICATION SPEC | FH 0.5BTB CONN. PLUG 6H | | |
| 2 PLC ± - | | WEIGHT | SIZE | CAGE CODE | DRAWING NO |
| 3 PLC ± - | | CUSTOMER DRAWING | A3 | 00779 | C-5353614 |
| 4 PLC ± - | | | SCALE | SHEET | OF |
| ANGLES ± - | | | 4:1 | 2 | 5 |
| FINISH | | | | | A |

THIS DRAWING IS UNPUBLISHED. RELEASED FOR PUBLICATION MAR , 1999.
 © COPYRIGHT 1999 BY TYCO ELECTRONICS CORPORATION. ALL RIGHTS RESERVED.

| LOC | DIST | REVISIONS | | | | | |
|-----|------|-----------|-----|-------------|------|-----|------|
| J | / | P | LTR | DESCRIPTION | DATE | DWN | APVD |
| | | | - | SEE SHEET 1 | - | - | - |



SECT. M-M
(SIGNAL POSITION)
(SCALE 8:1)



SECT. N-N
(GRAND POSITION)
(SCALE 8:1)

| | | | | | |
|------|------|------|------|------|------|
| 64.5 | 62.7 | 66.8 | 62.1 | 59.5 | 240 |
| 59.5 | 57.7 | 61.8 | 57.1 | 54.5 | 220 |
| 54.5 | 52.7 | 56.8 | 52.1 | 49.5 | 200 |
| 49.5 | 47.7 | 51.8 | 47.1 | 44.5 | 180 |
| 47 | 45.2 | 49.3 | 44.6 | 42 | 170 |
| 44.5 | 42.7 | 46.8 | 42.1 | 39.5 | 160 |
| 42 | 40.2 | 44.3 | 39.6 | 37 | 150 |
| 39.5 | 37.7 | 41.8 | 37.1 | 34.5 | 140 |
| 34.5 | 32.7 | 36.8 | 32.1 | 29.5 | 120 |
| 29.5 | 27.7 | 31.8 | 27.1 | 24.5 | 100 |
| 27 | 25.2 | 29.3 | 24.6 | 22 | 90 |
| 24.5 | 22.7 | 26.8 | 22.1 | 19.5 | 80 |
| 22 | 20.2 | 24.3 | 19.6 | 17 | 70 |
| 19.5 | 17.7 | 21.8 | 17.1 | 14.5 | 60 |
| 17 | 15.2 | 19.3 | 14.6 | 12 | 50 |
| 14.5 | 12.7 | 16.8 | 12.1 | 9.5 | 40 |
| 12 | 10.2 | 14.3 | 9.6 | 7 | 30 |
| L | K | H | G | F | POS. |

| | | | | | | |
|--|--|------------------|--|-----------|------------|---------------|
| THIS DRAWING IS A CONTROLLED DOCUMENT. | | DWN | Tyco Electronics AMP K.K. Kawasaki, Japan | | | |
| DIMENSIONS: MM | | CHK | | | | |
| TOLERANCES UNLESS OTHERWISE SPECIFIED: | | APVD | NAME | | | |
| 0 PLC ± - | | PRODUCT SPEC | HARD TRAY ASSY | | | |
| 1 PLC ± - | | APPLICATION SPEC | FH 0.5BTB CONN. PLUG 6H | | | |
| 2 PLC ± - | | WEIGHT | WITH G-PLATE AND CAP | | | |
| 3 PLC ± - | | CUSTOMER DRAWING | SIZE | CAGE CODE | DRAWING NO | RESTRICTED TO |
| 4 PLC ± - | | | A3 | 00779 | C-5353614 | |
| MATERIAL | | SCALE | SHEET | | REV | |
| FINISH | | 4:1 | 3 OF 5 | | A | |

4

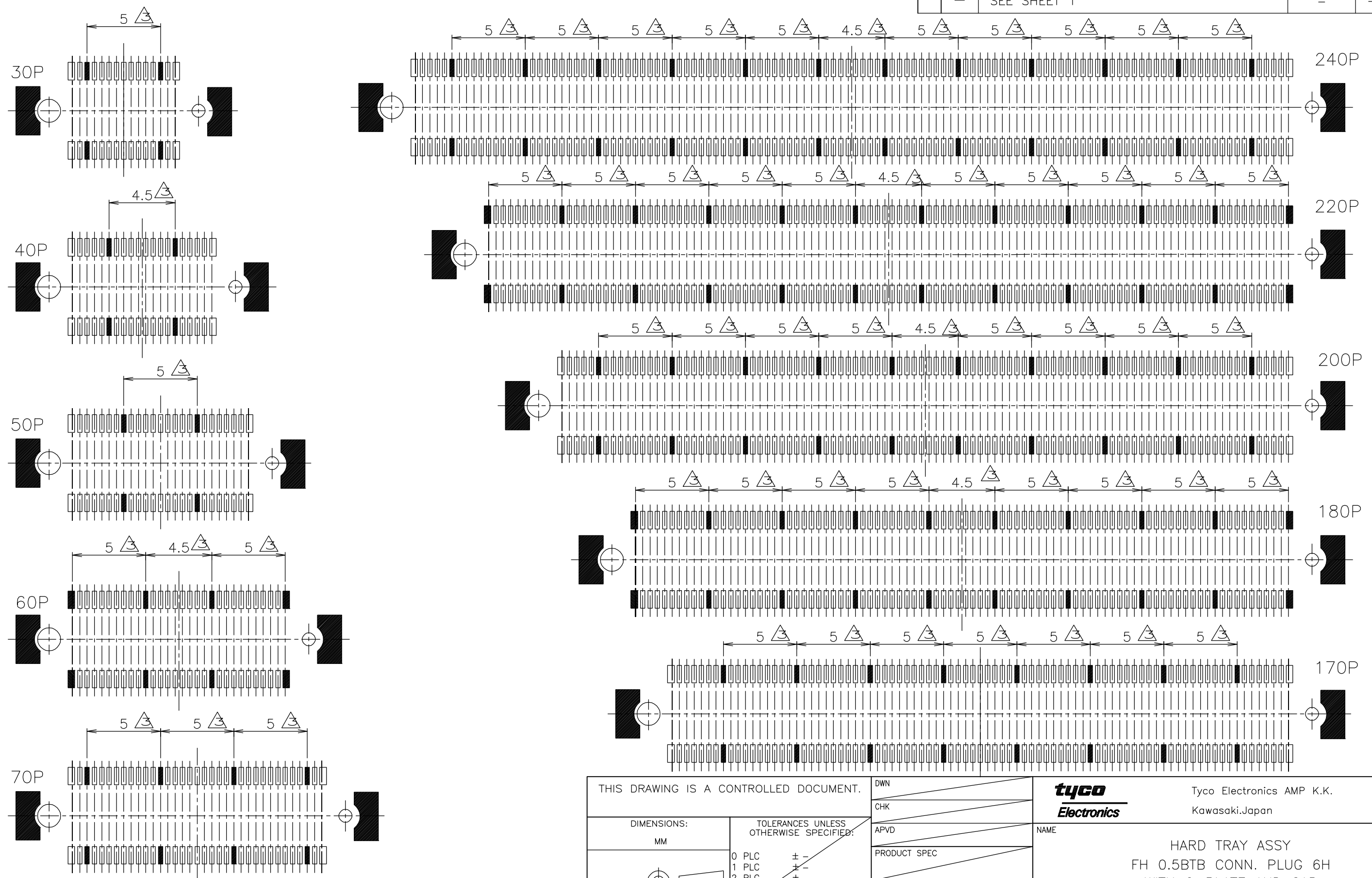
3

2

1

THIS DRAWING IS UNPUBLISHED. RELEASED FOR PUBLICATION MAR , 1999.
 © COPYRIGHT 1999 BY TYCO ELECTRONICS CORPORATION. ALL RIGHTS RESERVED.

| | | | | |
|-----|------|-------------|-----|-------------|
| LOC | DIST | REVISIONS | | |
| J | / | P | LTR | DESCRIPTION |
| | | | | DATE |
| | | | | DWN |
| | | | | APVD |
| | | SEE SHEET 1 | | |
| | | | | |



| | | | | |
|---|--|------------------|---|-----------|
| THIS DRAWING IS A CONTROLLED DOCUMENT. | | DWN | Tyco Electronics AMP K.K. Kawasaki, Japan | |
| DIMENSIONS: MM | | CHK | | |
| TOLERANCES UNLESS OTHERWISE SPECIFIED: 0 PLC ± - 1 PLC ± - 2 PLC ± - 3 PLC ± - 4 PLC ± - ANGLES ± - FINISH | | APVD | NAME | |
| MATERIAL | | PRODUCT SPEC | HARD TRAY ASSY FH 0.5BTB CONN. PLUG 6H WITH G-PLATE AND CAP | |
| | | APPLICATION SPEC | SIZE | CAGE CODE |
| | | WEIGHT | DRAWING NO | |
| | | CUSTOMER DRAWING | A3 | 00779 |
| | | SCALE | RESTRICTED TO | |
| | | 4:1 | G-5353614 | |
| | | SHEET | 5 | OF 5 |
| | | REV | A | |